

DATA SHEET



Single Phase Induction Motor - Squirrel Cage

Customer :						
Product line : General Single-Phase		Product code : 10016384				
		Catalog # : 00536ES1E184TC				
Frame : 184TC Output : 5 HP (3.7 kW) Poles : 2 Frequency : 60 Hz Rated voltage : 208-230/460 V Rated current : 22.5-21.0/10.5 A L. R. Amperes : 176-164/81.9 A LRC : 7.8x(Code J) No load current : 6.90-8.00/4.00 A Rated speed : 3500 rpm Slip : 2.78 % Rated torque : 7.40 ft.lb Locked rotor torque : 280 % Breakdown torque : 260 % Insulation class : F Service factor : 1.15 Moment of inertia (J) : 0.1906 sq.ft.lb		Locked rotor time : 14s (cold) 8s (hot) Temperature rise : 80 K Duty cycle : Cont.(S1) Ambient temperature : -20°C to +40°C Altitude : 1000 m.a.s.l. Protection degree : IP55 Cooling method : IC411 - TEFC Mounting : F-1 Rotation ¹ : Both (CW and CCW) Starting method : Direct On Line Approx. weight ³ : 102 lb				
Output	25%	50%	75%	100%		
Efficiency (%)	79.2	80.0	82.5	83.0		
Power Factor	0.52	0.81	0.89	0.92		
Foundation loads						
Max. traction : 72 lb						
Max. compression : 174 lb						
		<u>Drive end</u>		<u>Non drive end</u>		
Bearing type	:	6307 ZZ		6206 ZZ		
Sealing	:	V'Ring		V'Ring		
Lubrication interval	:	-		-		
Lubricant amount	:	-		-		
Lubricant type	:	Mobil Polyrex EM				
Notes						
This revision replaces and cancel the previous one, which must be eliminated. (1) Looking the motor from the shaft end. (2) Measured at 1m and with tolerance of +3dB(A). (3) Approximate weight subject to changes after manufacturing process. (4) At 100% of full load.			These are average values based on tests with sinusoidal power supply, subject to the tolerances stipulated in NEMA MG-1.			
Rev.	Changes Summary			Performed	Checked	Date
Performed by						
Checked by					Page	Revision
Date	05/12/2019				1 / 2	

LOAD PERFORMANCE CURVE

Single Phase Induction Motor - Squirrel Cage



Customer :

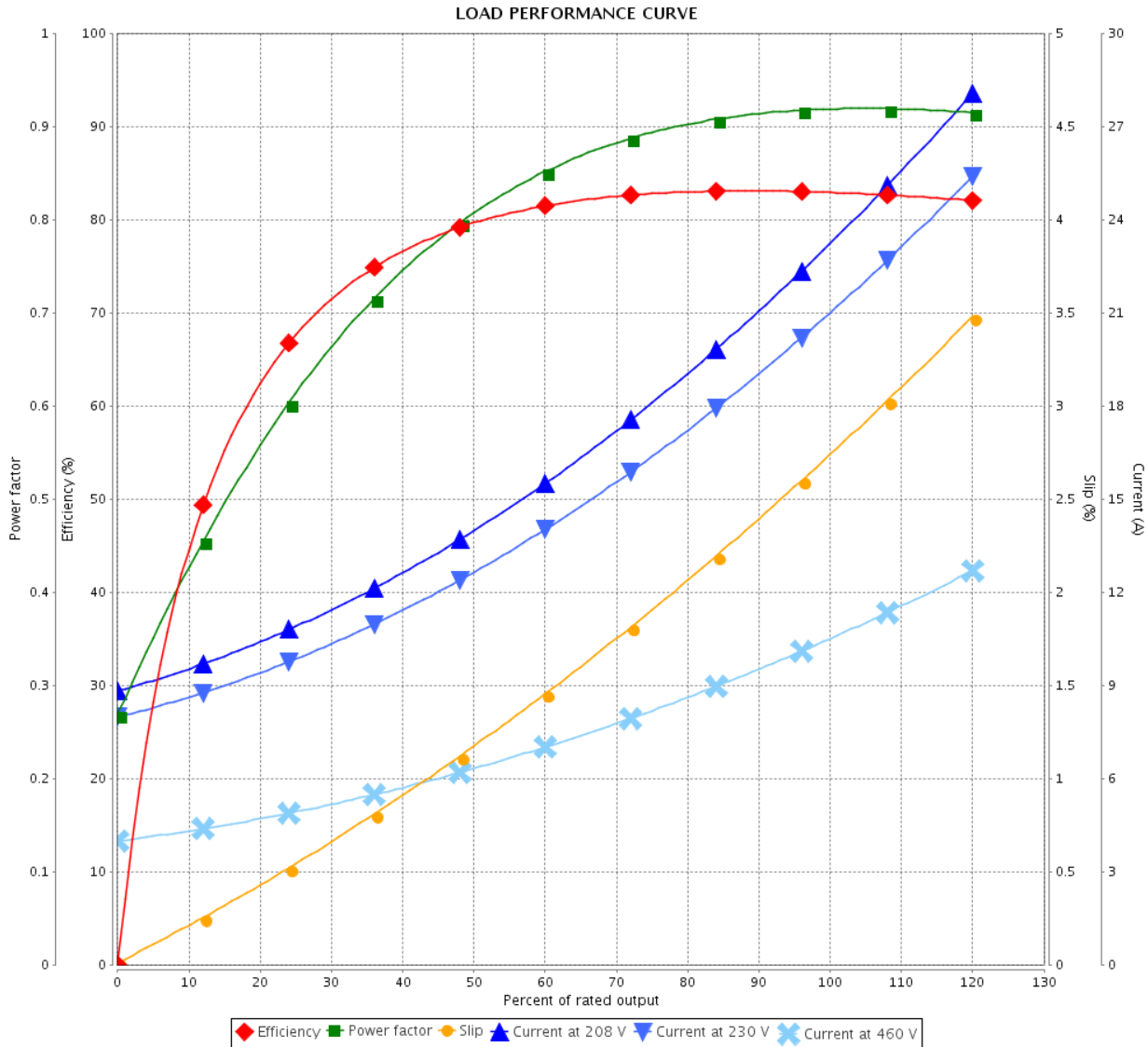
Product line : General Single-Phase

Product code :

10016384

Catalog # :

00536ES1E184TC



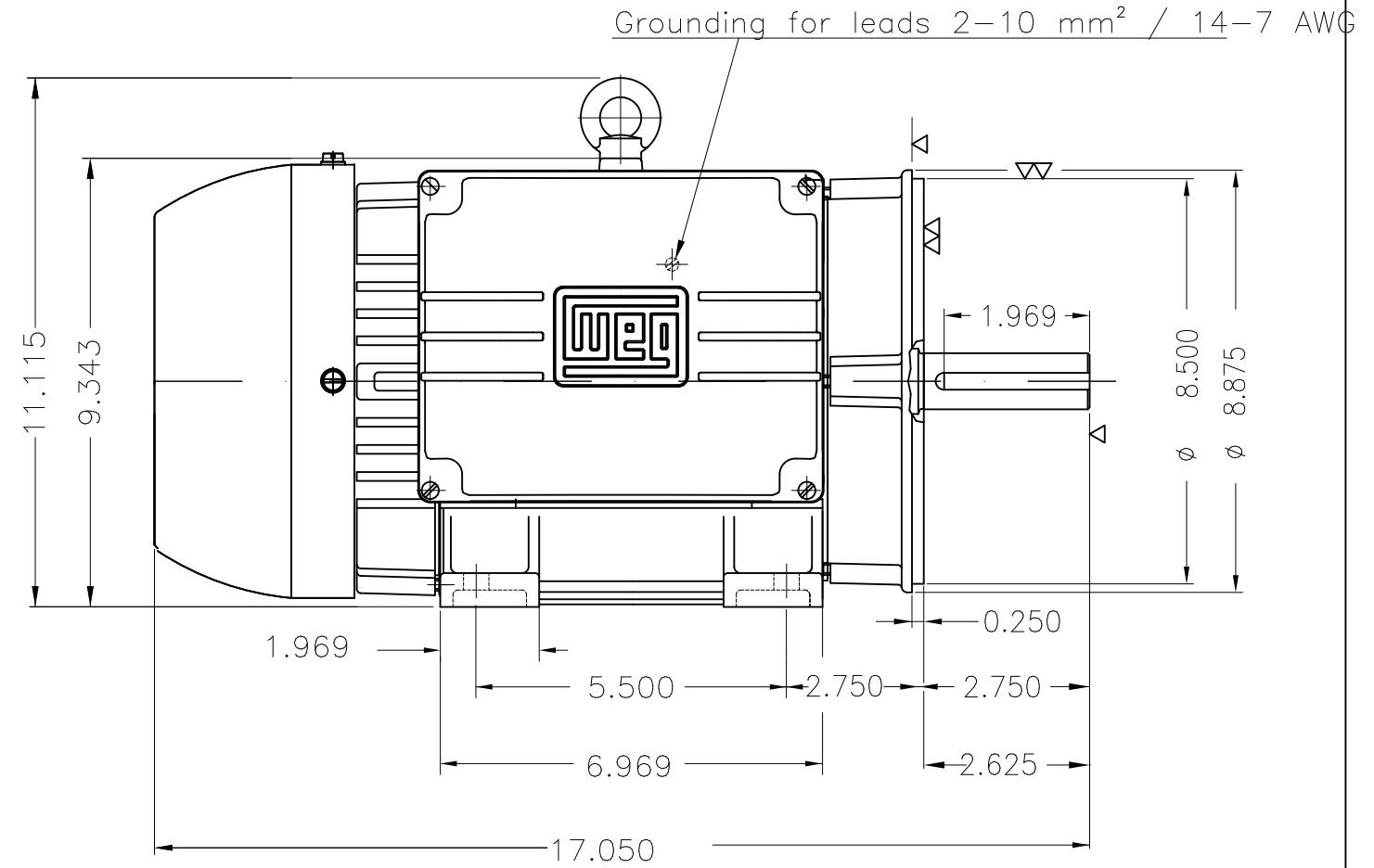
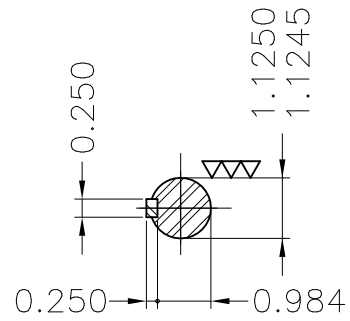
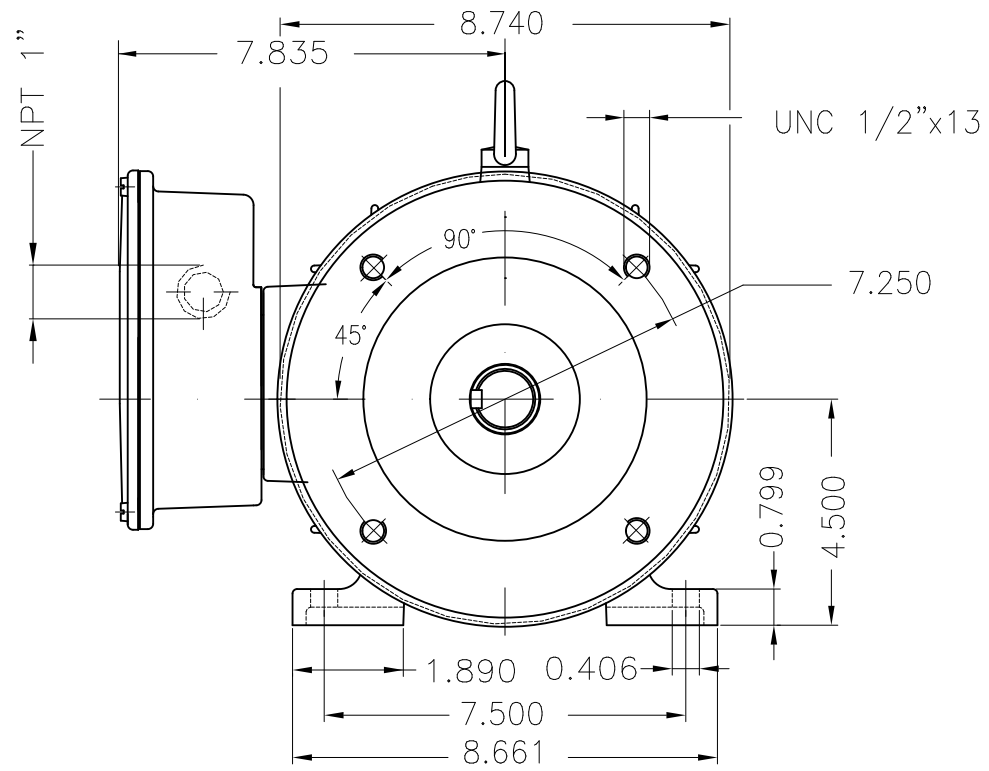
Performance : 208-230/460 V 60 Hz 2P

Rated current : 22.5-21.0/10.5 A
 LRC : 7.8
 Rated torque : 7.40 ft.lb
 Locked rotor torque : 280 %
 Breakdown torque : 260 %
 Rated speed : 3500 rpm

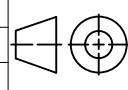
Moment of inertia (J) : 0.1906 sq.ft.lb
 Duty cycle : Cont.(S1)
 Insulation class : F
 Service factor :
 Temperature rise : 80 K

Rev.	Changes Summary	Performed	Checked	Date
Performed by			Page 2 / 2	Revision
Checked by				
Date	05/12/2019			

THIS IS AN UPDATED REVISION, THE PREVIOUS ONE MUST BE DISREGARDED.



Bearing cap
Mounting B34R(D)

ECM	LOC	SUMMARY OF MODIFICATIONS	EXECUTED	CHECKED	RELEASED	DATE	VER
EXECUTED	USERADMIN	 SINGLE PHASE MOTOR FRAME 184TC IP55 TEFC WEG code: 10016384					
CHECKED							
RELEASED							
REL DT	05.12.2019	WMO Jaragua do Sul	Product Engineering	SHEET	1 / 1		

5 HP 02 Poles 60Hz

A