

DATA SHEET

Three Phase Induction Motor - Squirrel Cage



Customer					
Product line		: ODP NEMA Premium Efficiency Three-Phase	Product code :		11803000
			Catalog # :		04012OT3E364TC
Frame		: 364/5TC	Cooling method		: IC01 - ODP
Insulation class		: F	Mounting		: F-1
Duty cycle		: Cont.(S1)	Rotation ¹		: Both (CW and CCW)
Ambient temperature		: -20°C to +40°C	Starting method		: Direct On Line
Altitude		: 1000 m.a.s.l.	Approx. weight ²		: 836 lb
Protection degree		: IP23	Moment of inertia (J)		: 23.5 sq.ft.lb
Design		: B			
Output [HP]	40	40	40	40	40
Poles	6	6	6	6	6
Frequency [Hz]	60	50	50	50	50
Rated voltage [V]	208-230/460	380	400	415	415
Rated current [A]	104-94.2/47.1	57.0	54.1	52.8	52.8
L. R. Amperes [A]	697-631/316	382	362	354	354
LRC [A]	6.7x(Code G)	6.7x(Code G)	6.7x(Code G)	6.7x(Code H)	6.7x(Code H)
No load current [A]	32.8-38.0/19.0	18.8	20.0	21.1	21.1
Rated speed [RPM]	1185	980	980	985	985
Slip [%]	1.25	2.00	2.00	1.50	1.50
Rated torque [ft.lb]	175	211	211	210	210
Locked rotor torque [%]	210	160	190	200	200
Breakdown torque [%]	260	210	229	250	250
Service factor	1.15	1.15	1.15	1.15	1.15
Temperature rise	80 K	80 K	80 K	80 K	80 K
Locked rotor time	43s (cold) 24s (hot)	43s (cold) 24s (hot)	43s (cold) 24s (hot)	43s (cold) 24s (hot)	43s (cold) 24s (hot)
Noise level ²	67.0 dB(A)	67.0 dB(A)	67.0 dB(A)	67.0 dB(A)	67.0 dB(A)
Efficiency (%)	25%	93.5	92.8	92.8	92.9
	50%	93.6	93.0	93.0	93.0
	75%	94.1	93.0	93.0	93.0
	100%	94.1	93.0	93.0	93.0
Power Factor	25%	0.44	0.50	0.47	0.44
	50%	0.71	0.76	0.73	0.71
	75%	0.80	0.83	0.81	0.80
	100%	0.85	0.86	0.86	0.85
Bearing type		: <u>Drive end</u> 6314 C3 <u>Non drive end</u> 6314 C3	Foundation loads		
Sealing		: Without Without	Max. traction : 1409 lb		
		Bearing Seal Bearing Seal	Max. compression : 2245 lb		
Lubrication interval		: 20000 h 20000 h			
Lubricant amount		: 27 g 27 g			
Lubricant type		: Mobil Polyrex EM			
Notes					
This revision replaces and cancel the previous one, which must be eliminated. (1) Looking the motor from the shaft end. (2) Measured at 1m and with tolerance of +3dB(A). (3) Approximate weight subject to changes after manufacturing process. (4) At 100% of full load.			These are average values based on tests with sinusoidal power supply, subject to the tolerances stipulated in NEMA MG-1.		
Rev.	Changes Summary		Performed	Checked	Date
Performed by					
Checked by				Page	Revision
Date	08/11/2019			1 / 21	

TORQUE AND CURRENT VS SPEED CURVE

Three Phase Induction Motor - Squirrel Cage

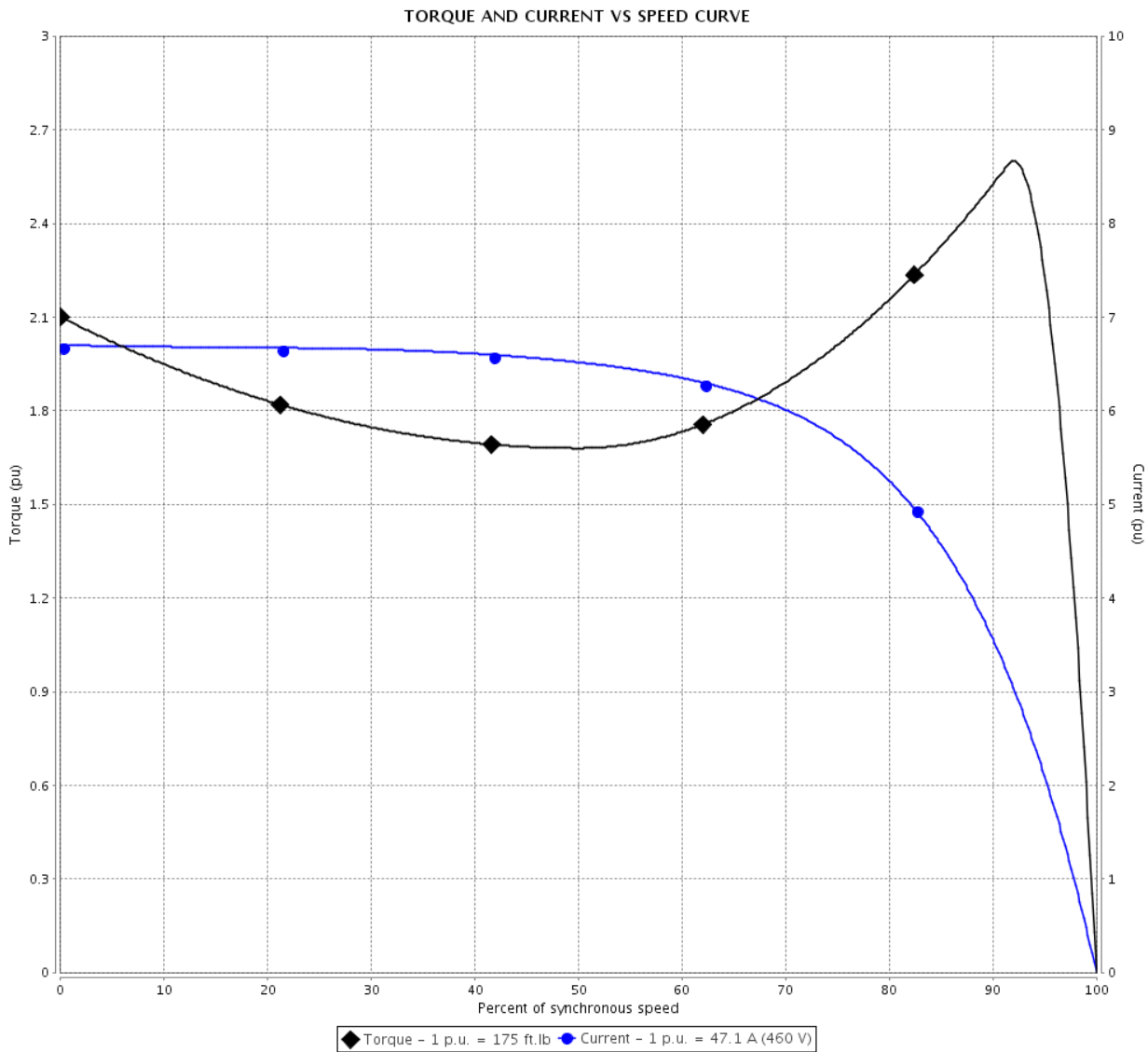


Customer :

Product line : ODP NEMA Premium Efficiency
Three-Phase

Product code : 11803000

Catalog # : 040120T3E364TC



Performance : 208-230/460 V 60 Hz 6P

Rated current	: 104-94.2/47.1 A	Moment of inertia (J)	: 23.5 sq.ft.lb
LRC	: 6.7	Duty cycle	: Cont.(S1)
Rated torque	: 175 ft.lb	Insulation class	: F
Locked rotor torque	: 210 %	Service factor	: 1.15
Breakdown torque	: 260 %	Temperature rise	: 80 K
Rated speed	: 1185 rpm	Design	: B

Locked rotor time : 43s (cold) 24s (hot)

Rev.	Changes Summary	Performed	Checked	Date
Performed by			Page 2 / 21	Revision
Checked by				
Date	08/11/2019			

TORQUE AND CURRENT VS SPEED CURVE



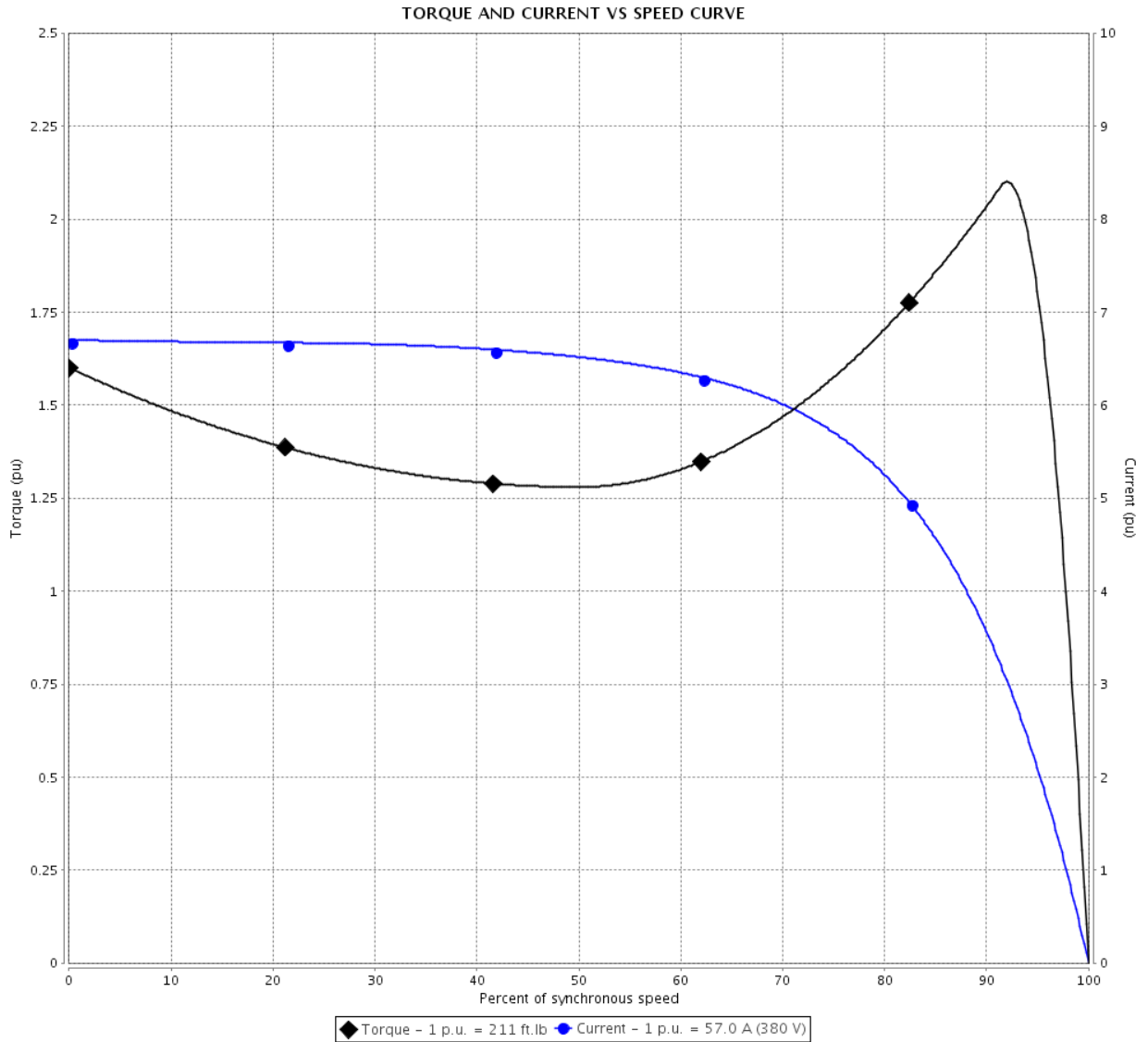
Three Phase Induction Motor - Squirrel Cage

Customer :

Product line : ODP NEMA Premium Efficiency
Three-Phase

Product code : 11803000

Catalog # : 04012OT3E364TC



Performance : 380 V 50 Hz 6P IE3

Rated current	: 57.0 A	Moment of inertia (J)	: 23.5 sq.ft.lb
LRC	: 6.7	Duty cycle	: Cont.(S1)
Rated torque	: 211 ft.lb	Insulation class	: F
Locked rotor torque	: 160 %	Service factor	: 1.15
Breakdown torque	: 210 %	Temperature rise	: 80 K
Rated speed	: 980 rpm	Design	: B

Locked rotor time : 43s (cold) 24s (hot)

Rev.	Changes Summary	Performed	Checked	Date
Performed by			Page 3 / 21	Revision
Checked by				
Date	08/11/2019			

TORQUE AND CURRENT VS SPEED CURVE

Three Phase Induction Motor - Squirrel Cage



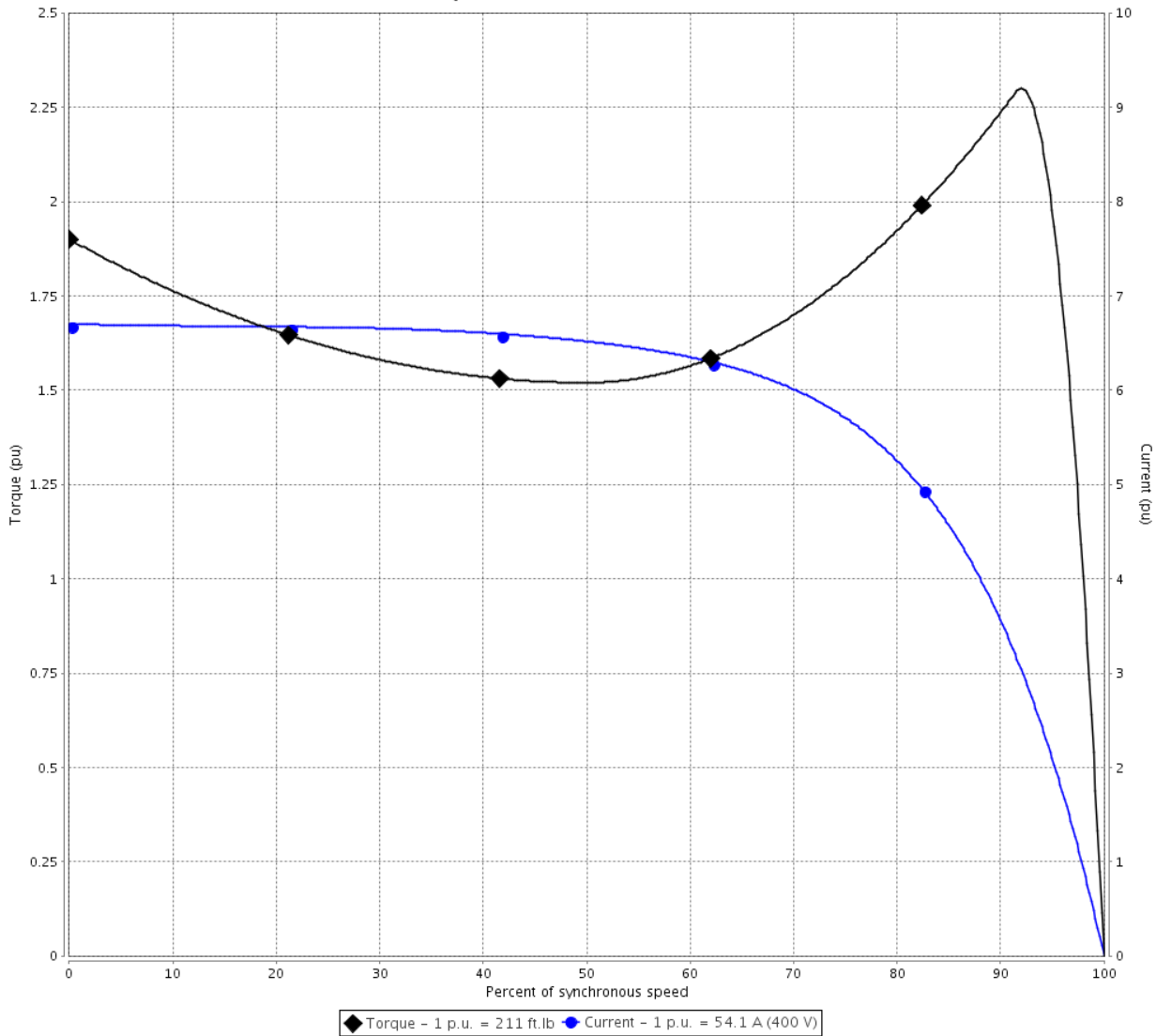
Customer :

Product line : ODP NEMA Premium Efficiency
Three-Phase

Product code : 11803000

Catalog # : 04012OT3E364TC

TORQUE AND CURRENT VS SPEED CURVE



Performance : 400 V 50 Hz 6P IE3

Rated current	: 54.1 A	Moment of inertia (J)	: 23.5 sq.ft.lb
LRC	: 6.7	Duty cycle	: Cont.(S1)
Rated torque	: 211 ft.lb	Insulation class	: F
Locked rotor torque	: 190 %	Service factor	: 1.15
Breakdown torque	: 229 %	Temperature rise	: 80 K
Rated speed	: 980 rpm	Design	: B

Locked rotor time : 43s (cold) 24s (hot)

Rev.	Changes Summary	Performed	Checked	Date
Performed by			Page 4 / 21	Revision
Checked by				
Date	08/11/2019			

TORQUE AND CURRENT VS SPEED CURVE



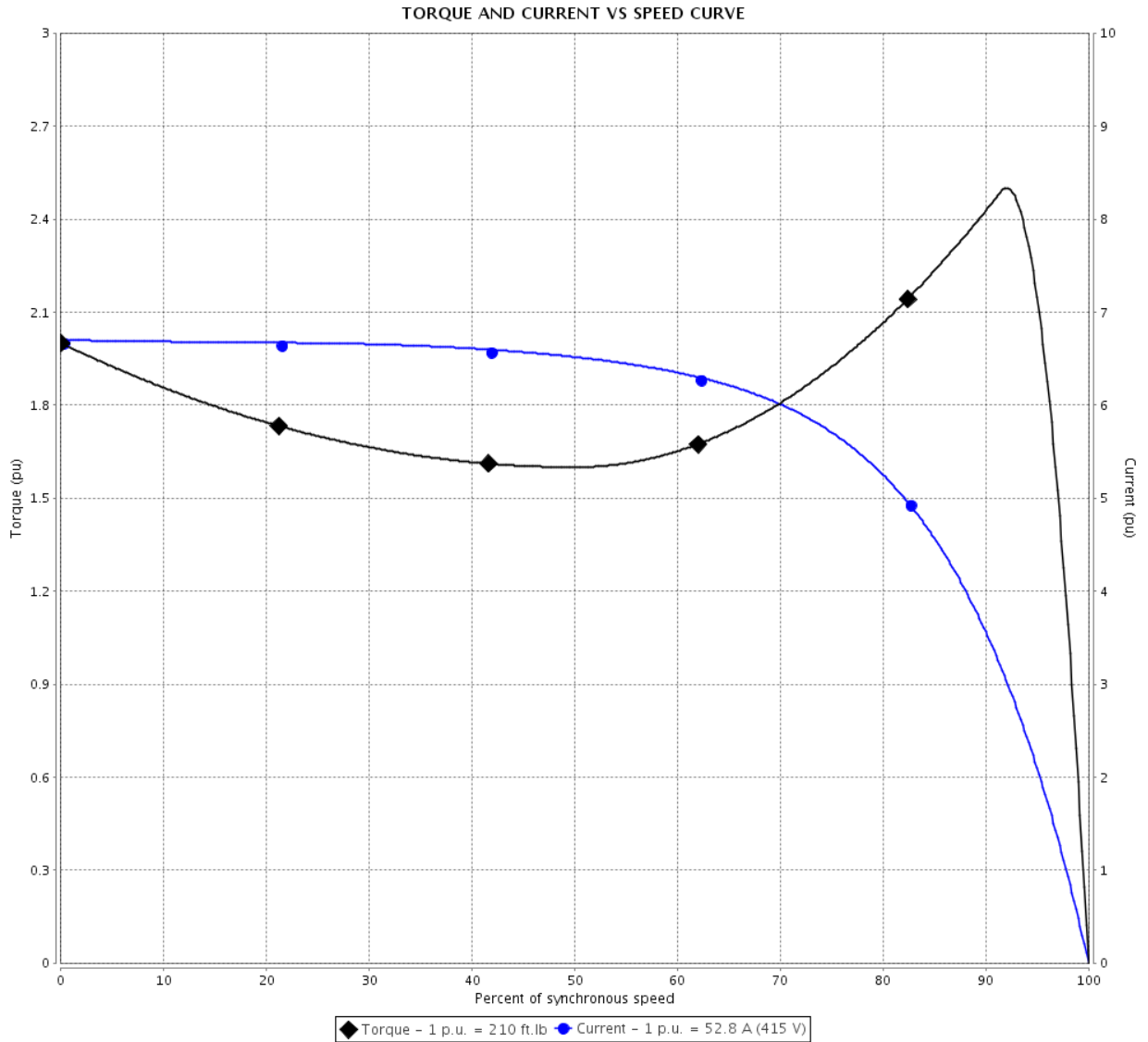
Three Phase Induction Motor - Squirrel Cage

Customer :

Product line : ODP NEMA Premium Efficiency
Three-Phase

Product code : 11803000

Catalog # : 04012OT3E364TC



Performance : 415 V 50 Hz 6P IE3

Rated current	: 52.8 A	Moment of inertia (J)	: 23.5 sq.ft.lb
LRC	: 6.7	Duty cycle	: Cont.(S1)
Rated torque	: 210 ft.lb	Insulation class	: F
Locked rotor torque	: 200 %	Service factor	: 1.15
Breakdown torque	: 250 %	Temperature rise	: 80 K
Rated speed	: 985 rpm	Design	: B

Locked rotor time : 43s (cold) 24s (hot)

Rev.	Changes Summary	Performed	Checked	Date
Performed by			Page 5 / 21	Revision
Checked by				
Date	08/11/2019			

LOAD PERFORMANCE CURVE

Three Phase Induction Motor - Squirrel Cage

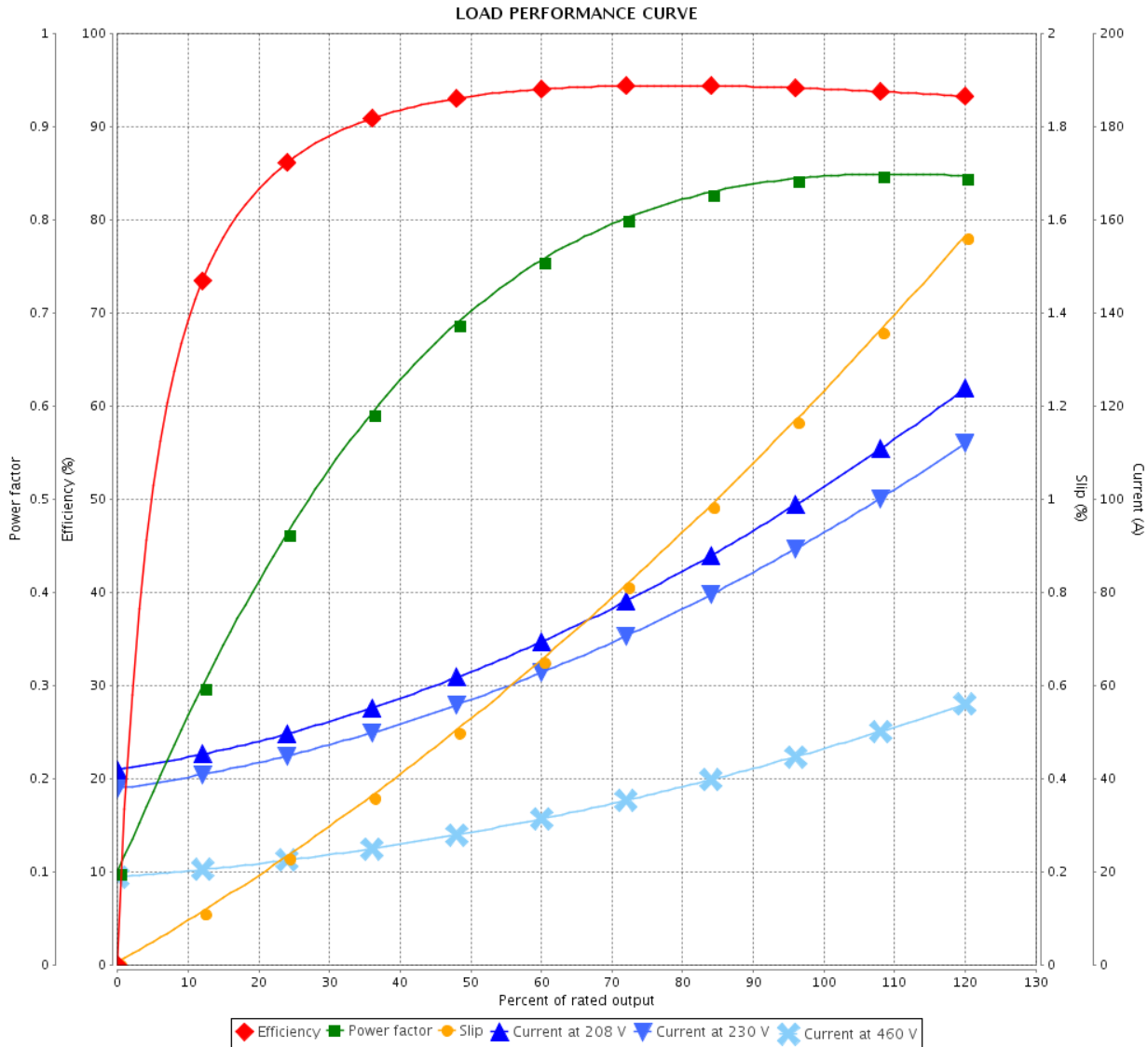


Customer :

Product line : ODP NEMA Premium Efficiency Three-Phase

Product code : 11803000

Catalog # : 040120T3E364TC



Performance : 208-230/460 V 60 Hz 6P

Rated current : 104-94.2/47.1 A
 LRC : 6.7
 Rated torque : 175 ft.lb
 Locked rotor torque : 210 %
 Breakdown torque : 260 %
 Rated speed : 1185 rpm

Moment of inertia (J) : 23.5 sq.ft.lb
 Duty cycle : Cont.(S1)
 Insulation class : F
 Service factor : 1.15
 Temperature rise : 80 K
 Design : B

Rev.	Changes Summary	Performed	Checked	Date
Performed by			Page 6 / 21	Revision
Checked by				
Date	08/11/2019			

LOAD PERFORMANCE CURVE

Three Phase Induction Motor - Squirrel Cage

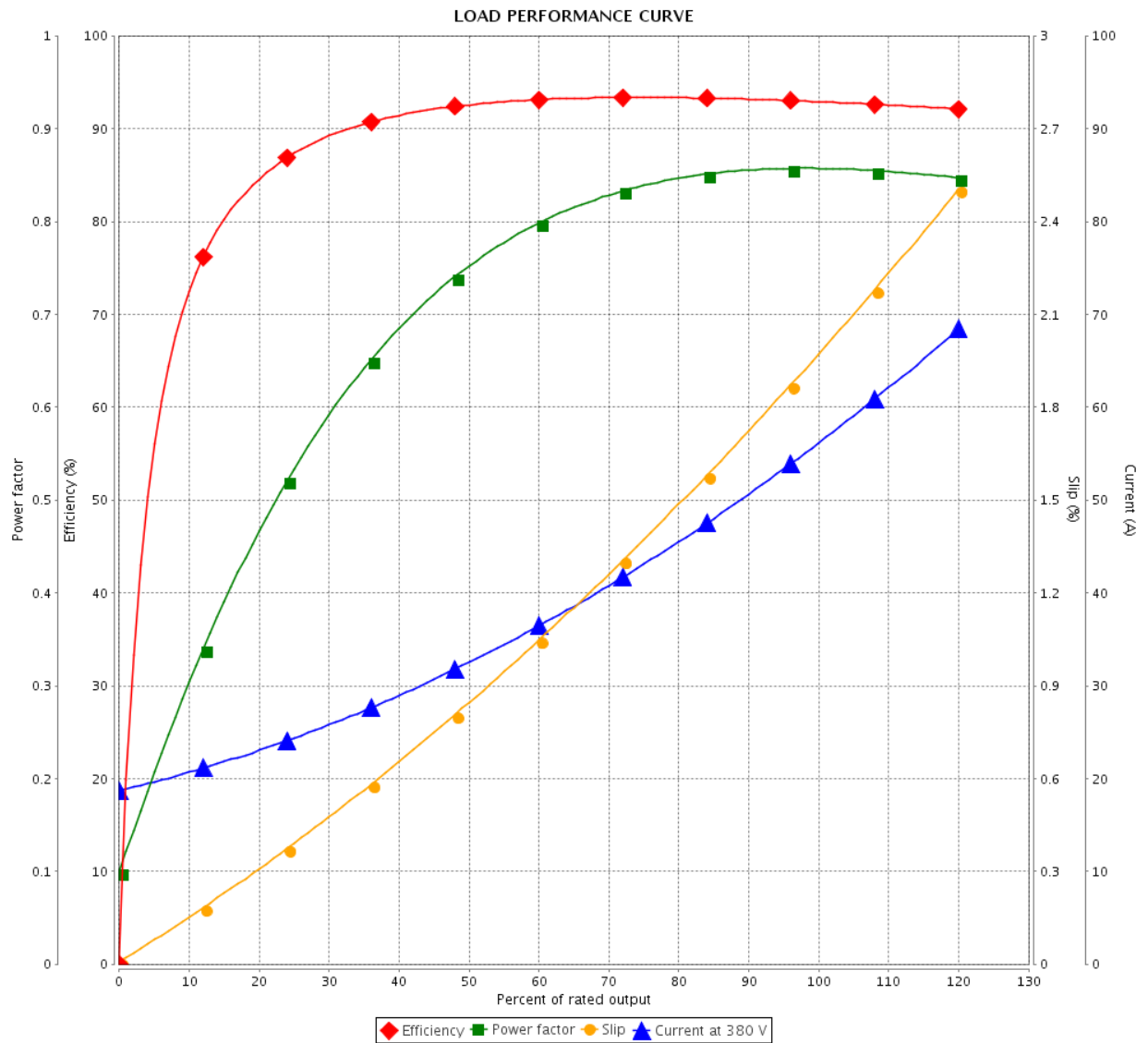


Customer :

Product line : ODP NEMA Premium Efficiency Three-Phase

Product code : 11803000

Catalog # : 04012OT3E364TC



Performance : 380 V 50 Hz 6P IE3

Rated current : 57.0 A
 LRC : 6.7
 Rated torque : 211 ft.lb
 Locked rotor torque : 160 %
 Breakdown torque : 210 %
 Rated speed : 980 rpm

Moment of inertia (J) : 23.5 sq.ft.lb
 Duty cycle : Cont.(S1)
 Insulation class : F
 Service factor : 1.15
 Temperature rise : 80 K
 Design : B

Rev.	Changes Summary	Performed	Checked	Date
Performed by			Page	Revision
Checked by			7 / 21	
Date	08/11/2019			

LOAD PERFORMANCE CURVE

Three Phase Induction Motor - Squirrel Cage

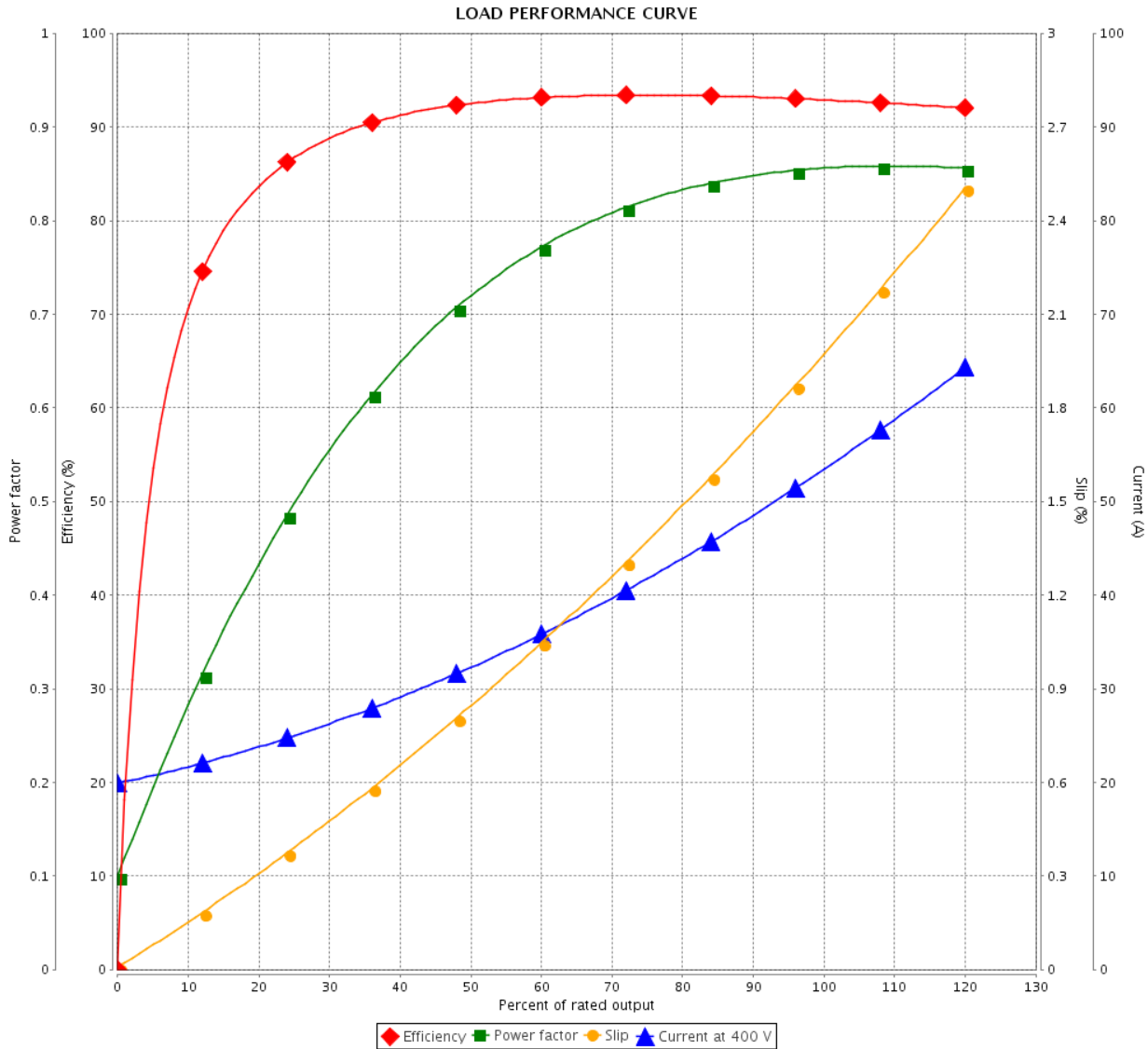


Customer :

Product line : ODP NEMA Premium Efficiency Three-Phase

Product code : 11803000

Catalog # : 040120T3E364TC



Performance : 400 V 50 Hz 6P IE3

Rated current : 54.1 A
 LRC : 6.7
 Rated torque : 211 ft.lb
 Locked rotor torque : 190 %
 Breakdown torque : 229 %
 Rated speed : 980 rpm

Moment of inertia (J) : 23.5 sq.ft.lb
 Duty cycle : Cont.(S1)
 Insulation class : F
 Service factor : 1.15
 Temperature rise : 80 K
 Design : B

Rev.	Changes Summary	Performed	Checked	Date
Performed by			Page 8 / 21	Revision
Checked by				
Date	08/11/2019			

LOAD PERFORMANCE CURVE

Three Phase Induction Motor - Squirrel Cage

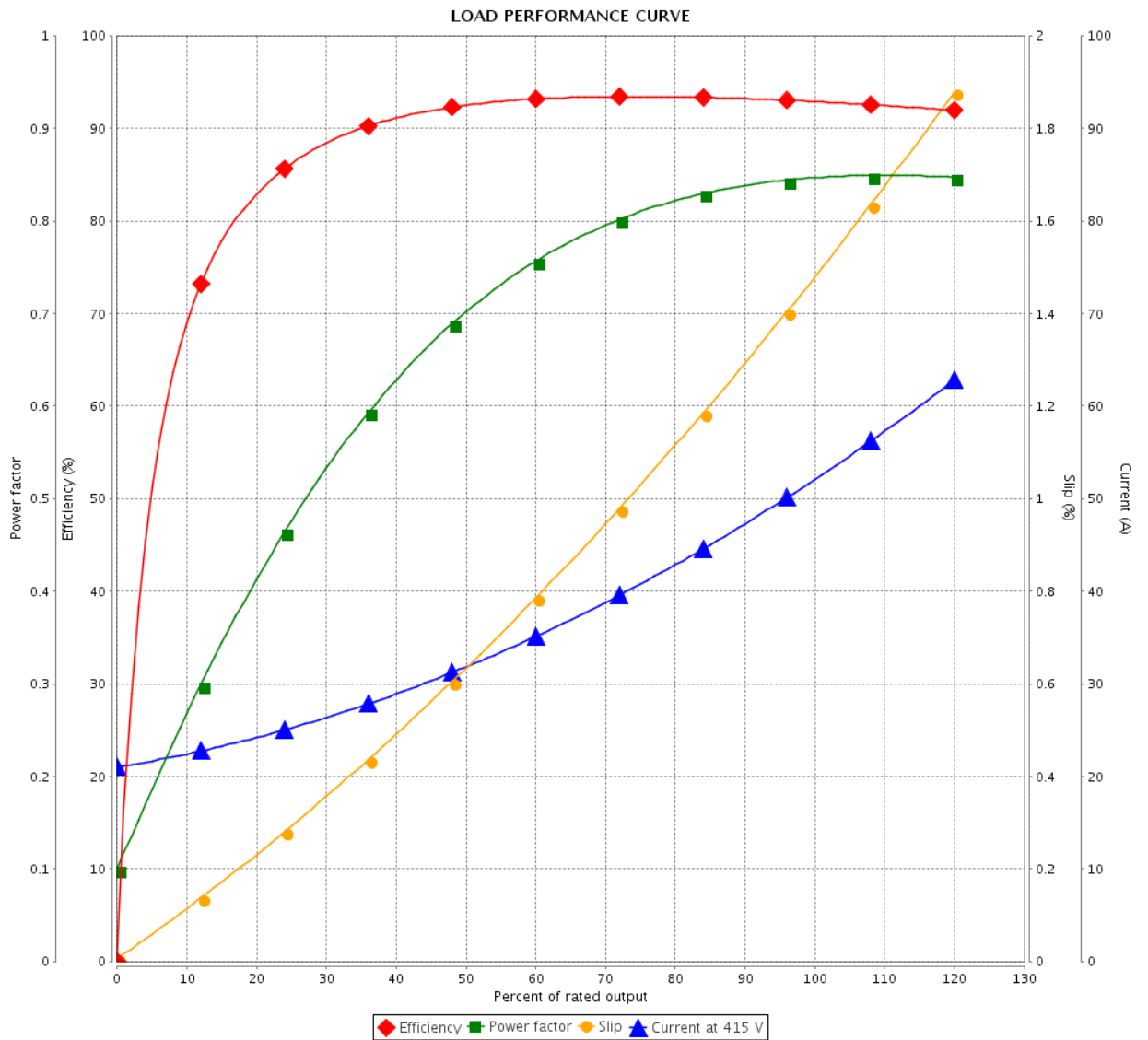


Customer :

Product line : ODP NEMA Premium Efficiency
Three-Phase

Product code : 11803000

Catalog # : 040120T3E364TC



Performance : 415 V 50 Hz 6P IE3

Rated current : 52.8 A
 LRC : 6.7
 Rated torque : 210 ft.lb
 Locked rotor torque : 200 %
 Breakdown torque : 250 %
 Rated speed : 985 rpm

Moment of inertia (J) : 23.5 sq.ft.lb
 Duty cycle : Cont.(S1)
 Insulation class : F
 Service factor : 1.15
 Temperature rise : 80 K
 Design : B

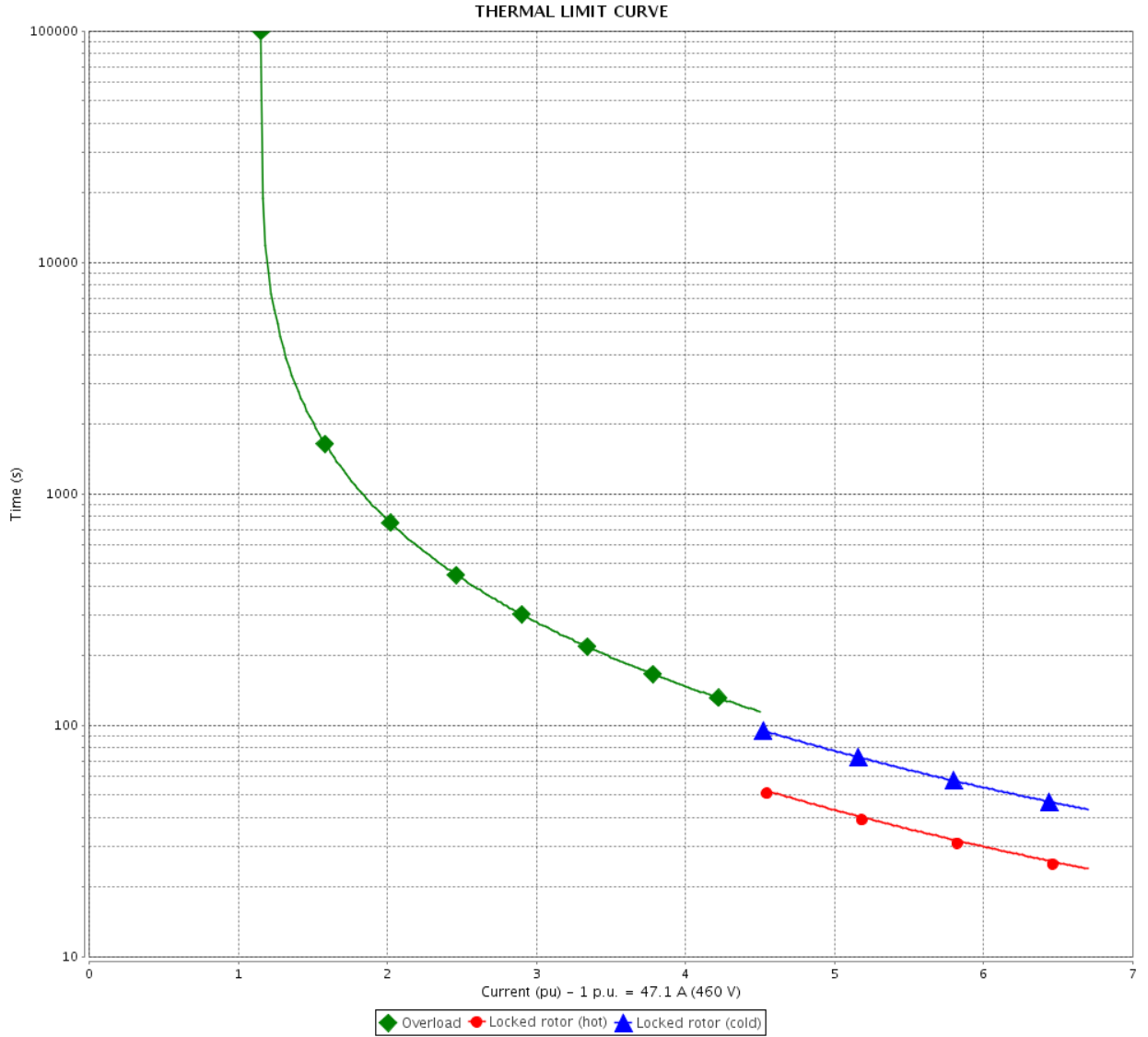
Rev.	Changes Summary	Performed	Checked	Date
Performed by			Page	Revision
Checked by			9 / 21	
Date	08/11/2019			

THERMAL LIMIT CURVE

Three Phase Induction Motor - Squirrel Cage



Customer : _____



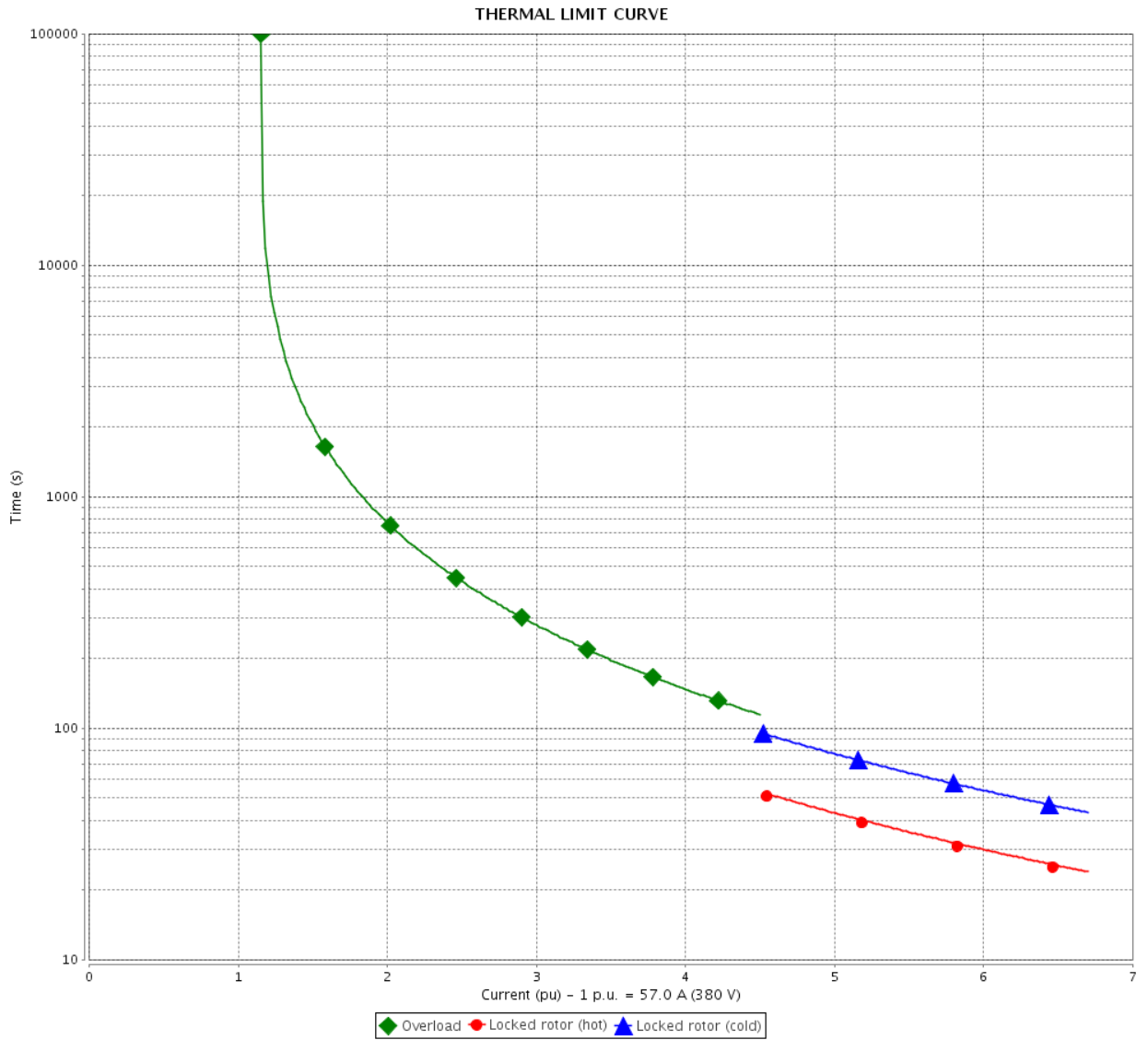
Rev.	Changes Summary	Performed	Checked	Date	
Performed by					
Checked by					
Date					08/11/2019
		Page	Revision		
		11 / 21			

THERMAL LIMIT CURVE

Three Phase Induction Motor - Squirrel Cage



Customer : _____



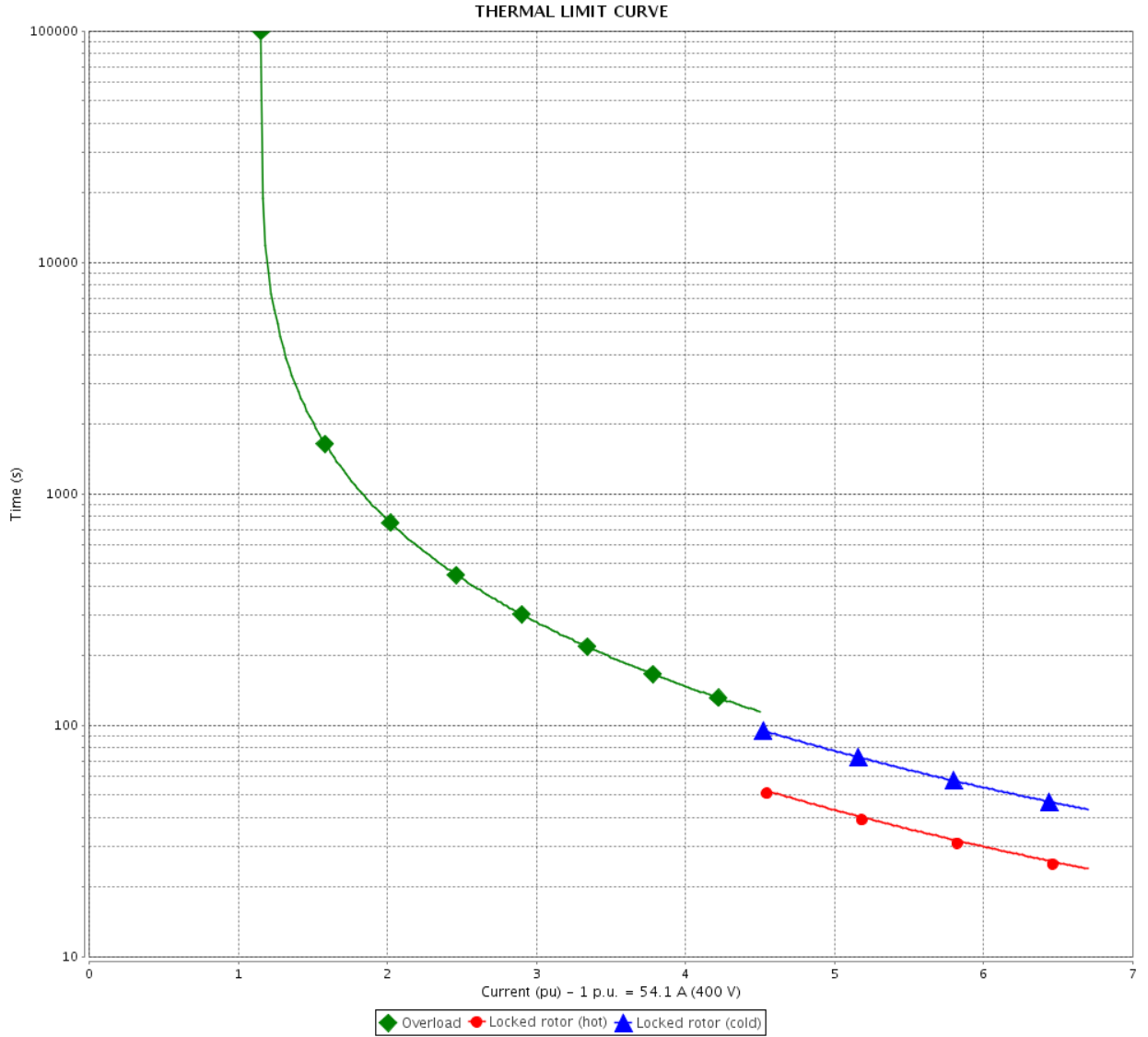
Rev.	Changes Summary	Performed	Checked	Date
Performed by		Page 13 / 21		Revision
Checked by				
Date				

THERMAL LIMIT CURVE

Three Phase Induction Motor - Squirrel Cage



Customer : _____



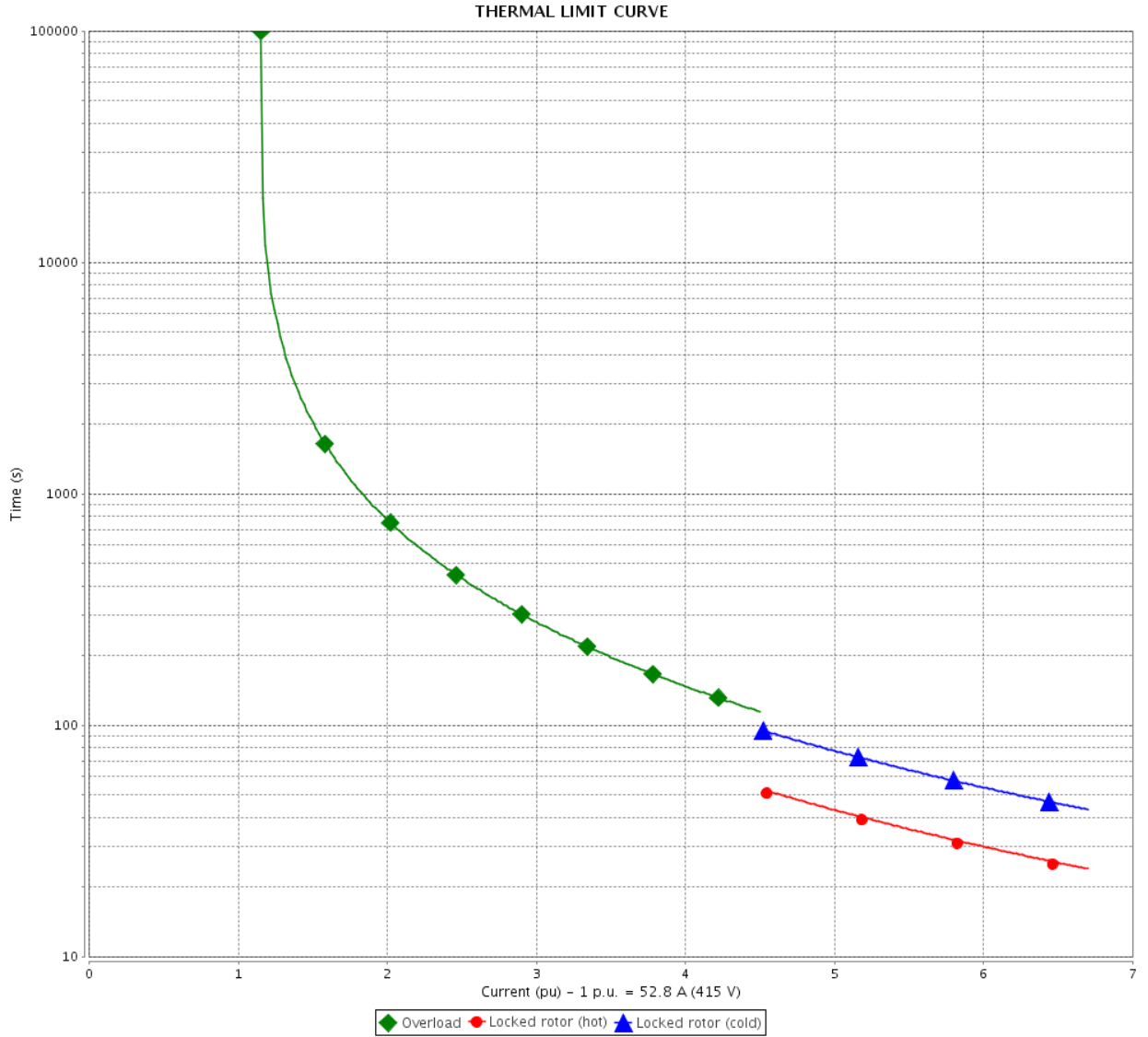
Rev.	Changes Summary	Performed	Checked	Date
Performed by		Page 15 / 21		Revision
Checked by				
Date				

THERMAL LIMIT CURVE

Three Phase Induction Motor - Squirrel Cage



Customer : _____



Rev.	Changes Summary	Performed	Checked	Date
Performed by		Page		Revision
Checked by		17 / 21		
Date		08/11/2019		

VFD OPERATION CURVE

Three Phase Induction Motor - Squirrel Cage

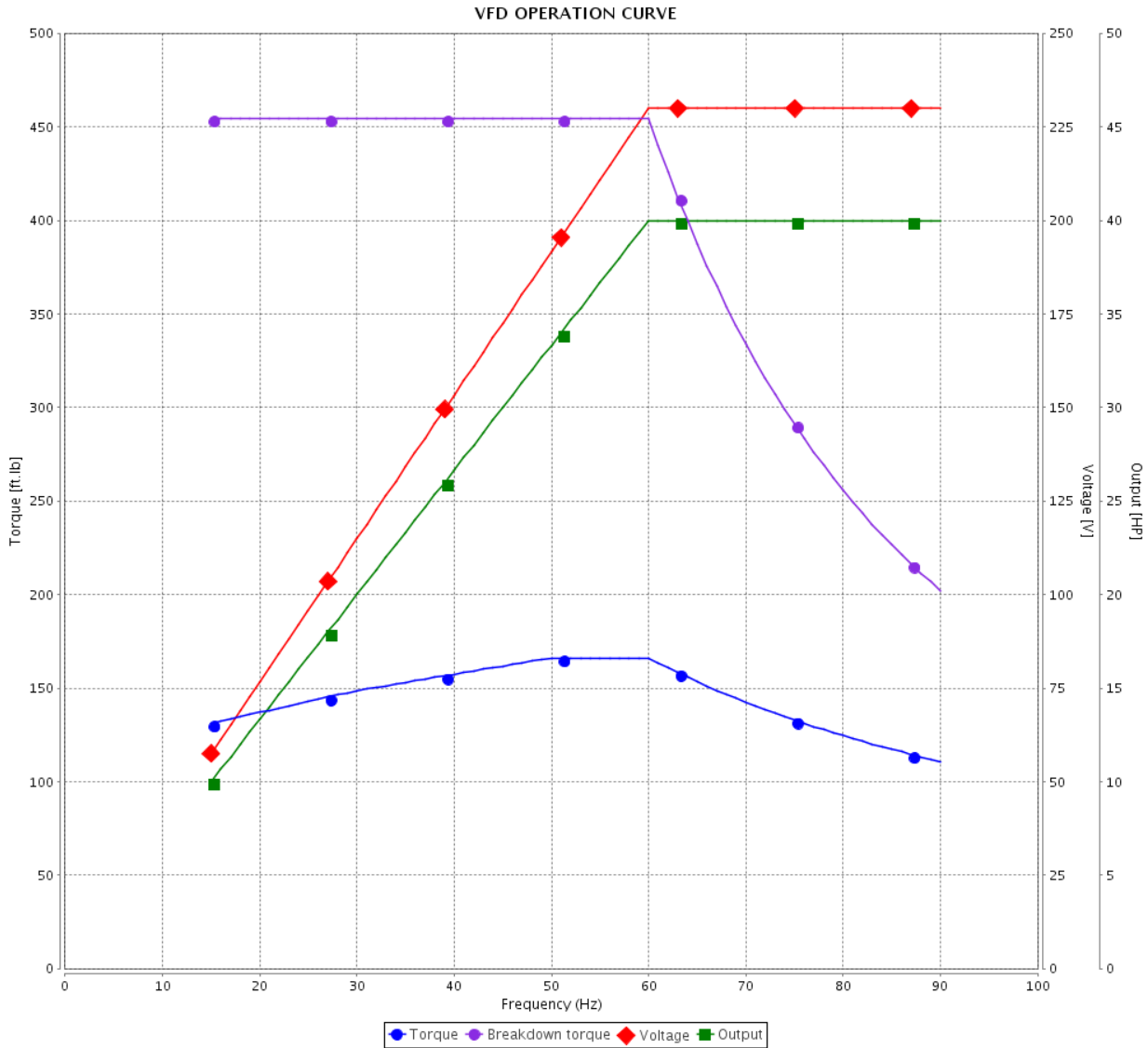


Customer :

Product line : ODP NEMA Premium Efficiency
Three-Phase

Product code : 11803000

Catalog # : 040120T3E364TC



Performance : 208-230/460 V 60 Hz 6P

Rated current : 104-94.2/47.1 A
 LRC : 6.7
 Rated torque : 175 ft.lb
 Locked rotor torque : 210 %
 Breakdown torque : 260 %
 Rated speed : 1185 rpm

Moment of inertia (J) : 23.5 sq.ft.lb
 Duty cycle : Cont.(S1)
 Insulation class : F
 Service factor : 1.15
 Temperature rise : 80 K
 Design : B

Rev.	Changes Summary	Performed	Checked	Date
Performed by			Page 18 / 21	Revision
Checked by				
Date	08/11/2019			

VFD OPERATION CURVE

Three Phase Induction Motor - Squirrel Cage

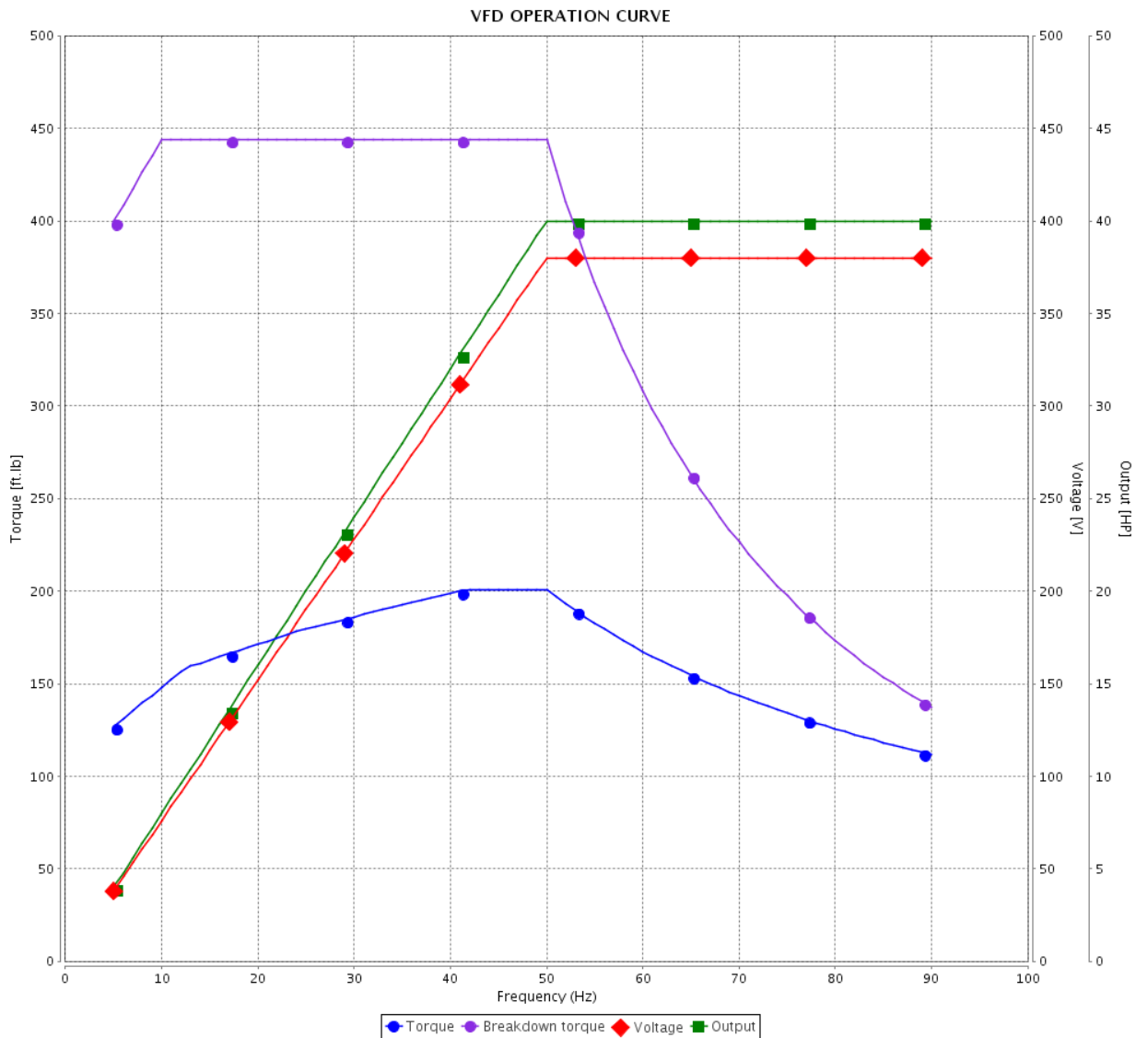


Customer :

Product line : ODP NEMA Premium Efficiency
Three-Phase

Product code : 11803000

Catalog # : 04012OT3E364TC



Performance : 380 V 50 Hz 6P IE3

Rated current : 57.0 A
 LRC : 6.7
 Rated torque : 211 ft.lb
 Locked rotor torque : 160 %
 Breakdown torque : 210 %
 Rated speed : 980 rpm

Moment of inertia (J) : 23.5 sq.ft.lb
 Duty cycle : Cont.(S1)
 Insulation class : F
 Service factor : 1.15
 Temperature rise : 80 K
 Design : B

Rev.	Changes Summary	Performed	Checked	Date
Performed by		Page		Revision
Checked by		19 / 21		
Date	08/11/2019			

VFD OPERATION CURVE

Three Phase Induction Motor - Squirrel Cage

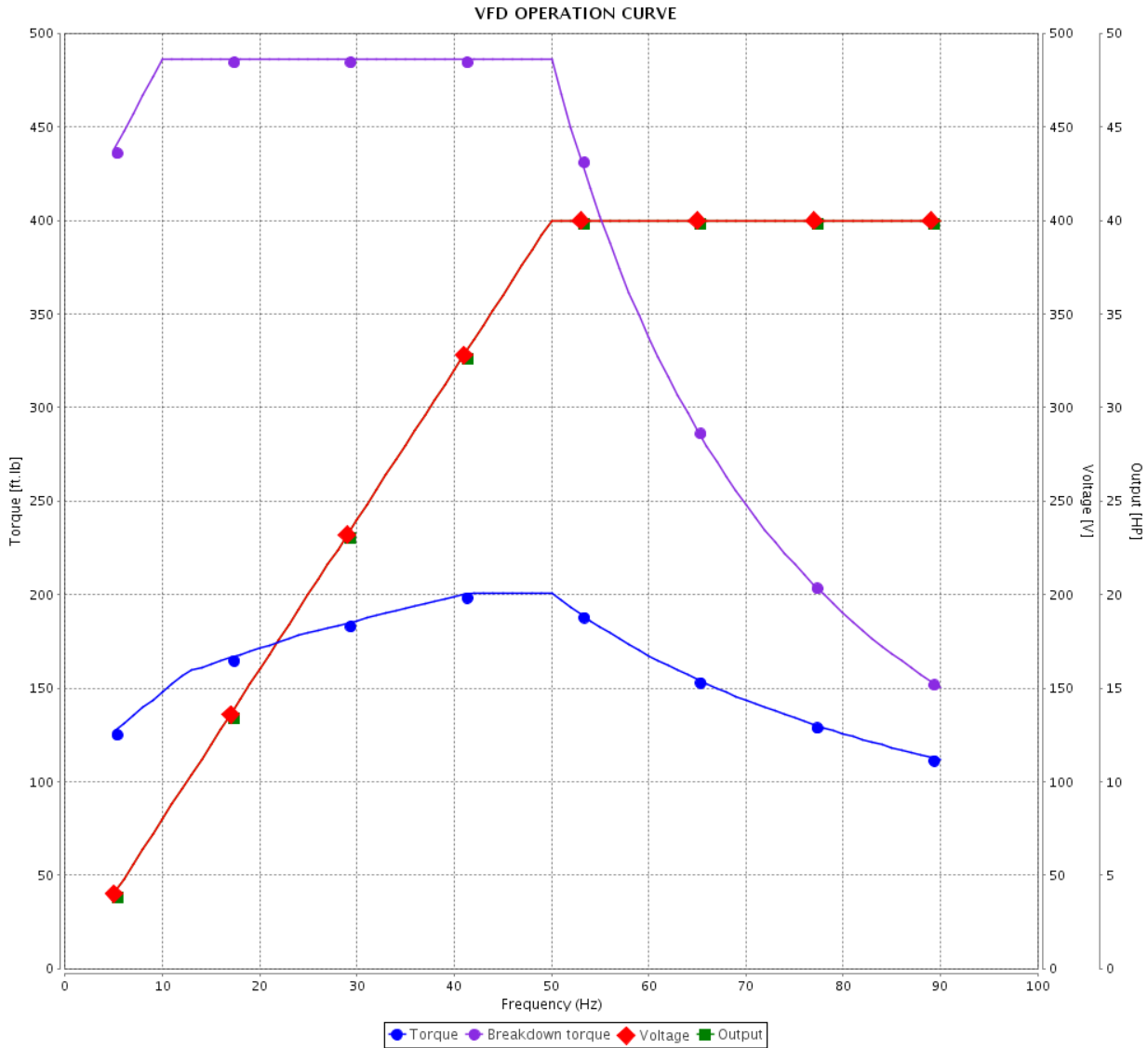


Customer :

Product line : ODP NEMA Premium Efficiency
Three-Phase

Product code : 11803000

Catalog # : 04012OT3E364TC



Performance : 400 V 50 Hz 6P IE3

Rated current : 54.1 A
 LRC : 6.7
 Rated torque : 211 ft.lb
 Locked rotor torque : 190 %
 Breakdown torque : 229 %
 Rated speed : 980 rpm

Moment of inertia (J) : 23.5 sq.ft.lb
 Duty cycle : Cont.(S1)
 Insulation class : F
 Service factor : 1.15
 Temperature rise : 80 K
 Design : B

Rev.	Changes Summary	Performed	Checked	Date
Performed by			Page 20 / 21	Revision
Checked by				
Date	08/11/2019			

VFD OPERATION CURVE

Three Phase Induction Motor - Squirrel Cage

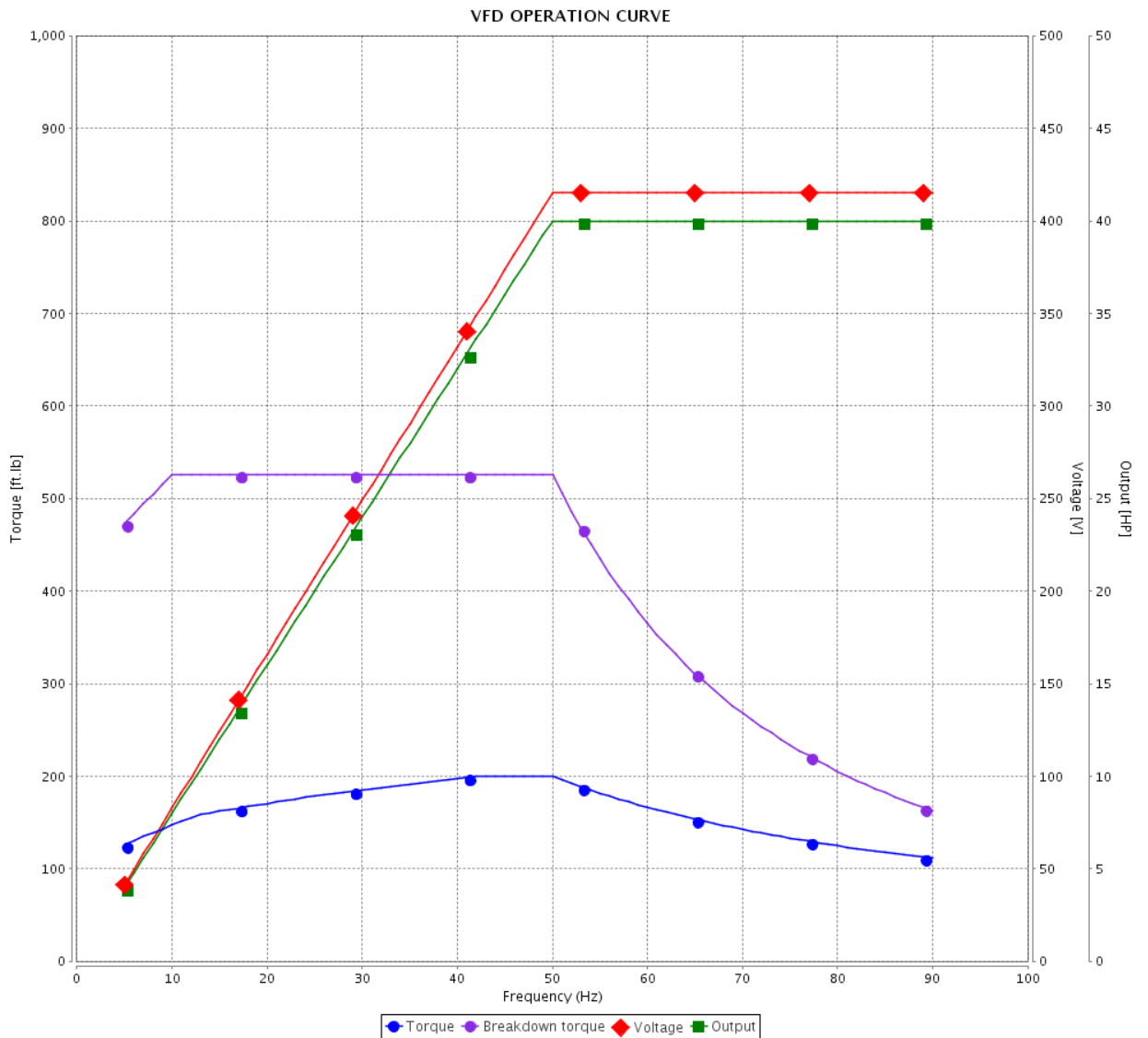


Customer :

Product line : ODP NEMA Premium Efficiency
Three-Phase

Product code : 11803000

Catalog # : 040120T3E364TC



Performance : 415 V 50 Hz 6P IE3

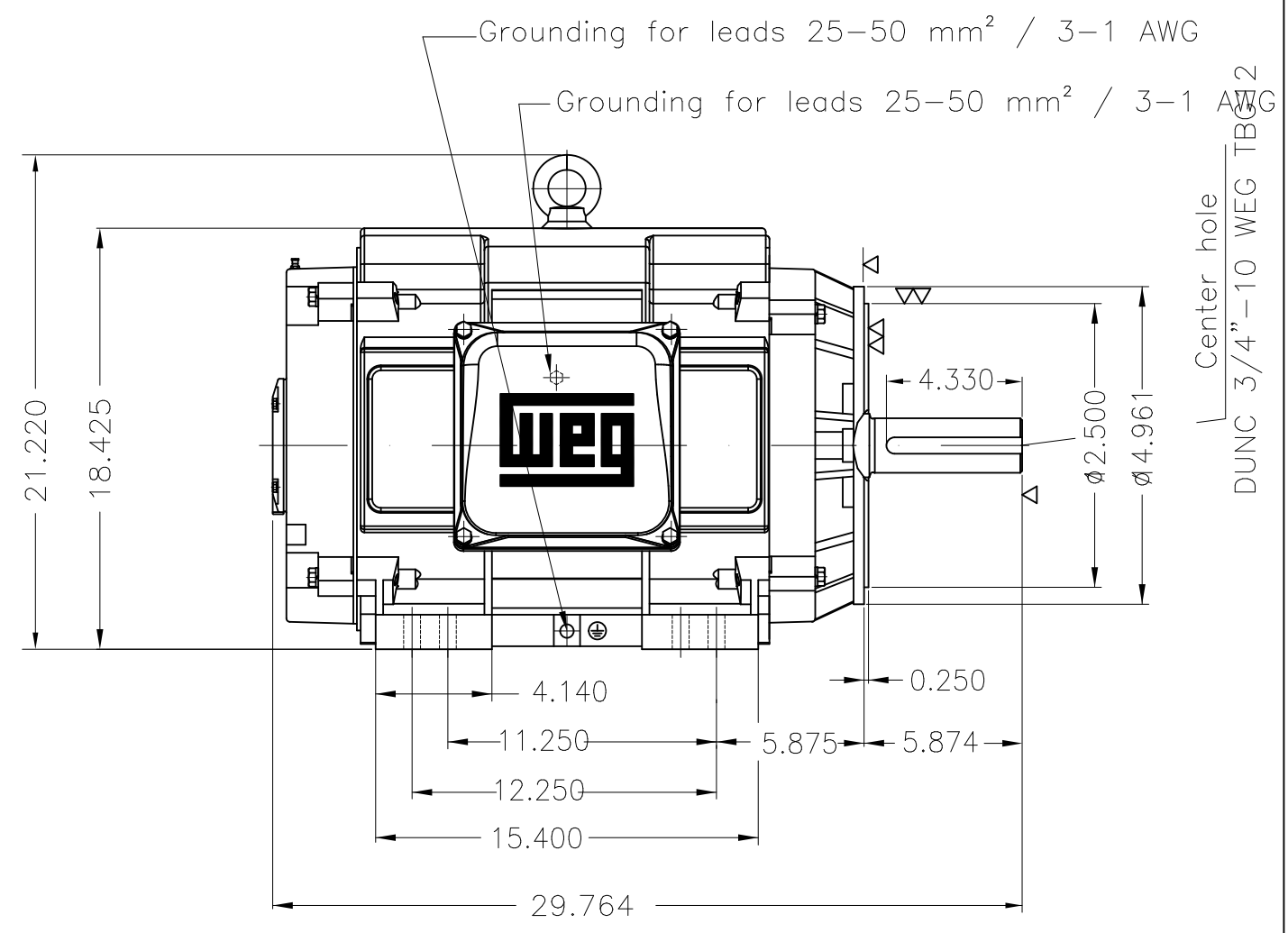
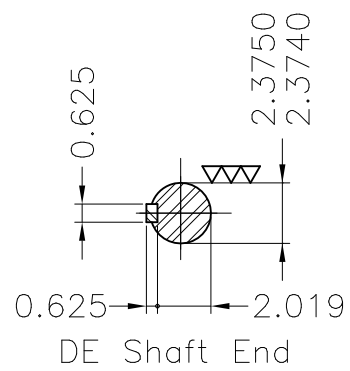
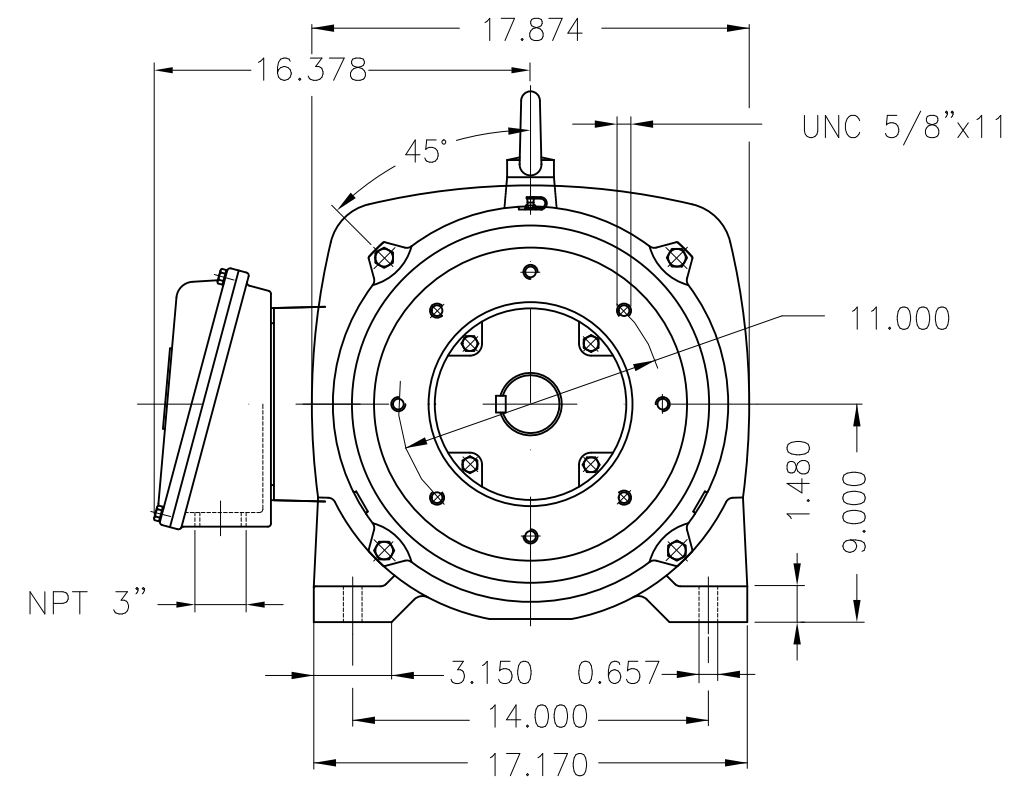
Rated current : 52.8 A
 LRC : 6.7
 Rated torque : 210 ft.lb
 Locked rotor torque : 200 %
 Breakdown torque : 250 %
 Rated speed : 985 rpm

Moment of inertia (J) : 23.5 sq.ft.lb
 Duty cycle : Cont.(S1)
 Insulation class : F
 Service factor : 1.15
 Temperature rise : 80 K
 Design : B

Rev.	Changes Summary	Performed	Checked	Date
Performed by				Page 21 / 21
Checked by				
Date	08/11/2019			
				Revision

Dimensões em polegada
Dimensions in inches

THIS IS AN UPDATED REVISION, THE
PREVIOUS ONE MUST BE DISREGARDED.



Color RAL 5009
Painting plan 203A
Mounting B34R(D)

ECM	LOC	SUMMARY OF MODIFICATIONS	EXECUTED	CHECKED	RELEASED	DATE	VER
EXECUTED	USERADMIN	THREE PHASE NEMA P. EFF MOTOR					
CHECKED		FRAME 364/5TC IP23 ODP					
RELEASED		WEG code: 11803000					
REL DT	08.11.2019	WMO Jaragua do Sul	Product Engineering	SHEET	1 / 1		

40 HP 06 Poles 60Hz

A

