

# **BALDOR® • RELIANCE**

**Product Information Packet**

**ELECTRIC MOTOR WHOLESAL.COM**

**BM2334T**

**20HP,1760RPM,3PH,60HZ,256T,0760M,TEFC,F1**

| Part Detail |      |             |       |                |          |               |            |
|-------------|------|-------------|-------|----------------|----------|---------------|------------|
| Revision:   | F    | Status:     | PRD/A | Change #:      |          | Proprietary:  | No         |
| Type:       | AC   | Prod. Type: | 0760M | Elec. Spec:    | 07WGX826 | CD Diagram:   |            |
| Enclosure:  | TEFC | Mfg Plant:  |       | Mech. Spec:    | 07K356   | Layout:       |            |
| Frame:      | 256T | Mounting:   | F1    | Poles:         | 04       | Created Date: | 05-26-2006 |
| Base:       | RG   | Rotation:   | R     | Insulation:    | F        | Eff. Date:    | 01-19-2010 |
| Leads:      | 9#10 | Literature: |       | Elec. Diagram: |          | Replaced By:  |            |

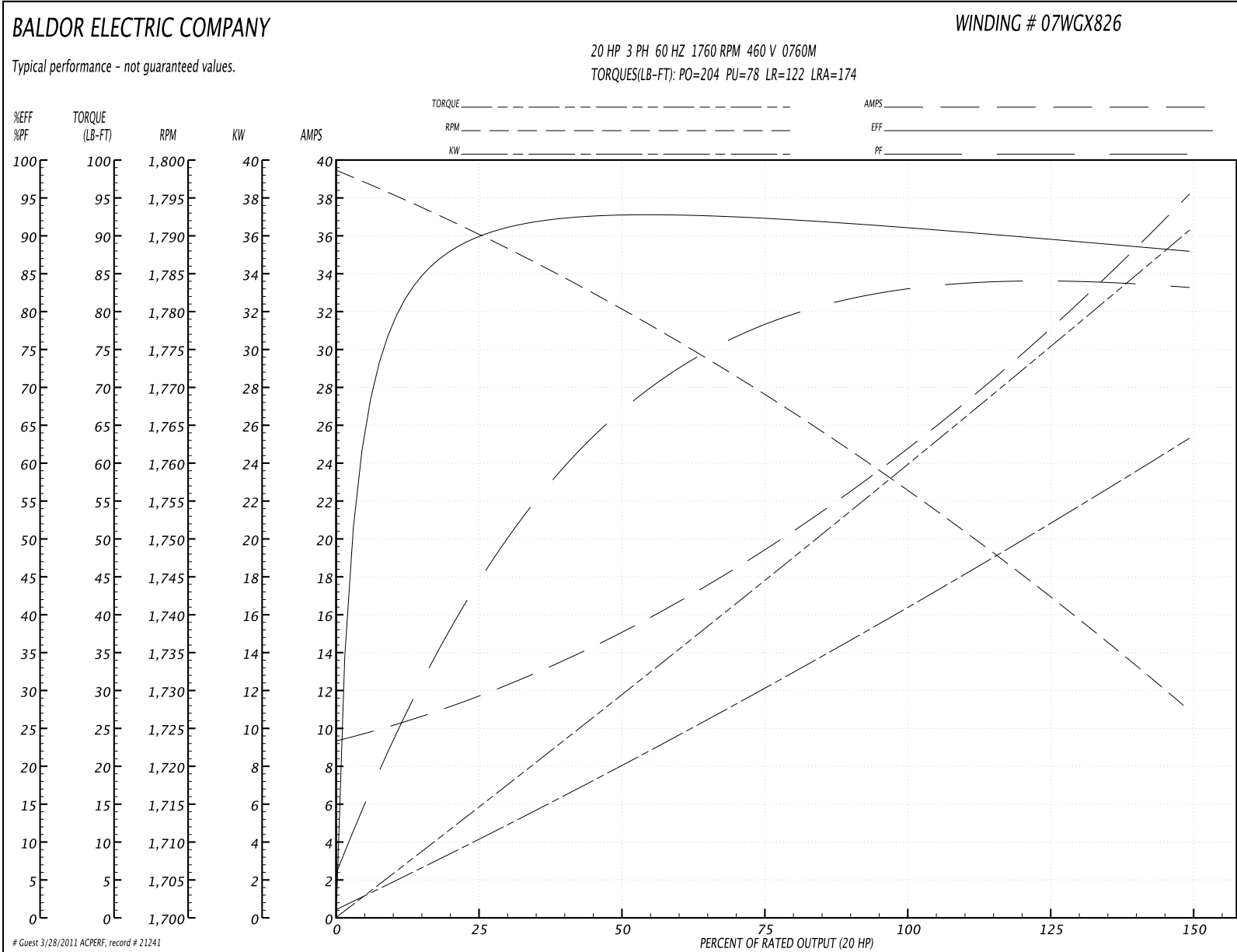
| Nameplate NP1256L |              |      |  |                |      |     |   |       |   |
|-------------------|--------------|------|--|----------------|------|-----|---|-------|---|
| CAT.NO.           | BM2334T      |      |  |                |      |     |   |       |   |
| SPEC.             | 07K356X826H1 |      |  |                |      |     |   |       |   |
| HP                | 20           |      |  |                |      |     |   |       |   |
| VOLTS             | 230/460      |      |  |                |      |     |   |       |   |
| AMP               | 50/25        |      |  |                |      |     |   |       |   |
| RPM               | 1760         |      |  |                |      |     |   |       |   |
| FRAME             | 256T         | HZ   |  |                | 60   | PH  | 3 |       |   |
| SER.F.            | 1.15         | CODE |  |                | J    | DES | A | CLASS | F |
| NEMA-NOM-EFF      | 91           | PF   |  |                | 83   |     |   |       |   |
| RATING            | 40C AMB-CONT |      |  |                |      |     |   |       |   |
| CC                |              |      |  | USABLE AT 208V |      | 54  |   |       |   |
| DE                | 6309         | ODE  |  |                | 6306 |     |   |       |   |
| ENCL              | TEFC         | SN   |  |                |      |     |   |       |   |
|                   |              |      |  |                |      |     |   |       |   |

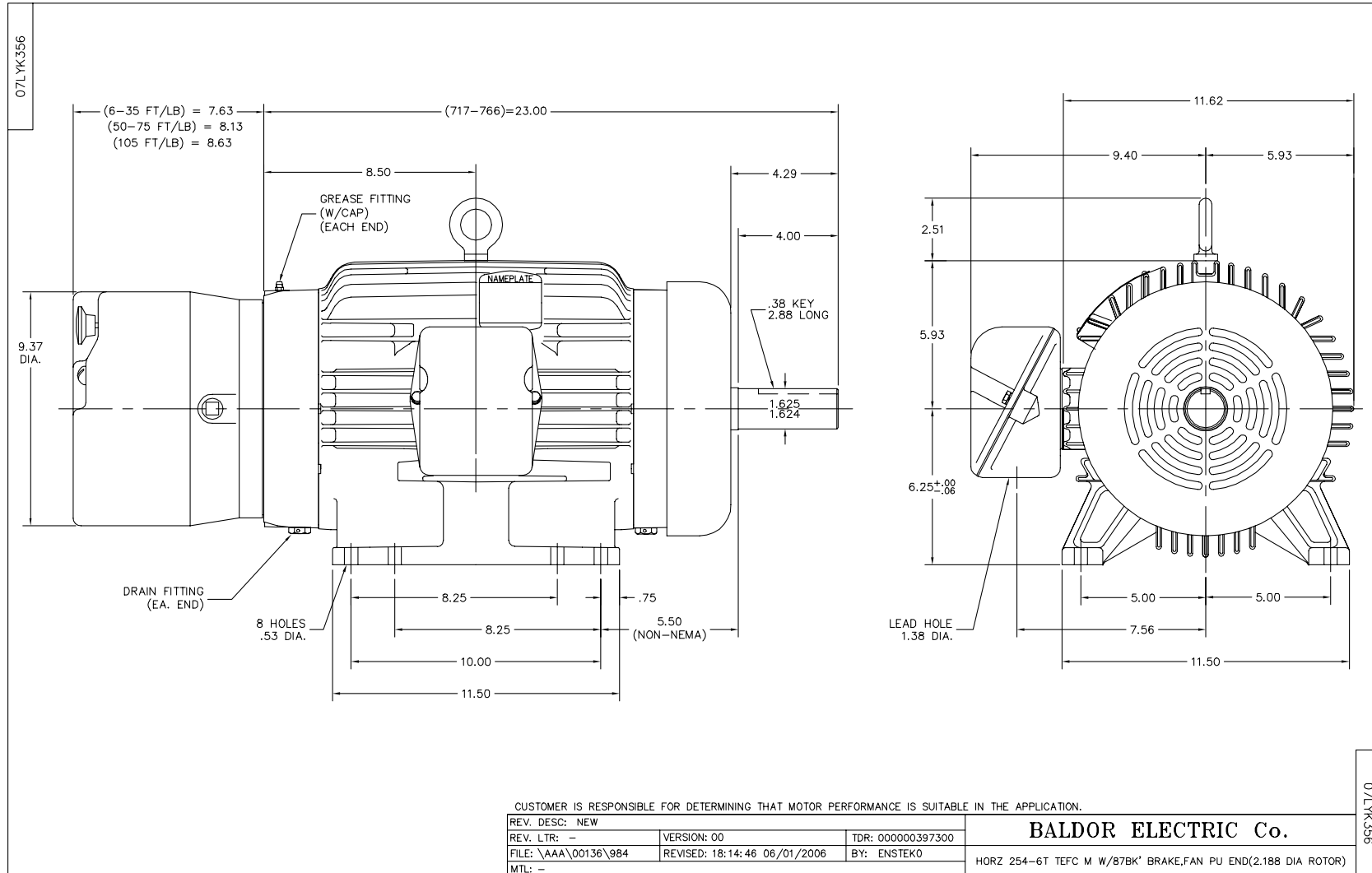
| Parts List  |  |          |
|-------------|--|----------|
| Part Number | Description                              | Quantity |
| SA143641    | SA 07K356X826H1                          | 1.000 EA |
| RA132876    | RA 07K356X826H1                          | 1.000 EA |
| HW3201A01   | 1/2-13 EYEBOLT                           | 1.000 EA |
| 09CB3002SP  | CB W/1.38 LEAD HOLE FOR 37, 39, 307 & 30 | 1.000 EA |
| 09GS1000SP  | GASKET-CONDUIT BOX, 1/16 THICK LEXIDE    | 1.000 EA |
| 51XW2520A12 | .25-20 X .75, TAPTITE II, HEX WSHR SLTD  | 2.000 EA |
| WD1000B17   | LUGSDIRECT WIRE LUG, CAT # S6            | 1.000 EA |
| 51XW1032A06 | 10-32 X .38, TAPTITE II, HEX WSHR SLTD S | 1.000 EA |
| 37EP1301A06 | FREP,213-5C GRSR,.125 NPT,T'SLV,BRAKE LE | 1.000 EA |
| HA4051A00   | PLASTIC CAP FOR GREASE FITTING           | 1.000 EA |
| HW4500A01   | 1641B(ALEMITE)400 UNIV, GREASE FITT      | 1.000 EA |
| HA4001A01SP | DRAIN PLUG, PLASTIC (MICRO PLAS)         | 1.000 EA |
| HW5100A07   | W2816-030 WVY WASHER (WB)                | 1.000 EA |
| 07EP1116A38 | PUEP TEFC 309 BRG DRAIN FTG, GRSR        | 1.000 EA |
| HA4051A00   | PLASTIC CAP FOR GREASE FITTING           | 1.000 EA |
| HW4500A01   | 1641B(ALEMITE)400 UNIV, GREASE FITT      | 1.000 EA |
| HA4001A01SP | DRAIN PLUG, PLASTIC (MICRO PLAS)         | 1.000 EA |
| HA3104A42   | THRUBOLT, .31-18 X 16.375                | 4.000 EA |
| XY3118A12   | 5/16-18 HEX NUT DIRECTIONAL SERRATION    | 4.000 EA |
| 37FN3002A03 | EXFN, PLASTIC, 9.00 OD, 1.690 ID         | 1.000 EA |
| HW2500A25   | WOODRUFF KEY USA #1008 #BLOW CARBON STEE | 1.000 EA |
| 51XB1214A20 | 12-14X1.25 HXWSSLD SERTYB                | 1.000 EA |
| 37FH4000A56 | FAN COVER 37/307 FRAME W/ GREASER @ 6:00 | 1.000 EA |
| 51XW1032A06 | 10-32 X .38, TAPTITE II, HEX WSHR SLTD S | 3.000 EA |

| Parts List (continued) |  |          |
|------------------------|--|----------|
| Part Number            | Description                              | Quantity |
| 09CB3501SP             | CONDUIT BOX LID FOR 09CB3001 & 09CB3002  | 1.000 EA |
| 09GS1013SP             | 09 GS FOR 09CB3501 LID - LEXIDE          | 1.000 EA |
| 51XW2520A12            | .25-20 X .75, TAPTITE II, HEX WSHR SLTD  | 2.000 EA |
| HW2501E16              | KEY, 1/4 SQ X 1.750                      | 1.000 EA |
| 84XN5013L12            | .50-13 X .75 NYLOK TYPE HEX.SOC.HD.CAP S | 4.000 EA |
| HW2501G25              | KEY, 3/8 SQ X 2.875                      | 1.000 EA |
| HA7000A03              | KEY RETAINER RING 1.62 & 1.88 DIA. SH    | 1.000 EA |
| 85XU0407S04            | 4X1/4 U DRIVE PIN STAINLESS              | 2.000 EA |
| LB1115                 | LABEL,LIFTING DEVICE                     | 1.000 EA |
| MJ1000A75              | GREASE, POLYREX EM EXXON                 | 0.050 LB |
| MG1000G27              | PAINT- S9282E CHARCOAL GREY              | 0.036 GA |
| 87BK8100EQF            | 1-087-081-00-EQF BRAKE                   | 1.000 EA |
| LB1125C04              | STD-E (STOCK CTN LABEL STD-E WITH FLAG)  | 1.000 EA |
| LC0005E01              | CONN.DIA./WARNING LABEL (LC0005/LB1119)  | 1.000 EA |
| NP1256L                | ALUM, UL CSA CC, W/O THERMAL, LASER      | 1.000 EA |
| 07PA1017               | PACKAGE GP 07 LONG CRATE 34-1/2 X 17-1/2 | 1.000 EA |

| Performance Data at 460V, 60Hz, 20.0HP (Typical performance - Not guaranteed values) |                                 |        |        |                      |             |        |        |
|--|---------------------------------|--------|--------|----------------------|-------------|--------|--------|
| General Characteristics  |                                 |        |        |                      |             |        |        |
| Full Load Torque:  | 59.7 LB-FT                      |        |        | Start Configuration: | DOL         |        |        |
| No-Load Current:   | 9.68 Amps                       |        |        | Break-Down Torque:   | 204.0 LB-FT |        |        |
| Line-line Res. @ 25°C.:  | 0.523 Ohms A Ph / 0.0 Ohms B Ph |        |        | Pull-Up Torque:      | 78.0 LB-FT  |        |        |
| Temp. Rise @ Rated Load:   | 84 C                            |        |        | Locked-Rotor Torque: | 122.0 LB-FT |        |        |
| Temp. Rise @ S.F. Load:  | 110 C                           |        |        | Starting Current:    | 174.0 Amps  |        |        |
| Load Characteristics   |                                 |        |        |                      |             |        |        |
| % of Rated Load  | 25                              | 50     | 75     | 100                  | 125         | 150    | S.F.   |
| Power Factor:  | 46.0                            | 68.0   | 77.0   | 82.0                 | 83.0        | 84.0   | 83.0   |
| Efficiency:  | 89.0                            | 92.1   | 92.0   | 91.1                 | 89.7        | 87.8   | 90.3   |
| Speed:   | 1790.0                          | 1780.0 | 1769.0 | 1757.0               | 1743.0      | 1727.0 | 1749.0 |
| Line Amperes:  | 11.2                            | 14.9   | 19.5   | 25.0                 | 31.1        | 38.0   | 28.7   |

Performance Graph at 460V, 60Hz, 20.0HP Typical performance - Not guaranteed values

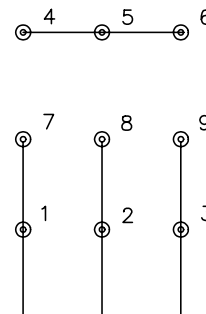




CD0005

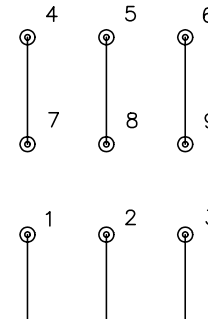


LOW VOLTAGE  
(2Y)



LINE

HIGH VOLTAGE  
(1Y)



LINE

NOTES:

1. INTERCHANGE ANY TWO LINE LEADS TO REVERSE ROTATION.
2. OPTIONAL THERMOSTATS ARE PROVIDED WHEN SPECIFIED.
3. ACTUAL NUMBER OF INTERNAL PARALLEL CIRCUITS MAY BE A MULTIPLE OF THOSE SHOWN ABOVE.
4. LEAD COLORS ARE OPTIONAL. LEADS MUST ALWAYS BE NUMBERED AS SHOWN.

|   |         |                         |              |
|---|---------|-------------------------|--------------|
| REV. DESC: REVISE TO SHOW OPTIONAL COLORS |         |                         |              |
| REV. LTR: E                               | BY: JLP | REVISED: 01/19/99 10:15 | TDR: 0171435 |
| 9000D                                     |         | FILE: AAA00005140       | MDL: -       |
|   |         | MTL: -                  |              |

**BALDOR ELECTRIC Co.**

3PH, DV, 9 LEADS

CD0005