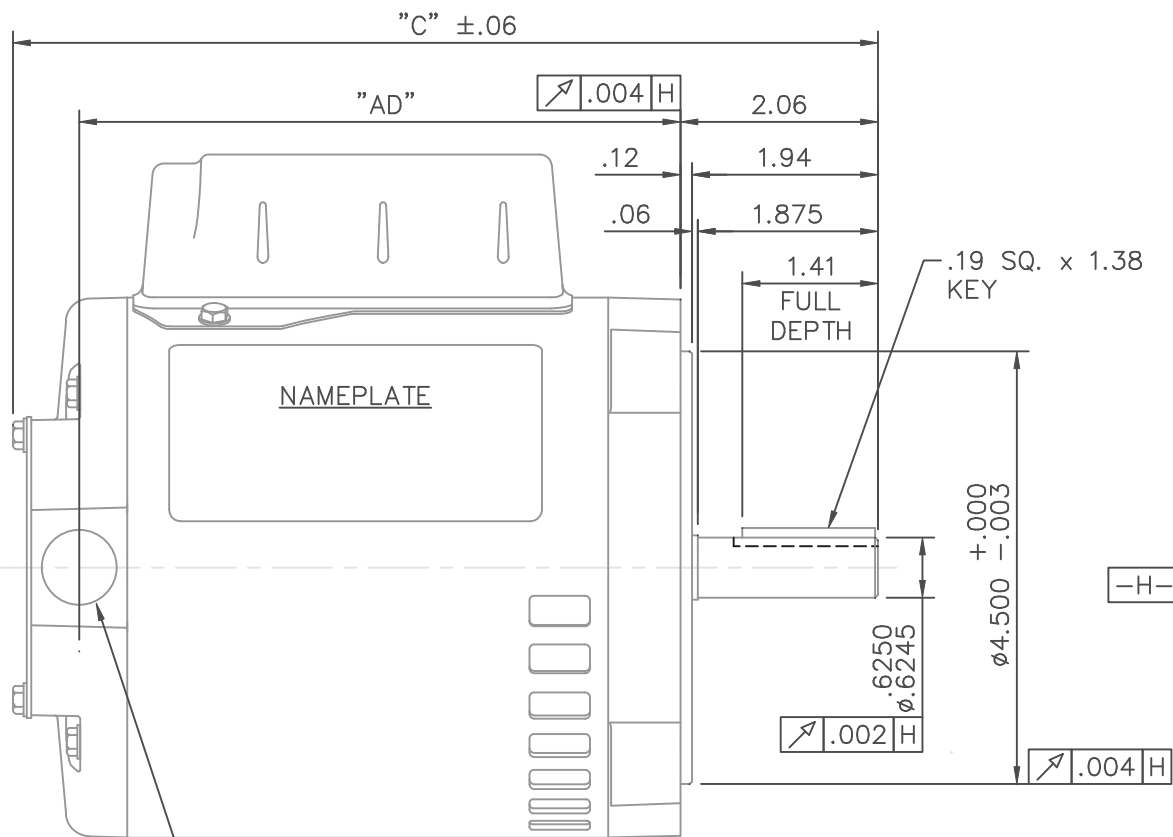
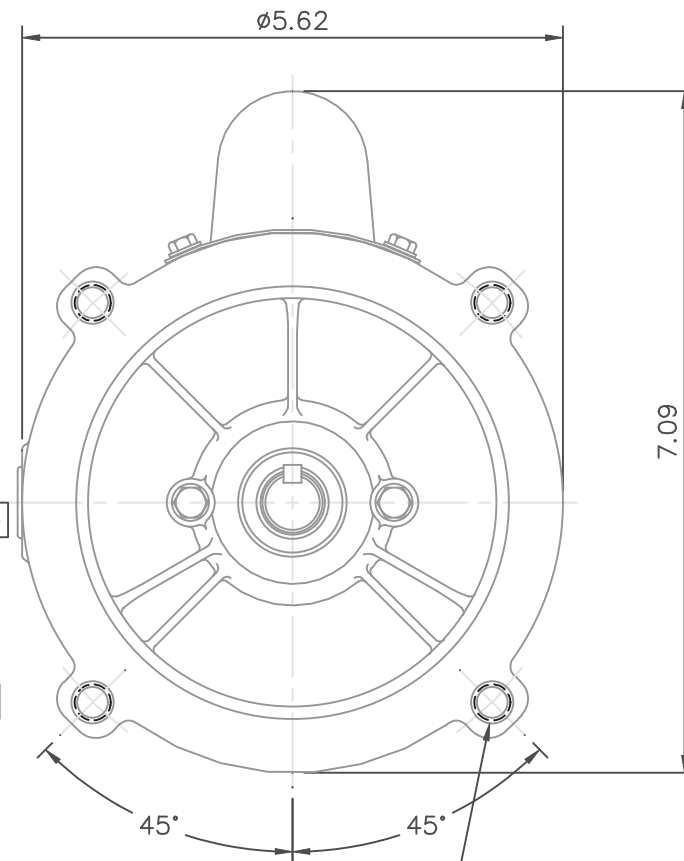


031628




1/2-14 NPT
CONDUIT HOLE
(PLUGGED)



DASH NO.	"C"	"AD"
475	8.74	6.00
500	8.99	6.25
525	9.24	6.50
550	9.49	6.75
575	9.74	7.00
600	9.99	7.25
625	10.24	7.50
650	10.49	7.75
675	10.74	8.00

3/8-16 UNC 2B TAP x .56 DEEP
(4) REQ'D. ON A 5.875 B.C.

				TOLERANCES UNLESS SPECIFIED		 ELECTRIC MOTORS GEARMOTORS AND DRIVES		DRAWN PG 5/24/01		
				DEC.	INCHES			CHK		
				.X	±.1			APPD		
				.XX	±.03			SCALE 1=2		
				.XXX	±.005			REF 031070		
01	REVISED CALLOUT OF GD&T	KMM	6/6/02	.XXXX	±.0005	MAT'L. 1 PHASE		FMF 100019		
NO.	REVISION	BY & DATE	CHK	ANG	±1/2'	FINISH		PREV		
THIS DRAWING IN DESIGN AND DETAIL IS OUR PROPERTY AND MUST NOT BE USED EXCEPT IN CONNECTION WITH OUR WORK ALL RIGHTS OF DESIGN AND INVENTION ARE RESERVED THIS IS AN ELECTRONICALLY GENERATED DOCUMENT - DO NOT SCALE THIS PRINT				RFP		CAD FILE 031628		SIZE A	DRAWING NO. 031628	REV. 01
				DIST						