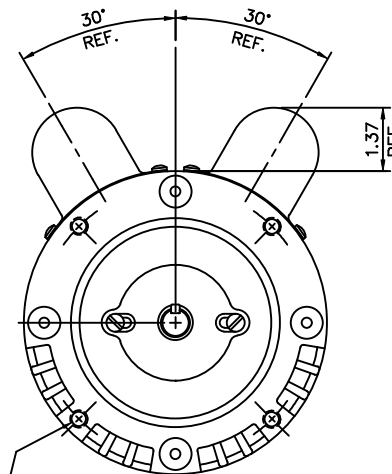
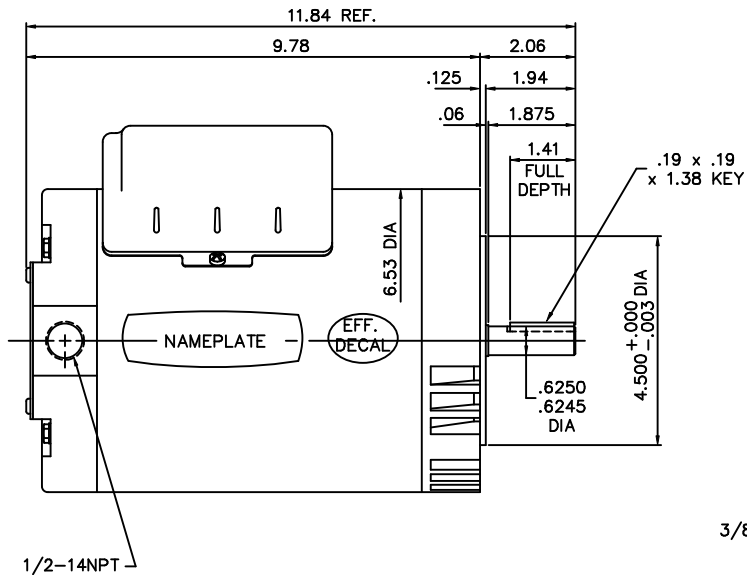
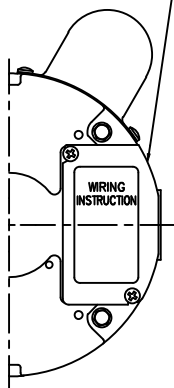


DECAL CONNECTION UNDER COVER



3/8-16 TAP - .56 DEEP
4 REQ'D ON A
5.875 DIA BC

MAXIMUM FACE RUNOUT .004 TIR
MAXIMUM PILOT ECCENTRICITY .004 TIR
PERMISSIBLE SHAFT RUNOUT .002 TIR

				TOLERANCES UNLESS OTHERWISE SPECIFIED			LEESON ELECTRIC CORPORATION			
				DEC.	INCHES	METRIC				
				.X	±.1	±2.5	DRAWN BPW 01/06/00			
				.XX	±.03	±.75	APPR. JK 01/31/00			
01 ADDED DECALS				RLW 8/24/01	.XXX	±.005	±.127	R.F.P.		
NO. REVISION				BY & DATE	CH'K'D.	.XXXX	±.0005	±.0127	SCALE	3=8
THIS DRAWING IN DESIGN AND DETAIL IS OUR PROPERTY AND MUST NOT BE USED EXCEPT IN CONNECTION WITH OUR WORK ALL RIGHTS OF DESIGN AND INVENTION ARE RESERVED THIS IS AN ELECTRONICALLY GENERATED DOCUMENT - DO NOT SCALE THIS PRINT				FRACTIONS		±1/64	REF.	034218	FINISH	STANDARD
				ANGLES		±1/2°	FMF		REV.	01

BRF

```
ERROR: undefined
OFFENDING COMMAND: P

STACK:
```