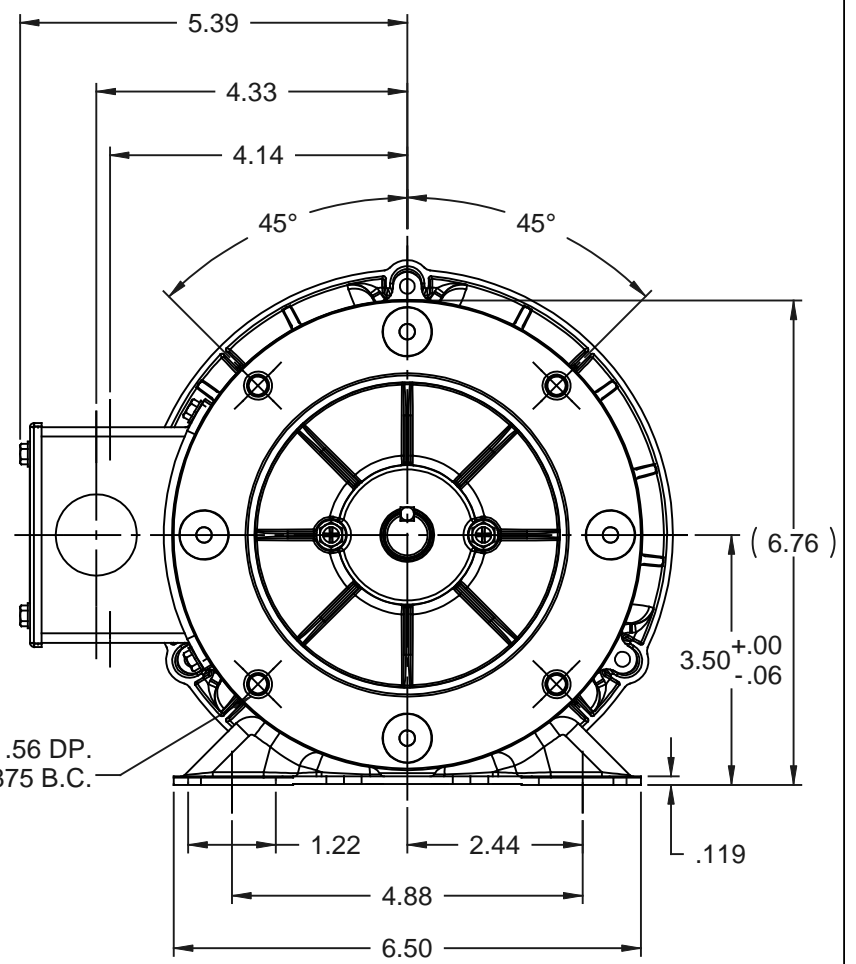
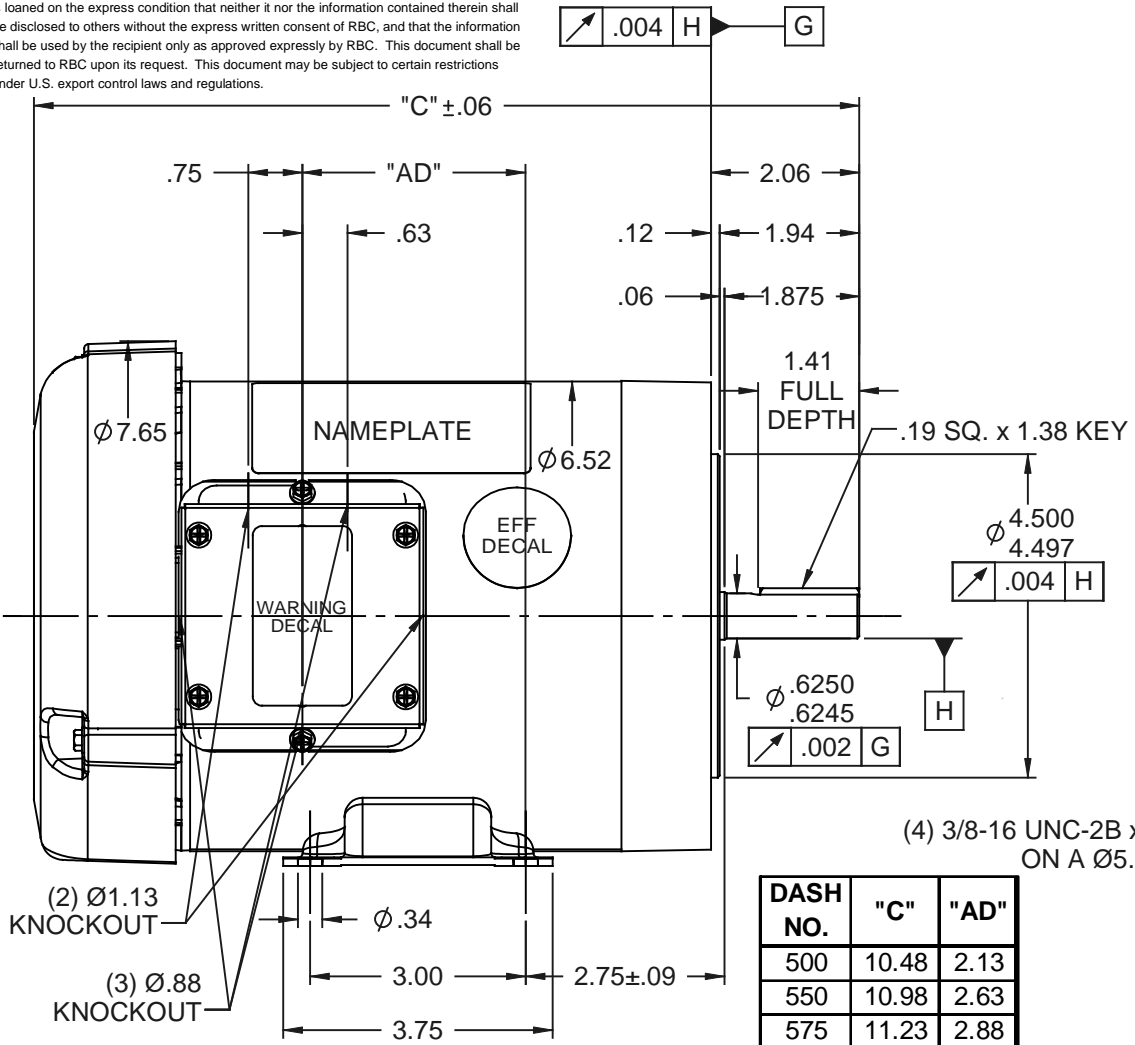


RBC PROPRIETARY AND CONFIDENTIAL INFORMATION
 This document is the property of REGAL BELOIT CORPORATION ("RBC") including its subsidiaries and divisions and contains proprietary information of RBC. This document is loaned on the express condition that neither it nor the information contained therein shall be disclosed to others without the express written consent of RBC, and that the information shall be used by the recipient only as approved expressly by RBC. This document shall be returned to RBC upon its request. This document may be subject to certain restrictions under U.S. export control laws and regulations.



NOTE:
 1) GASKETS THROUGHOUT

				TOLERANCES UNLESS SPECIFIED		 ELECTRIC MOTORS GEARMOTORS AND DRIVES	DRAWN KMM 08/14/07	
				DEC	INCHES		CHK	
				.X	±.1		APPR	
03	ADDED ITEM #625 (110918.00)	GRB 11/17/2008	DJ	.XX	±.03	TITLE OUTLINE - 56C FRAME TEFC - RIGID "C" FACE MAT'L FINISH GENERAL PURPOSE	SCALE	3:8
02	ADDED DASH 575 PER ISAAC 08-4485	DJ 10/8/2008		.XXX	±.005		REF	028509
01	REVISED GD&T POSITIONING & CALLOUT	KMM 8/27/07		.XXXX	±.0005		FMF	110918.00
NO	REVISION	BY & DATE	CHK	ANG	±1/2°		PAGE	OF
THIRD ANGLE PROJECTION				RFP	PREV	SIZE	DRAWING NO	
				NETWORK FILE NAME 028784		A	028784	
								REV
								03