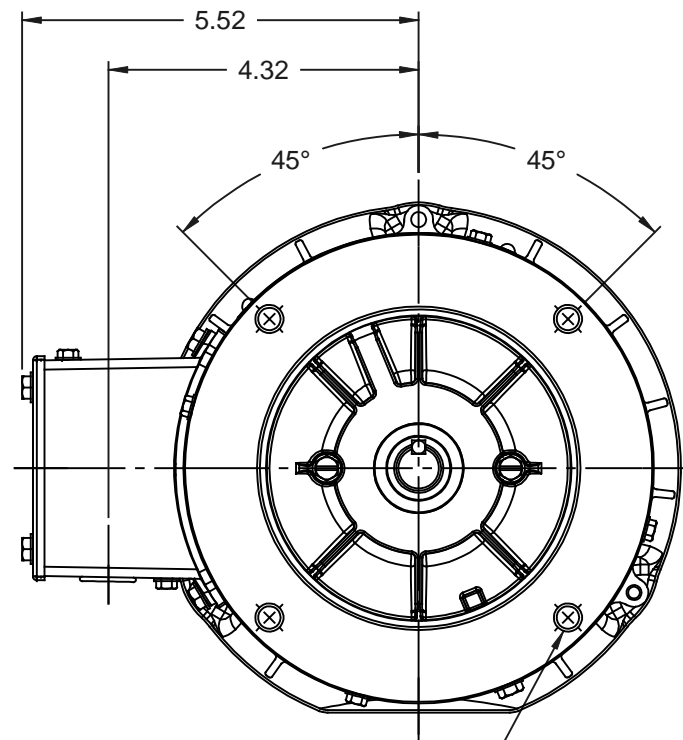
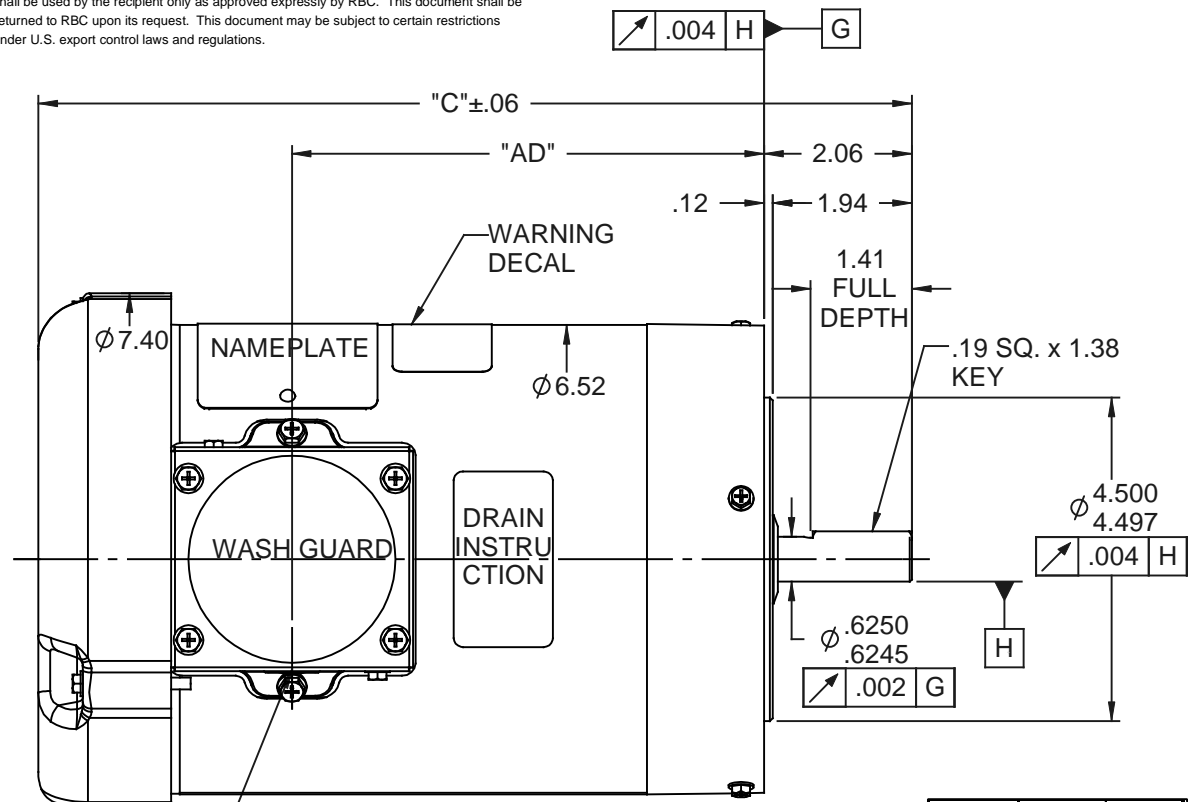


This document is the property of REGAL BELOIT CORPORATION ("RBC") including its subsidiaries and divisions and contains proprietary information of RBC. This document is loaned on the express condition that neither it nor the information contained therein shall be disclosed to others without the express written consent of RBC, and that the information shall be used by the recipient only as approved expressly by RBC. This document shall be returned to RBC upon its request. This document may be subject to certain restrictions under U.S. export control laws and regulations.



(1) 1/2-14 NPT (PLUGGED)

(4) 3/8-16 UNC-2B x .56 DP. ON A Ø5.875 B.C.

WASHGUARD FEATURES:

- 1) SHAFT SEALS & V-RING.
- 2) PLUGGED DRAIN HOLES IN ENDBELLS & CONDUIT BOX.
- 3) GASKETS THROUGHOUT.
- 4) STAINLESS STEEL SHAFT, HARDWARE, & NAMEPLATE

DASH NO.	"C"	"AD"
450	10.16	4.50
500	10.66	5.00
550	11.16	5.50
600	11.66	6.00
650	12.16	6.50
675	12.41	6.75
700	12.66	7.00

				TOLERANCES UNLESS SPECIFIED		ELECTRIC MOTORS GEARMOTORS AND DRIVES	DRAWN KMM 11/02/07
				DEC	INCHES		CHK
				.X	±.1		APPR
				.XX	±.03		SCALE 3:8
				.XXX	±.005	TITLE OUTLINE - 56C FRAME TEFC - "C" FACE	REF OL114616
01	ADDED ITEM #675 (114616.00)	GRB 11/20/2008	DJ	.XXXX	±.0005	MAT'L	FMF 114616.00
NO	REVISION	BY & DATE	CHK	ANG	±1/2°	FINISH GENERAL PURPOSE	PAGE OF
THIRD ANGLE PROJECTION			RFP	PREV	SIZE	DRAWING NO	REV
			NETWORK FILE NAME	028808	<b>A</b>	<b>028808</b>	<b>01</b>