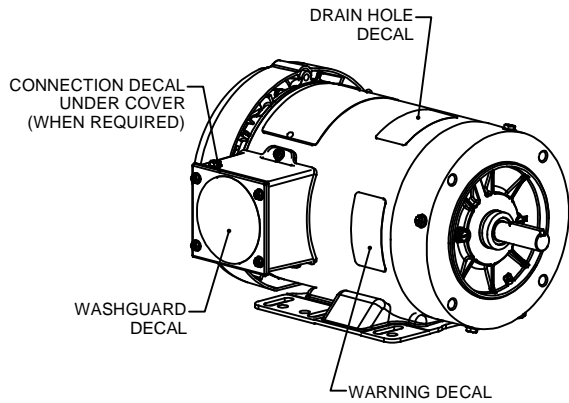
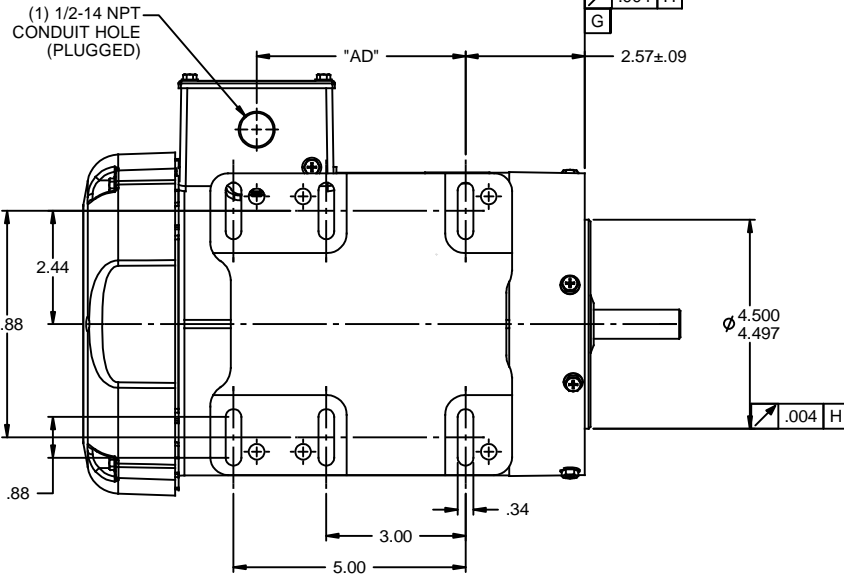


3/8-16 UNC-2B x .56 DEEP
(4) REQ'D. ON A Ø5.875 B.C.



WASHGUARD MOTOR

- SPECIAL FEATURES:
1. SHAFT SEALS & V-RING.
 2. PLUGGED DRAIN HOLES IN ENDBELLS & CONDUIT BOX.
 3. BUNA-N GASKETS THROUGHOUT.
 4. STAINLESS STEEL SHAFT, HARDWARE & NAMEPLATE.

DASH NO.	"C"	"AD"
700	12.87	4.50
725	13.12	4.75
750	13.37	5.00
775	13.62	5.25
800	13.87	5.50
825	14.12	5.75
850	14.37	6.00

TOLERANCES UNLESS SPECIFIED		ELECTRIC MOTORS GEARMOTORS AND DRIVES		DRAWN PG 02/08/11	
DEC	INCHES			CHK	
X	±.1			APPR	
.XX	±.03			SCALE	3:8
.XXX	±.005			REF	028812
.XXXX	±.0005	MATL	WASHGUARD	FMF	115745.00
NO	REVISION	BY & DATE	FINISH	PAGE	OF
THIRD ANGLE PROJECTION			RFP	PREV	SIZE
			NETWORK FILE NAME	607-0004	DRAWING NO
					B
					607-0004
					REV