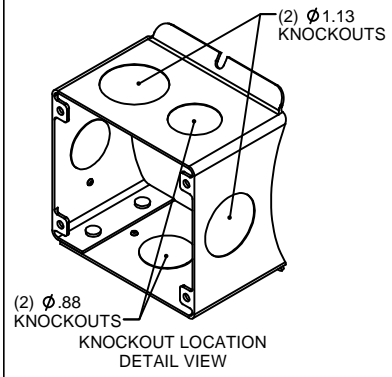


CONNECTION DECAL UNDER COVER WHEN REQUIRED

(4) 3/8-16 UNC-2B x .56 DEEP ON A Ø5.875 B.C.



DASH NO.	"C"	"AD"
500	15.66	5.07
550	16.16	5.57
600	16.66	6.07
650	17.16	6.57
700	17.66	7.07

NOTE:
1) GASKETS THROUGHOUT

		TOLERANCES UNLESS SPECIFIED		ELECTRIC MOTORS GERMOTORS AND DRIVES	DRAWN GRB 07/03/2008 CHK DJ 07/03/2008 APPR
		DEC	INCHES		SCALE 1:2
		x	±.1		REF 028822
		.XX	±.03		FMF 121556
		.XXX	±.005	TITLE OUTLINE - 56 FRAME	PAGE OF
		.XXXx	±.0005	TEFC - "C" FACE - BRAKEMOTOR	REV
NO	REVISION	BY & DATE	CHK ANG ±1/2°	FINISH	
	THIRD ANGLE PROJECTION		RFP	PREV	SIZE DRAWING NO
			NETWORK FILE NAME 028845		B 028845