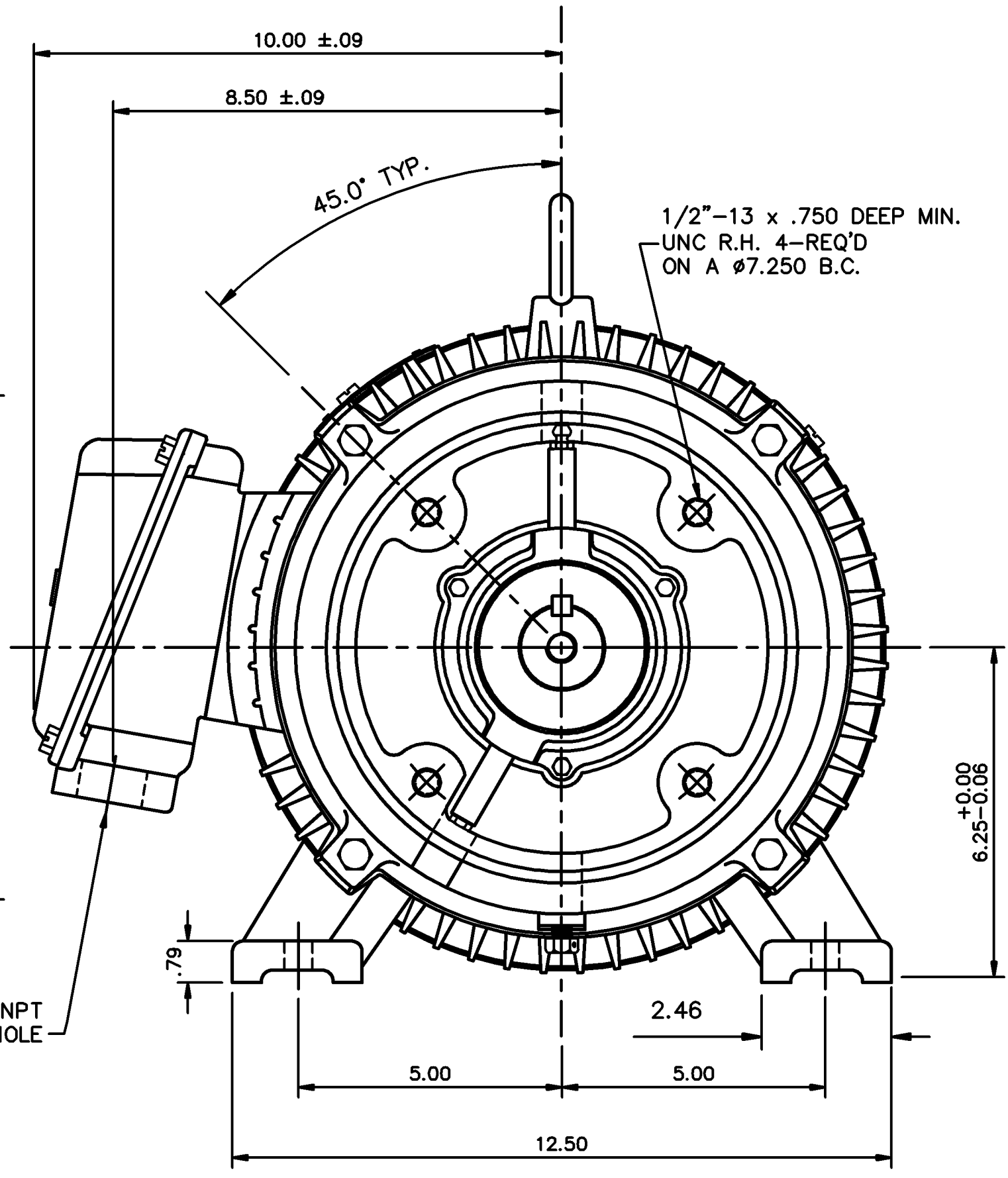
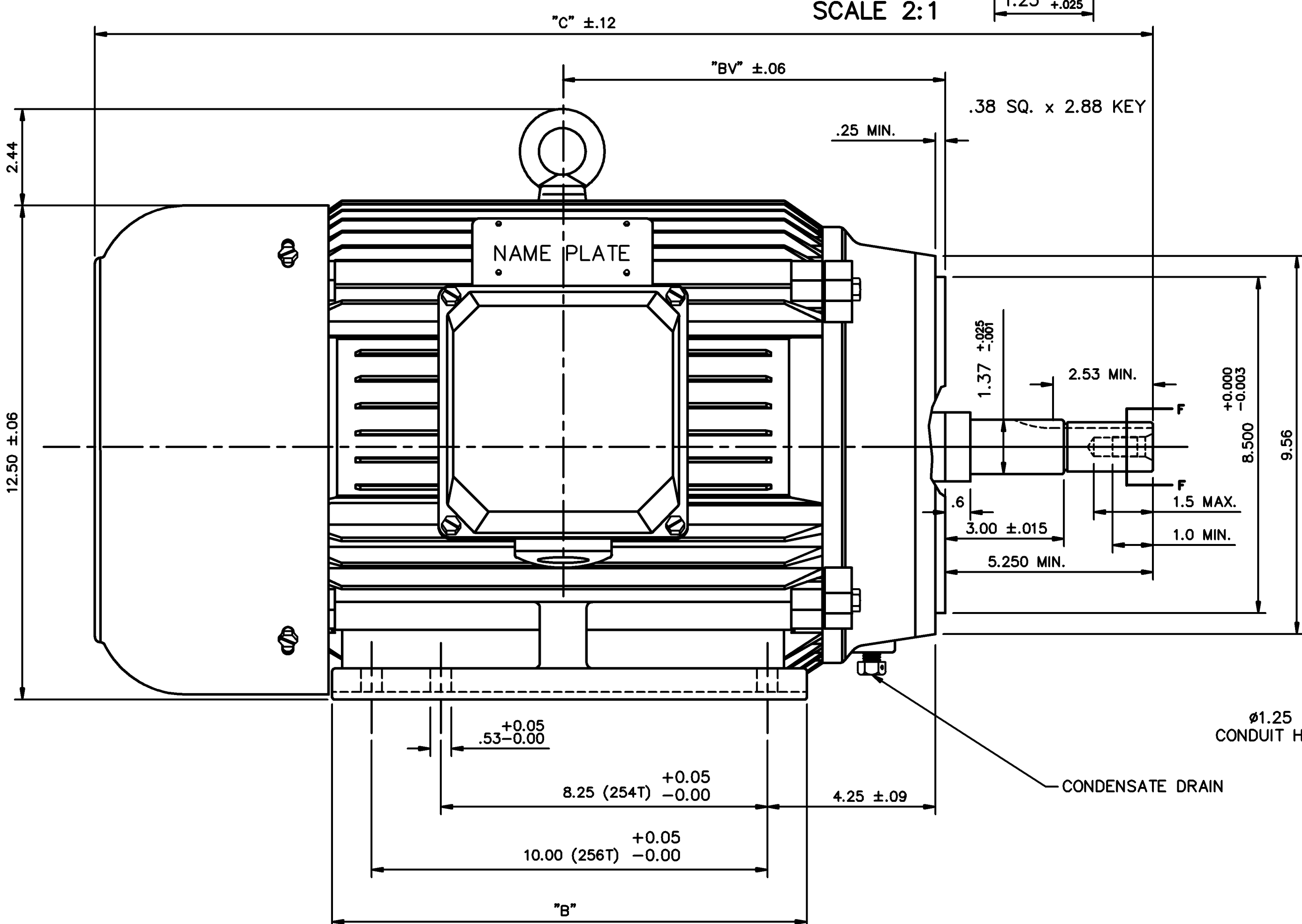


SCALE 2:1



NOTE: 256T HAS 6 MTG. HOLES, USING BOTH 254T AND 256T "2F" LOCATIONS.

FRAME	"C"	"B"	"BV"
254T	23.80	10.25	9.16
256T	25.50	12.00	10.01

		TOLERANCES UNLESS SPECIFIED		ELECTRIC MOTORS GEARMOTORS AND DRIVES	DRAWN DRZ 05/23/01
		DEC.	METRIC		CHK
		.X	±2.5		APPD
		.XX	±.76		SCALE 5=16
		.XXX	±.127	TITLE	REF
01 REDRAWN TO CURRENT CAD STANDARDS		CJK	8/6/01	MATL.	FMF
NO. REVISION		BY & DATE	CHK	FINISH	PREV
			ANG	±1/2'	
THIS DRAWING IN DESIGN AND DETAIL IS OUR PROPERTY AND MUST NOT BE USED EXCEPT IN CONNECTION WITH OUR WORK ALL RIGHTS OF DESIGN AND INVENTION ARE RESERVED THIS IS AN ELECTRONICALLY GENERATED DOCUMENT - DO NOT SCALE THIS PRINT				RFP	
				DIST	
				CAD FILE	16991600
				SIZE	DRAWING NO.
				B	169916
				REV.	01