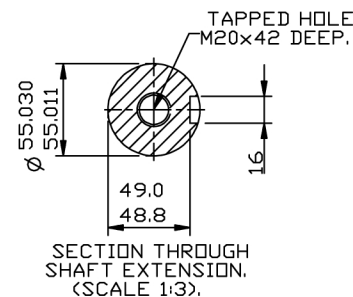
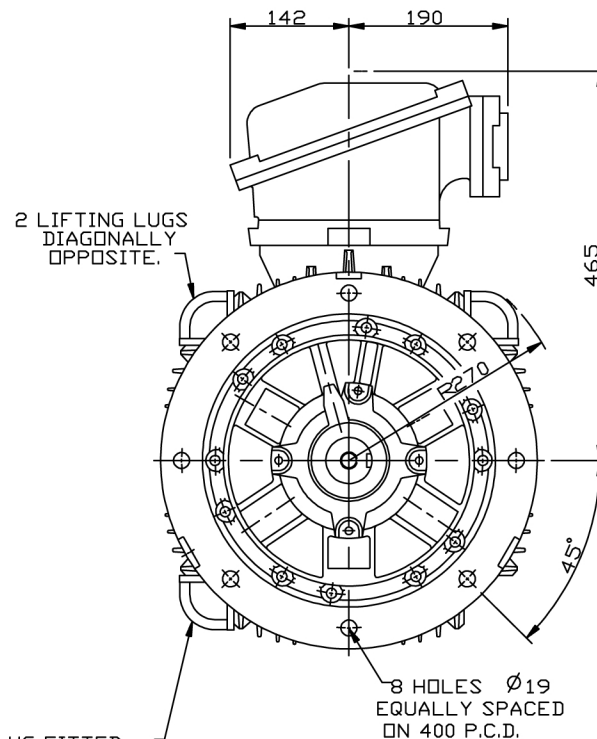


NOTE:-  
CABLE ENTRY CAN BE SUPPLIED IN ANY ONE OF FOUR POSITIONS AT 90 ° INTERVALS.

NOTE!  
STANDARD MACHINES ARE ARRANGED FOR HORIZONTAL OVERHUNG MOUNTING. CUSTOMERS SHOULD NOTIFY US WHEN ORDERING IF VERTICAL MOUNTING IS REQUIRED. IF VERTICAL, THE MOTOR THRUST BEARING MUST NOT BE ALLOWED TO TAKE ANY LOAD OTHER THAN THE WEIGHT OF THE ROTOR WITHOUT OUR APPROVAL.



THIS LIFTING LUG FITTED ONLY WHEN MOTOR IS VERTICALLY MOUNTED.

CUSTOMER		
ORDER No.		
SERIAL No.		
FRAME SIZE		
KW	R.P.M.	
Hz	PHASE 3	
VOLTS	POLES	
BRGS.	D.F	N.D.F
MOTOR NETT. WT.	Kg.	
INSULATION CLASS		
TEMPERATURE RISE °C		
DESIGN AMBIENT TEMPERATURE °C		
HEATER WATTS & VOLTS (IF FITTED)		
- WATTS, - VOLTS		

REMARKS

EEx de IIB  
BASEEFA CERTIFICATE  
No. Ex98E1118X  
or  
EEx de IIC  
BASEEFA CERTIFICATE  
No. Ex98E1119X.

ALL DIMENSIONS IN MILLIMETRES



FIRST ANGLE PROJECTION

NOTE!  
2.5 ENDPLAY WILL BE PROVIDED FOR ENDTHRUST PROTECTION WHEN CUSTOMERS NOTIFY US OF THEIR INTENTION TO USE RIGID COUPLINGS AND DRIVEN MACHINES WITHOUT ENDPLAY.

OUTLINE DIMENSIONS OF STANDARD FLANGE MOUNTED METRIC A.C MOTOR TO BS4999 PART 141. EEx de TO EN50014/18/19. TOTALLY ENCLOSED FAN VENTILATED. FRAME SIZE: W-EF225M-D (2 POLE ONLY).

SCALE	1/6	DATE
DRAWN	LM	24.1.00
CHECKED	J.M.L	24.1.00
APPROVED	J.M.L	24.1.00

DRG. No. M70241

REVISION: DATE