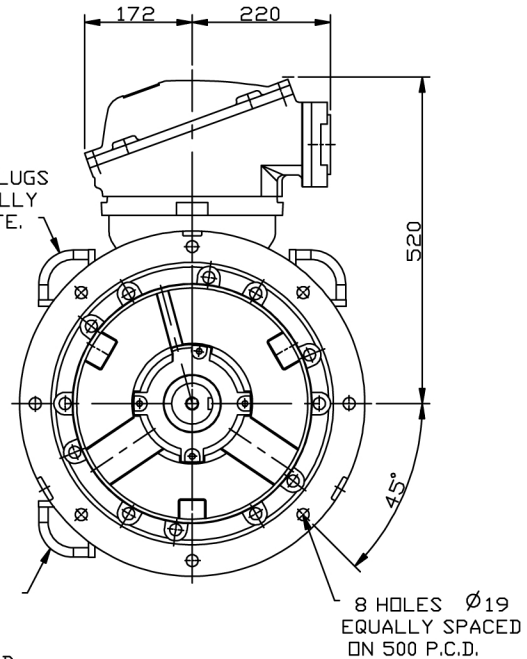


CABLE ENTRIES:
 MAINS-M50 CONDUIT(ISO)
 AUX.-M20 CONDUIT(ISO).

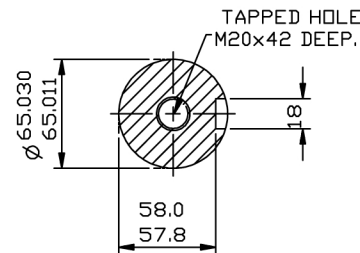
M10 EXTERNAL
 EARTH POSITION.

2 LIFTING LUGS
 DIAGONALLY
 OPPOSITE.



THIS LIFTING LUG
 FITTED ONLY
 WHEN MOTOR IS
 VERTICALLY MOUNTED.

8 HOLES $\phi 19$
 EQUALLY SPACED
 ON 500 P.C.D.



SECTION THROUGH
 SHAFT EXTENSION.
 (SCALE 1:3).

NOTE!
 CABLE ENTRY CAN BE SUPPLIED
 IN ANY ONE OF FOUR POSITIONS
 AT 90° INTERVALS.

NOTE!
 STANDARD MACHINES ARE ARRANGED FOR HORIZONTAL OVERHUNG MOUNTING.
 CUSTOMERS SHOULD NOTIFY US WHEN ORDERING IF VERTICAL MOUNTING
 IS REQUIRED. IF VERTICAL, THE MOTOR THRUST BEARING MUST NOT BE
 ALLOWED TO TAKE ANY LOAD OTHER THAN THE WEIGHT OF THE ROTOR
 WITHOUT OUR APPROVAL.

| | |
|----------------------------------|---------|
| CUSTOMER | |
| ORDER No. | |
| SERIAL No. | |
| FRAME SIZE | |
| KW | R.P.M. |
| Hz | PHASE 3 |
| VOLTS | POLES |
| BRGS. D.F | N.D.F |
| MOTOR NETT. WT. | Kg. |
| INSULATION CLASS | |
| TEMPERATURE RISE °C | |
| DESIGN AMBIENT TEMPERATURE °C | |
| HEATER WATTS & VOLTS (IF FITTED) | |
| WATTS, VOLTS | |

REMARKS
 EEx de IIB
 BASEEFA CERTIFICATE
 No. Ex99E1042X.

or
 EEx de IIC
 BASEEFA CERTIFICATE
 No. Ex99E1043X.

ALL DIMENSIONS IN MILLIMETRES



FIRST ANGLE
 PROJECTION

NOTE!
 2.5 ENDPLAY WILL BE PROVIDED FOR ENDTHRUST
 PROTECTION WHEN CUSTOMERS NOTIFY US OF THEIR
 INTENTION TO USE RIGID COUPLINGS AND DRIVEN
 MACHINES WITHOUT ENDPLAY.

OUTLINE DIMENSIONS OF STANDARD FLANGE MOUNTED METRIC
 MOTOR TO BS4999 PART 141. EEx de TO EN50014/18/19.
 TOTALLY ENCLOSED FAN VENTILATED.
 FRAME SIZE: W-EF280S-D (2 POLE ONLY).

| | | |
|----------|-------|---------|
| SCALE | 1:8 | DATE |
| DRAWN | LM | 19.4.00 |
| CHECKED | J.M.L | 19.4.00 |
| APPROVED | J.M.L | 19.4.00 |

| | |
|-----------|--------|
| DRG. No. | M70315 |
| REVISION: | DATE |