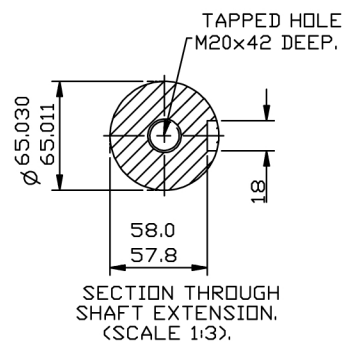


THIS LIFTING LUG FITTED ONLY WHEN MOTOR IS VERTICALLY MOUNTED.



NOTE!
CABLE ENTRY CAN BE SUPPLIED IN ANY ONE OF FOUR POSITIONS AT 90° INTERVALS.

NOTE!
STANDARD MACHINES ARE ARRANGED FOR HORIZONTAL OVERHUNG MOUNTING. CUSTOMERS SHOULD NOTIFY US WHEN ORDERING IF VERTICAL MOUNTING IS REQUIRED. IF VERTICAL, THE MOTOR THRUST BEARING MUST NOT BE ALLOWED TO TAKE ANY LOAD OTHER THAN THE WEIGHT OF THE ROTOR WITHOUT OUR APPROVAL.

CUSTOMER		
ORDER No.		
SERIAL No.		
FRAME SIZE		
KW	R.P.M.	
Hz	PHASE 3	
VOLTS	POLES	
BRGS.	D.F.	N.D.F.
MOTOR NETT. WT.	Kg.	
INSULATION CLASS		
TEMPERATURE RISE °C		
DESIGN AMBIENT TEMPERATURE °C		
HEATER WATTS & VOLTS (IF FITTED)		
WATTS, VOLTS		

REMARKS

EEx de IIB
BASEEFA CERTIFICATE
No. Ex99E1171X

or

EEx de IIB
BASEEFA CERTIFICATE
No. Ex99E1172X T4.

ALL DIMENSIONS IN MILLIMETRES	
	FIRST ANGLE PROJECTION

NOTE!
2.5 ENDPLAY WILL BE PROVIDED FOR ENDTHRUST PROTECTION WHEN CUSTOMERS NOTIFY US OF THEIR INTENTION TO USE RIGID COUPLINGS AND DRIVEN MACHINES WITHOUT ENDPLAY.

OUTLINE DIMENSIONS OF STANDARD FLANGE MOUNTED METRIC A.C. MOTOR TO BS4999 PART 141. EEx de TO EN50014/18/19. TOTALLY ENCLOSED FAN VENTILATED. FRAME SIZE: W-EF280M-D (2 POLE ONLY.)

SCALE	1/8	DATE
DRAWN	LM	19.4.00
CHECKED	J.M.L	19.4.00
APPROVED	J.M.L	19.4.00

DRG. No.	M70316
REVISION:	DATE