

PRODUCT INFORMATION PACKET



Model No: A6K17DR6L

Catalog No: 110579.00

1 1/2HP..1725RPM.56H.DP.115/208-230V.1PH.60HZ.CONT.40C.1.15SF.RESIL..AUTOMATIC.....

Open Drip Proof (ODP)



Regal and Leeson are trademarks of Regal Beloit Corporation or one of its affiliated companies.

©2018 Regal Beloit Corporation, All Rights Reserved. MC017097E





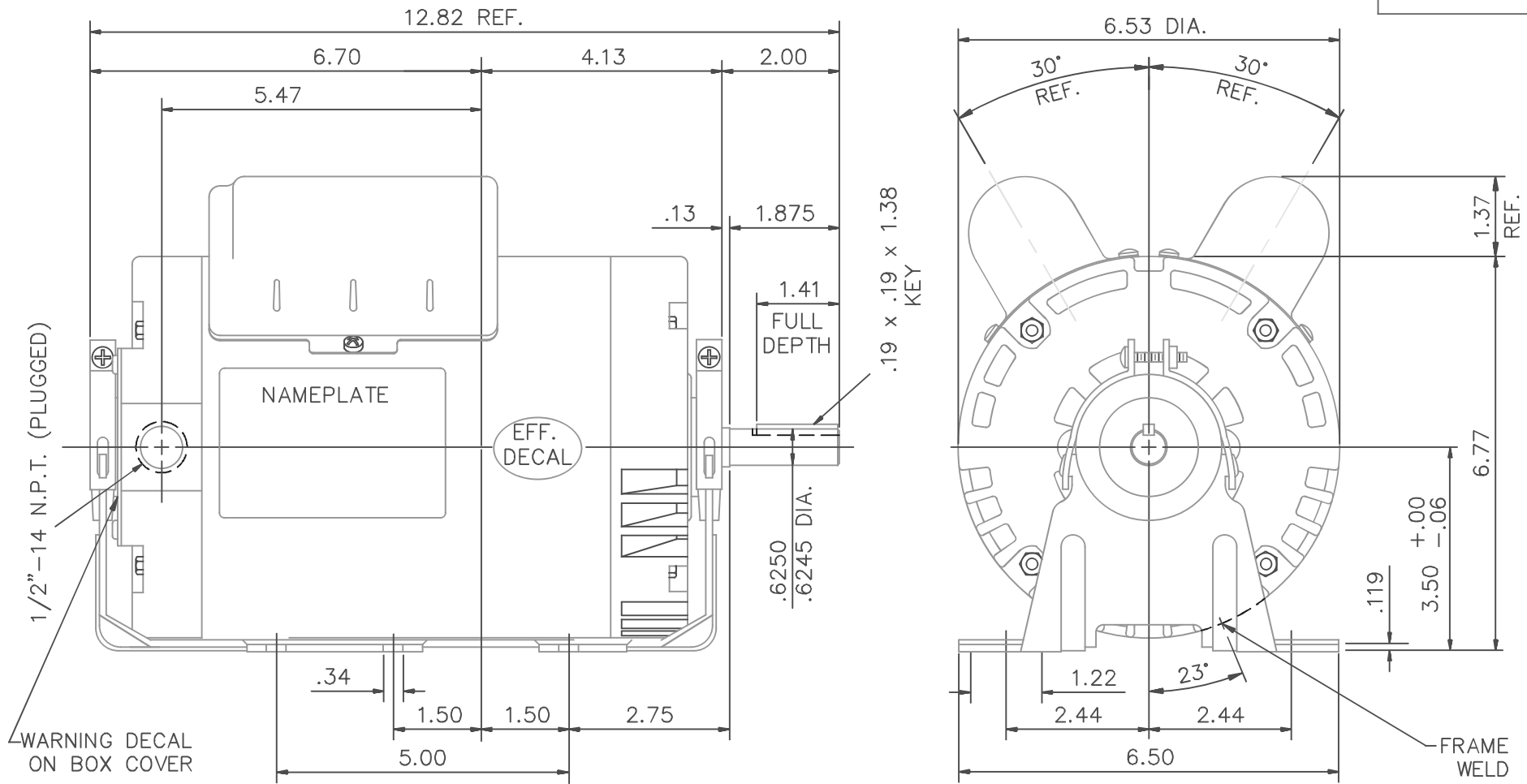
Nameplate Specifications

| | | | |
|----------------------------|----------------|------------------------|---------------|
| Output HP | 1.50 Hp | Output KW | 1.1 kW |
| Frequency | 60 Hz | Voltage | 115/208-230 V |
| Current | 14.4/7.7-7.2 A | Speed | 1725 rpm |
| Service Factor | 1.15 | Phase | 1 |
| Efficiency | 81 % | Duty | Continuous |
| Insulation Class | B | Design Code | M |
| KVA Code | G | Frame | 56H |
| Enclosure | Drip Proof | Overload Protector | Automatic |
| Ambient Temperature | 40 °C | Drive End Bearing Size | 6203 |
| Opp Drive End Bearing Size | 6203 | UL | Recognized |
| CSA | Y | CE | N |
| IP Code | 22 | | |

Technical Specifications

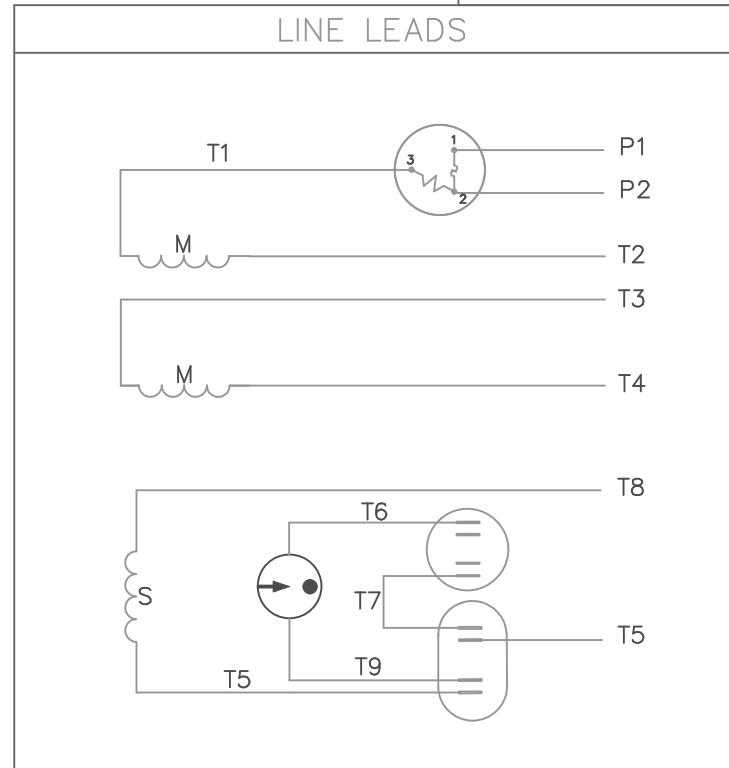
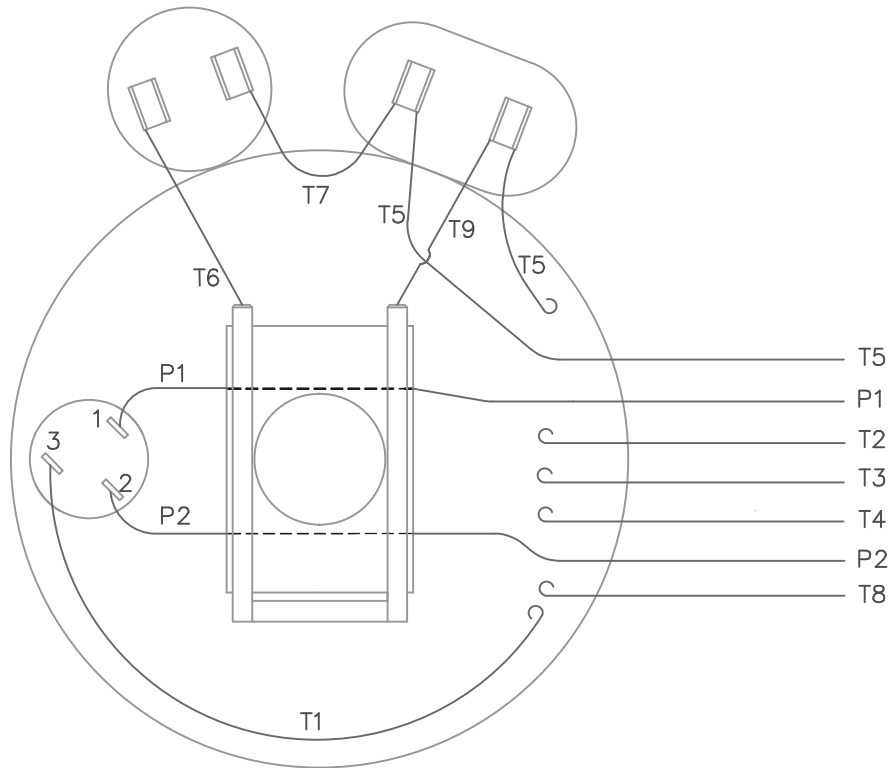
| | | | |
|-----------------------|-------------------------------|-----------------------|----------------------------|
| Electrical Type | Capacitor Start Capacitor Run | Starting Method | Across The Line |
| Poles | 4 | Rotation | Selective Counterclockwise |
| Mounting | Resilient Base | Motor Orientation | HORIZONTAL |
| Drive End Bearing | BALL | Opp Drive End Bearing | BALL |
| Frame Material | Rolled Steel | Shaft Type | NEMA 56 |
| Overall Length | 12.82 in | Frame Length | 7.00 in |
| Shaft Diameter | 0.625 in | Shaft Extension | 1.88 in |
| Assembly/Box Mounting | F1 ONLY | | |
| Outline Drawing | OL110579 | Connection Diagram | 005053.01 |

OL110579



| | | | | TOLERANCES UNLESS OTHERWISE SPECIFIED | | LEESON ELECTRIC CORPORATION | | | | |
|---|--|--------|---------|---------------------------------------|---------|-----------------------------|--------------|-----------------------------|------|----------------------|
| | | | | DECIMALS | | | | | | |
| 03 | NAMEPLATE WAS METAL, REMOVED CONN. DECAL | | | | | DRAWN | BPW 01/06/00 | TITLE | | OUTLINE - G56H FRAME |
| | REVISED FRAME WELD ECO 0044673 | GWS | 1/30/14 | .00 | ± .01 | CH'K'D. | | OPEN DRIP-PROOF RESIL. BASE | | |
| 02 | MOVED WARNING DECAL TO BICB COVER | SK ARV | 7/12/13 | .000 | ± .005 | APPR. | | MAT'L. | | |
| 01 | ADDED DECALS | RLW | 8/27/01 | .0000 | ± .0005 | SCALE | .375=1 | | | |
| NO. | REVISION | BY | DATE | FRACTIONS | ± 1/64 | REF. | 034021 | FINISH | SIZE | DRAWING NO. |
| THIS DRAWING IN DESIGN AND DETAIL IS OUR PROPERTY AND MUST NOT BE USED EXCEPT IN CONNECTION WITH OUR WORK ALL RIGHTS OF DESIGN AND INVENTION ARE RESERVED | | | | ANGLES | ± 1/2° | FMF | | STOCK | A | OL110579 |
| | | | | INCH/MM | | | | | | |

VIEW FROM OUTSIDE OF MOTOR AT SWITCH END.



| | ROTATION FACING LEAD END | L1 | L2 | JOIN | INSULATE SEPARATELY |
|--------------|--------------------------------|----|-------------|-------------|------------------------|
| HIGH VOLT | C.C.W. | P1 | T4 T5 | T2,T3 T8 | P2 |
| | C.W. | P1 | T4 T8 | T2,T3 T5 | P2 |
| LOW VOLT | C.C.W. | P1 | T2,T4 T5 | P2,T3 T8 | --- |
| | C.W. | P1 | T2,T4 T8 | P2,T3 T5 | --- |

| | | | | TOLERANCES UNLESS OTHERWISE SPECIFIED | |
|-----|----------------|-----|----------|---------------------------------------|---------|
| | | | | DECIMALS | |
| | | | | .00 | ± .01 |
| | | | | .000 | ± .005 |
| 18 | REDRAWN ON CAD | DBT | 05/27/97 | .0000 | ± .0005 |
| NO. | REVISION | BY | DATE | FRACTIONS | ± 1/64 |
| | | | | ANGLES | ± 1/2° |
| | | | | INCH/MM | |

LEESON ELECTRIC CORPORATION

DRAWN JRW 09/26/74 TITLE EXTERNAL WIRING DIAGRAM
CH'K'D. TYPE "K" W/PROTECTOR

APPR. TEM MAT'L. DECAL 004011 **BRF**

SCALE 1=1 REF. 005004 FINISH SIZE A DRAWING NO. 005053-01

FMF W-K 6341

THIS DRAWING IN DESIGN AND DETAIL IS OUR PROPERTY AND MUST NOT BE USED EXCEPT IN CONNECTION WITH OUR WORK ALL RIGHTS OF DESIGN AND INVENTION ARE RESERVED



LEESON ELECTRIC CORPORATION
TYPICAL PERFORMANCE CURVE for AC MOTOR

Model No 110579.00

Curve at 230
60
1.5

Volts
HZ
HP

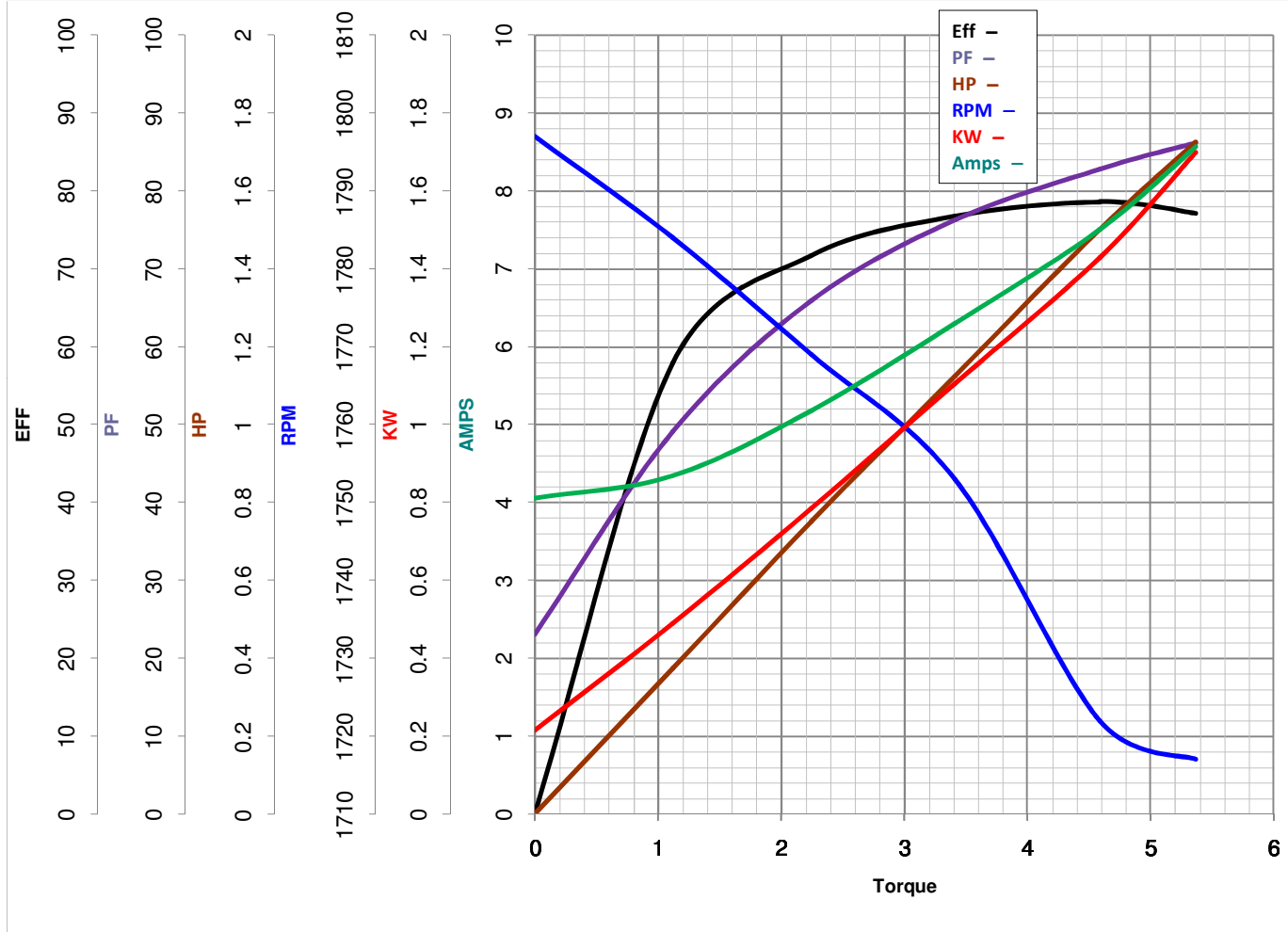
HP 1.50
VOLTS 115/208-230

PHASE 1

Catalog No 110579.00

HZ 60

RPM 1725



Torque in lb-Ft

FL TORQUE 4.59 lb-Ft
BD TORQUE 10.1 lb-Ft
LR TORQUE 11.3 lb-Ft

FL AMPS 14.4/7.7-7.2
PU TORQUE 8.1 lb-Ft
LR AMPS 40

WINDING K634276-3

Date 3/23/2018