

# **BALDOR**® • *RELIANCE*

**Product Information Packet**

**ELECTRIC MOTOR WHOLESAL.COM**

**BM3614T**

**2HP,1140RPM,3PH,60HZ,184T,BRAKE,3628M**

Part Detail							
Revision:	Y	Status:	PRD/A	Change #:		Proprietary:	No
Type:	AC	Prod. Type:	3628M	Elec. Spec:	36WG0197	CD Diagram:	
Enclosure:	TEFC	Mfg Plant:		Mech. Spec:	36A021	Layout:	
Frame:	184T	Mounting:	F1	Poles:	06	Created Date:	
Base:	RG	Rotation:	R	Insulation:	B	Eff. Date:	06-15-2009
Leads:	9#16	Literature:		Elec. Diagram:		Replaced By:	

Nameplate NP1256L									
CAT.NO.	BM3614T								
SPEC.	36A21-197-D								
HP	2								
VOLTS	208-230/460								
AMP	6.7-6.6/3.3								
RPM	1140								
FRAME	184T	HZ			60	PH	3		
SER.F.	1.15	CODE			H	DES	B	CLASS	B
NEMA-NOM-EFF	80	PF			75				
RATING	40C AMB-CONT								
CC				USABLE AT 208V		6.7			
DE	6206	ODE			6205				
ENCL	TEFC	SN							

Parts List		
Part Number	Description	Quantity
SA034089	SA 36A21-197-D	1.000 EA
RA030117	RA 36A21-197-D	1.000 EA
36CB3004	36 CB CASTING W/1.09 DIA LEAD HOLE @ 6:0	1.000 EA
36GS1000SP	GASKET-CONDUIT BOX, .06 THICK #SV-330 LE	1.000 EA
51XB1016A07	10-16 X 7/16 HXWSSLD SERTYB	2.000 EA
11XW1032G06	10-32 X .38, TAPTITE II, HEX WSHR SLTD U	1.000 EA
HW3001B01	003SS CUP WASHER, FOR #8 SCREW	1.000 EA
36EP3306A05	FR ENDPLATE, TAP FOR T-BOLT, W/O TIGHTSL	1.000 EA
HW4500A01	1641B(ALEMITE)400 UNIV, GREASE FITT	1.000 EA
HW5100A05	WVY WSHR F/205 & 304 BRGS	1.000 EA
36EP3100A02	PU ENDPLATE, MACH	1.000 EA
HW4500A01	1641B(ALEMITE)400 UNIV, GREASE FITT	1.000 EA
HW2501D08	KEY, 3/16 SQ X .875 AUTO	1.000 EA
51XB1214A16	12-14X1.00 HXWSSLD SERTYB	1.000 EA
HW2500A16	EY, USA #606, WOODRUFF	1.000 EA
36FH4009A05SP	IEC FH,GREASER & 1.38 SHAFT HOLE,W/ AUTO	1.000 EA
51XW1032A06	10-32 X .38, TAPTITE II, HEX WSHR SLTD S	3.000 EA
36CB4516	36 LIPPED CB LID	1.000 EA
37GS1001SP	GASKET, CONDUIT BOX LID, .06 THICK LEXID	1.000 EA
51XW0832A07	8-32 X .44, TAPTITE II, HEX WSHR SLTD SE	4.000 EA
HW2501E16	KEY, 1/4 SQ X 1.750	1.000 EA
HA7000A02	KEY RETAINER RING, 1 1/8 DIA, 1 3/8 DIA	1.000 EA
85XU0407S04	4X1/4 U DRIVE PIN STAINLESS	2.000 EA
MJ1000A75	GREASE, POLYREX EM EXXON	0.050 LB

Parts List (continued)		
Part Number	Description	Quantity
84XN3816J28	HEX SOC HD, 3/8-16 X 1.75 LONG	2.000 EA
36FN3000A02SP	EXFN, PLASTIC, 7.00 OD, 1.175 ID	1.000 EA
MG1000G27	PAINT- S9282E CHARCOAL GREY	0.022 GA
HA3101A26	THRUBOLT- 1/4-20 X 11.375	4.000 EA
76BK4100DPF	1-056-041-00-DPF BRAKE TDR# 79345	1.000 EA
LB1125C01	STD (STOCK) CARTON LABEL BALDOR WITH FLA	1.000 EA
LB1185	LABEL,BRAKE CONNECTION (ON ROLLS)	1.000 EA
LC0005E01	CONN.DIA./WARNING LABEL (LC0005/LB1119)	1.000 EA
NP1256L	ALUM, UL CSA CC, W/O THERMAL, LASER	1.000 EA
GOPA1000	PACKAGING GROUP	1.000 EA

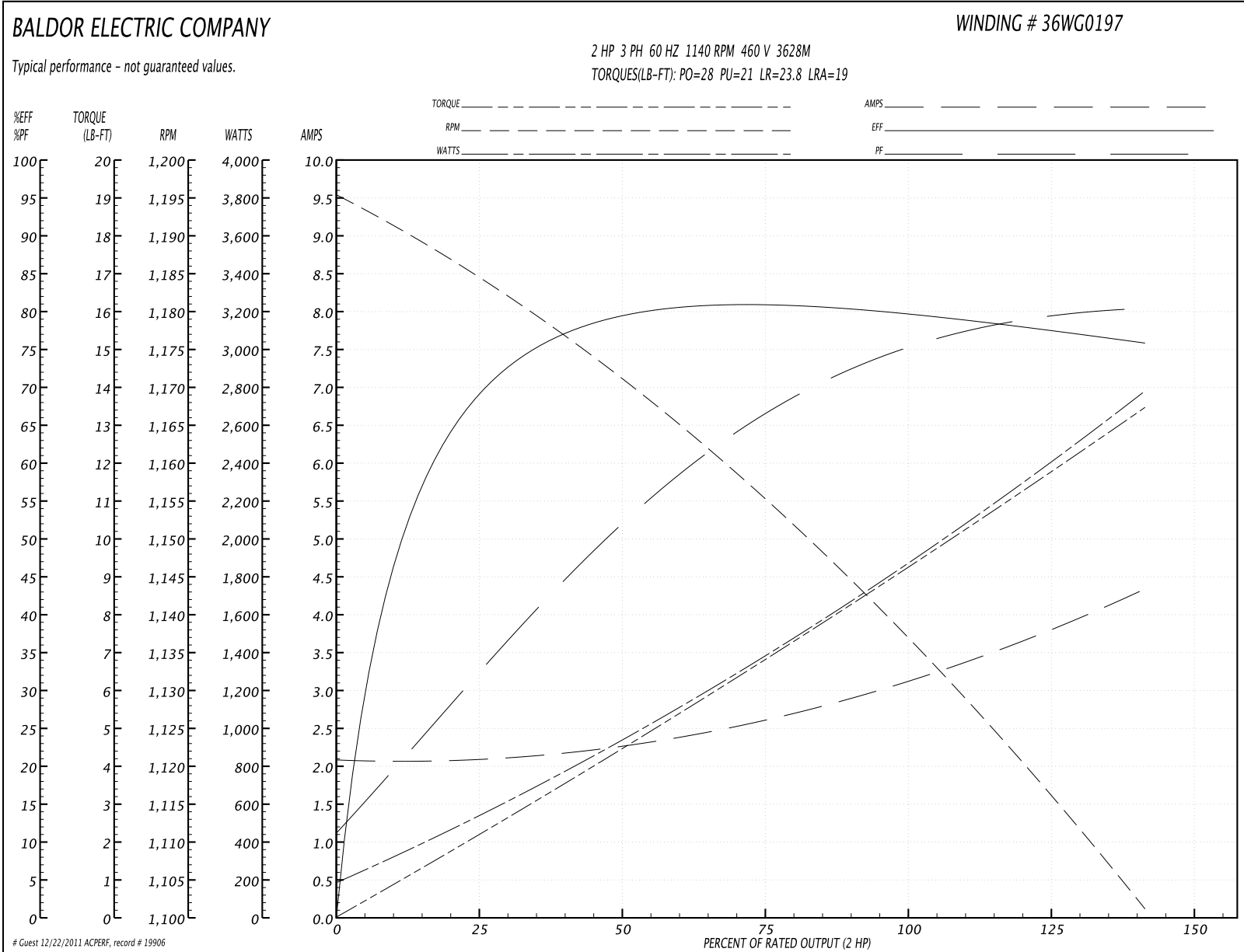
**Performance Data at 460V, 60Hz, 2.0HP (Typical performance - Not guaranteed values)**
**General Characteristics**

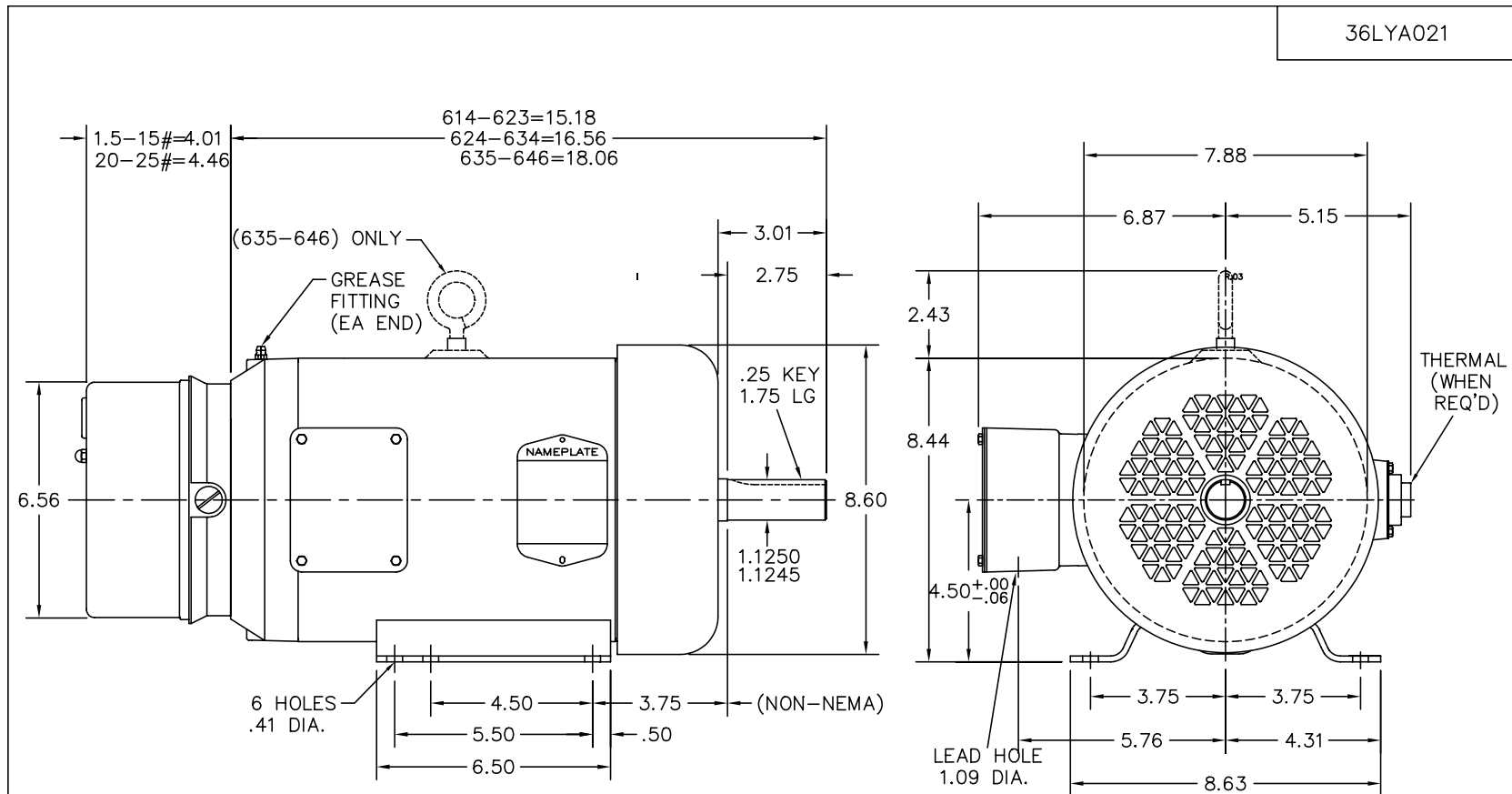
<b>Full Load Torque:</b>	9.0 LB-FT	<b>Start Configuration:</b>	DOL
<b>No-Load Current:</b>	2.1 Amps	<b>Break-Down Torque:</b>	28.0 LB-FT
<b>Line-line Res. @ 25°C.:</b>	8.17 Ohms A Ph / 0.0 Ohms B Ph	<b>Pull-Up Torque:</b>	21.0 LB-FT
<b>Temp. Rise @ Rated Load:</b>	65 C	<b>Locked-Rotor Torque:</b>	23.8 LB-FT
<b>Temp. Rise @ S.F. Load:</b>	79 C	<b>Starting Current:</b>	19.0 Amps

**Load Characteristics**

<b>% of Rated Load</b>	<b>25</b>	<b>50</b>	<b>75</b>	<b>100</b>	<b>125</b>	<b>150</b>	<b>S.F.</b>
<b>Power Factor:</b>	37.0	59.0	69.0	75.0	81.0	82.0	79.0
<b>Efficiency:</b>	69.7	79.0	80.6	80.0	78.4	75.6	79.0
<b>Speed:</b>	1184.0	1170.0	1156.0	1139.0	1122.0	1100.0	1129.0
<b>Line Amperes:</b>	2.1	2.2	2.6	3.1	3.7	4.3	3.46

Performance Graph at 460V, 60Hz, 2.0HP Typical performance - Not guaranteed values





CUSTOMER IS RESPONSIBLE FOR DETERMINING THAT MOTOR PERFORMANCE IS SUITABLE IN THE APPLICATION.

REV. DESC: 36EP3306A05 WAS 36EP3306A50			
REV. LTR: J	BY: JMB	REVISED: 08/04/00 10:06	TDR: 0214694
120Y A021		FILE: AAA00003638	REF: -
		MTL: -	

**BALDOR ELECTRIC Co.**

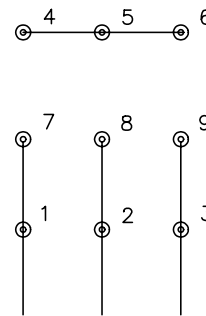
HORZ 182-4T TEFC 36M W/BRAKE

36LYA021

CD0005

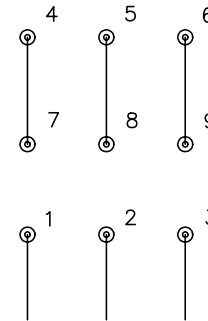


LOW VOLTAGE  
(2Y)



LINE

HIGH VOLTAGE  
(1Y)



LINE

NOTES:

1. INTERCHANGE ANY TWO LINE LEADS TO REVERSE ROTATION.
2. OPTIONAL THERMOSTATS ARE PROVIDED WHEN SPECIFIED.
3. ACTUAL NUMBER OF INTERNAL PARALLEL CIRCUITS MAY BE A MULTIPLE OF THOSE SHOWN ABOVE.
4. LEAD COLORS ARE OPTIONAL. LEADS MUST ALWAYS BE NUMBERED AS SHOWN.

REV. DESC: REVISE TO SHOW OPTIONAL COLORS			
REV. LTR: E	BY: JLP	REVISED: 01/19/99 10:15	TDR: 0171435
900000		FILE: AAA00005140	MDL: -
		MTL: -	

**BALDOR ELECTRIC Co.**

3PH, DV, 9 LEADS

CD0005