

PRODUCT INFORMATION PACKET



Model No: C184T34WK21B

Catalog No: 132205.00

132205.00..7.5HP..3500RPM.184TC.TEFC.208-230/460V.3PH.60HZ.CONT.40C.1.15SF.RIGID
C.C184T34WK21.....WASHGUARD.NONE.....

General Purpose



Regal and Leeson are trademarks of Regal Beloit Corporation or one of its affiliated companies.

©2018 Regal Beloit Corporation, All Rights Reserved. MC017097E





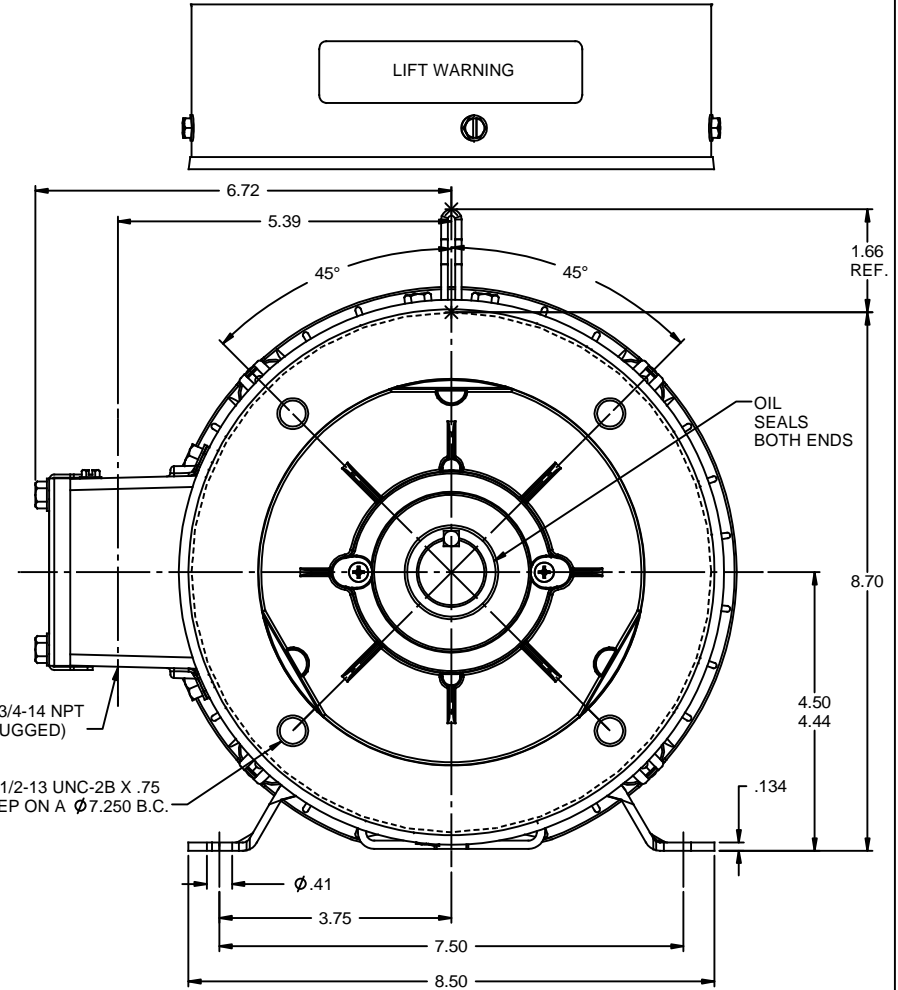
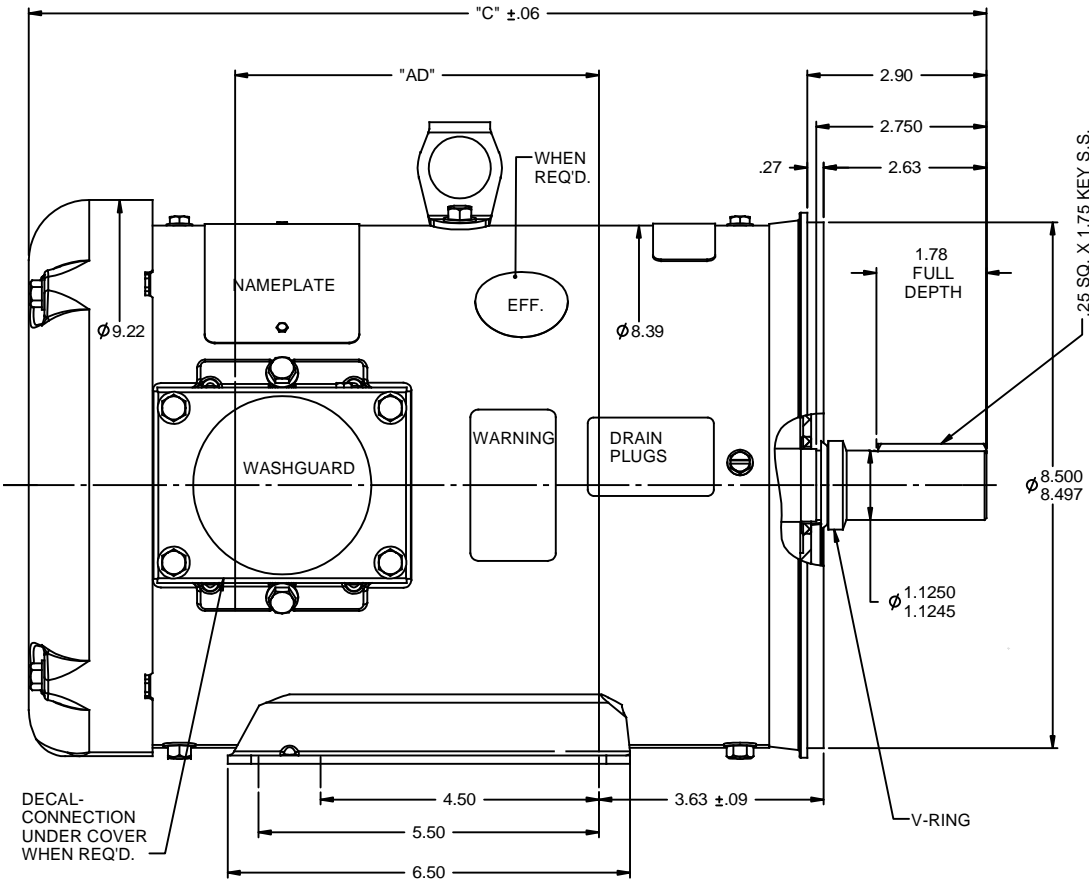
Nameplate Specifications

| | | | |
|----------------------------|-----------------------------|------------------------|------------|
| Output HP | 7.50 Hp | Output KW | 5.6 kW |
| Frequency | 60 Hz | Voltage | 230/460 V |
| Current | 17.6/8.8 A | Speed | 3500 rpm |
| Service Factor | 1.15 | Phase | 3 |
| Efficiency | 89.5 % | Duty | Continuous |
| Insulation Class | F | Design Code | A |
| KVA Code | L | Frame | 184TC |
| Enclosure | Totally Enclosed Fan Cooled | Overload Protector | No |
| Ambient Temperature | 40 °C | Drive End Bearing Size | 6207 |
| Opp Drive End Bearing Size | 6205 | UL | Recognized |
| CSA | Y | CE | Y |
| IP Code | 55 | | |

Technical Specifications

| | | | |
|-----------------------|-----------------------------|-----------------------|-----------------|
| Electrical Type | Squirrel Cage Induction Run | Starting Method | Across The Line |
| Poles | 2 | Rotation | Reversible |
| Mounting | Rigid base | Motor Orientation | HORIZONTAL |
| Drive End Bearing | BALL | Opp Drive End Bearing | BALL |
| Frame Material | Rolled Steel | Shaft Type | T |
| Overall Length | 15.97 in | Frame Length | 10.50 in |
| Shaft Diameter | 1.125 in | Shaft Extension | 2.75 in |
| Assembly/Box Mounting | F1/F2 CAPABLE | | |
| Outline Drawing | 035462-1050 | Connection Diagram | 005010.01 |

RBC PROPRIETARY AND CONFIDENTIAL INFORMATION
 This document is the property of REGAL BELOIT CORPORATION ("RBC") including its subsidiaries and divisions and contains proprietary information of RBC. This document is loaned on the express condition that neither it nor the information contained therein shall be disclosed to others without the express written consent of RBC, and that the information shall be used by the recipient only as approved expressly by RBC. This document shall be returned to RBC upon its request. This document may be subject to certain restrictions under U.S. export control laws and regulations.



SPECIAL FEATURES:
 SHAFT SEALS & V-RING
 DRAIN HOLES IN FRAME & CONDUIT BOX
 STAINLESS STEEL SHAFT, HARDWARE & NAMEPLATE
 GASKETS THROUGHOUT

MAXIMUM FACE RUNOUT TO BE .004 T.I.R.
 MAXIMUM PILOT ECCENTRICITY TO BE .004 T.I.R.
 PERMISSIBLE SHAFT RUNOUT TO BE .002 T.I.R.

| DASH NO. | "C" | "AD" |
|----------|-------|------|
| 900 | 14.47 | 4.87 |
| 950 | 14.97 | 5.37 |
| 1000 | 15.47 | 5.87 |
| 1050 | 15.97 | 6.37 |
| 1100 | 16.47 | 6.87 |
| 1150 | 16.97 | 7.37 |

| REVISION | | BY & DATE | CHK | ANG | FINISH | REV | SIZE | DRAWING NO | REV |
|---|---------------------------------|----------------|-----|------|--------|---|------|------------------------------------|-----|
| 04 | UPDATED PER ISAAC 11-0758 | LST 2/17/2011 | XX | XX | ±.03 | TITLE OUTLINE - 180TC FRAME | | | |
| 03 | UPDATED PER ISAAC 10-0580 | LST 5/12/2010 | XX | XXX | ±.005 | TEFC - RIGID "C" | | | |
| - | UPDATED & REDRAWN IN SOLIDWORKS | LST 11/17/2008 | XX | XXXX | ±.0005 | MATL WASHGUARD | | | |
| TOLERANCES UNLESS SPECIFIED: DEC INCHES X ±.1 XX ±.03 XXX ±.005 XXXX ±.0005 ANG ±1/2° | | | | | | REGAL BELOIT CORPORATION DRAWN RDW 2/19/03 APPR SW 2/19/03 SCALE 1:2 REF FMF PAGE OF | | | |
| THIRD ANGLE PROJECTION | | | | | | NETWORK FILE NAME 035462 | | DRAWING NO 035462 REV 04 | |

005010-01

VIEW FROM OUTSIDE OF MOTOR AT SWITCH END.



| VOLTAGE | L1 | L2 | L3 | JOIN & INSULATE |
|---------|-------|-------|-------|-------------------------------|
| HIGH | T1 | T2 | T3 | (T4,T7) (T5,T8) (T6,T9) |
| LOW | T1,T7 | T2,T8 | T3,T9 | T4,T5,T6 |

| | | | | | | | | | | | | |
|--|-----------------------|--|--|--------------------------------|----------|-----------------------------------|----------|--------------------|-----------------------|------|-------------|------|
| | | | | TOLERANCES UNLESS SPECIFIED | | Regal Beloit America, Inc. | | DRAWN RDW 04/12/02 | | | | |
| | | | | DEC. | INCHES | | | CHK | | | | |
| | | | | .X | ±.1 | | | APPD | | | | |
| | | | | .XX | ±.01 | | | SCALE 1=1 | | | | |
| | | | | .XXX | ±.005 | TITLE | | REF FIG.2-51 | | | | |
| A | UPDATED TO REGAL LOGO | | | SAJ | 06/26/15 | AJY | .XXXX | ±.0005 | MAT'L. DECAL - 004014 | FMF | | |
| NO. | REVISION | | | BY & DATE | CHK | ANG | ±1/2" | FINISH | PREV | | | |
| THIS DRAWING IN DESIGN AND DETAIL IS OUR PROPERTY AND MUST NOT BE USED EXCEPT IN CONNECTION WITH OUR WORK ALL RIGHTS OF DESIGN AND INVENTION ARE RESERVED THIS IS AN ELECTRONICALLY GENERATED DOCUMENT - DO NOT SCALE THIS PRINT | | | | RFP | 04/12/02 | | CAD FILE | 00501001 | | SIZE | DRAWING NO. | REV. |
| | | | | DIST | BRF-NLV | | | A | 005010-01 | | A | |



P.O. BOX 8003
WAUSAU, WI 54401-8003
PH. 715-675-3311

DATA VOLTS: 460

CERTIFICATION DATA SHEET

CONN. DIAGRAM: 005010.01
OUTLINE: 035462-1050
WINDING: T82153

CAT #: 132205.00

FR 3

TYPICAL MOTOR PERFORMANCE DATA

| | | | | | | | | | |
|-----|-------------|-----------------|-----------------|-----------------|-----------------|-------------|----------------|--------|-----------------|
| HP | KW | SYNC RPM | FL RPM | FRAME | ENCLOSURE | TYPE | KVA CODE | DESIGN | |
| 7.5 | 5.6 | 3600 | 3510 | 184TC | TEFC | TFW | L | A | |
| PH | HZ | VOLTS | AMPS | START TYPE | DUTY | INSL | S.F. | AMB | ELEV. |
| 3 | 60/50 | 230/460#190/380 | 17.6/8.8#15/7.5 | ACROSS THE LINE | CONT | F | 1.15 | 40 | 3300 |
| | F.L. EFF | 90.1 | 3/4 LD EFF | 91.2 | 1/2 LD EFF | 90.8 | GTD EFF | | ELECT. TYPE |
| | F.L. PF | 88.4 | 3/4 LD PF | 84.2 | 1/2 LD PF | 75.2 | 87.5 | | SO CAGE IND RUN |
| | F.L. TORQUE | LR AMPS @ 460 V | L.R. TORQUE | | B.D. TORQUE | | F.L. RISE (°C) | | |
| | 11.2 LB-FT | 87.5 | 34.6 LB-FT | 309% | 46.0 LB-FT | 411% | 70 | | |
| | PRESSURE @3 | POWER | ROTOR WK² | MAX. LOAD WK² | SAFE STALL TIME | STARTS/HOUR | MOTOR WGT | | |
| | 0 DBA | 9 DBA | 0.22 LB-FT² | 0 LB-FT² | 15 SEC. | 2 | 0 LB. | | |

*** SUPPLEMENTAL INFORMATION ***

| | | | | | | | | |
|-----------------|------------------|------------|-------------------|-------------|-----------------------|----------------|---------|-------------------|
| DE BRACKET TYPE | ODE BRACKET TYPE | MOUNT TYPE | MOTOR ORIENTATION | SEVERE DUTY | HAZARDOUS LOCATION | DRIIP COVER | SCREENS | PAINT |
| C-FACE | STANDARD | RIGID | HORIZONTAL | NO | NONE | NO | NONE | ITE - LEESON (EPO |
| BEARINGS | GREASE | SHAFT TYPE | SPECIAL DE | SPECIAL ODE | SHAFT MATERIAL | FRAME MATERIAL | | |
| DE ODE | POLYREX EM | T | NONE | NONE | 303 STAINLESS (C-501) | ROLLED STEEL | | |
| BALL BALL | | | | | | | | |
| 6207 | 6205 | | | | | | | |

| | | | | | | |
|--------------|--------------|--------------|--------------|--------------|--------------------|---------------|
| THERMOSTATS | PROTECTORS | WDG RTD's | BRG RTD's | THERMISTORS | CONTROL | SPACE HEATERS |
| NONE | NOT | NONE | NONE | NONE | FALSE | NA |
| R1 (ohms/ph) | R2 (ohms/ph) | X1 (ohms/ph) | X2 (ohms/ph) | Xm (ohms/ph) | VIBRATION (in/sec) | FLOAT ODE |
| 0 | 0 | 0 | 0 | 0 | 0.150 | |

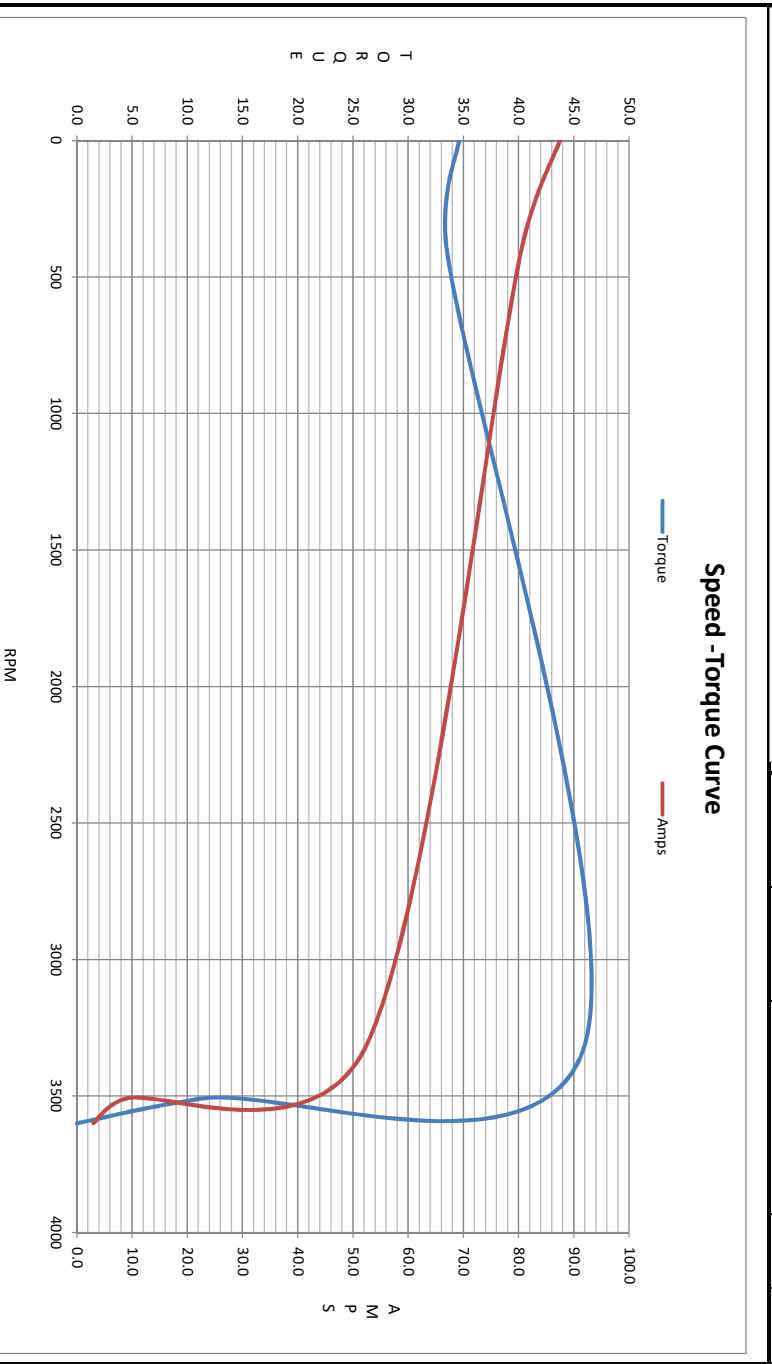
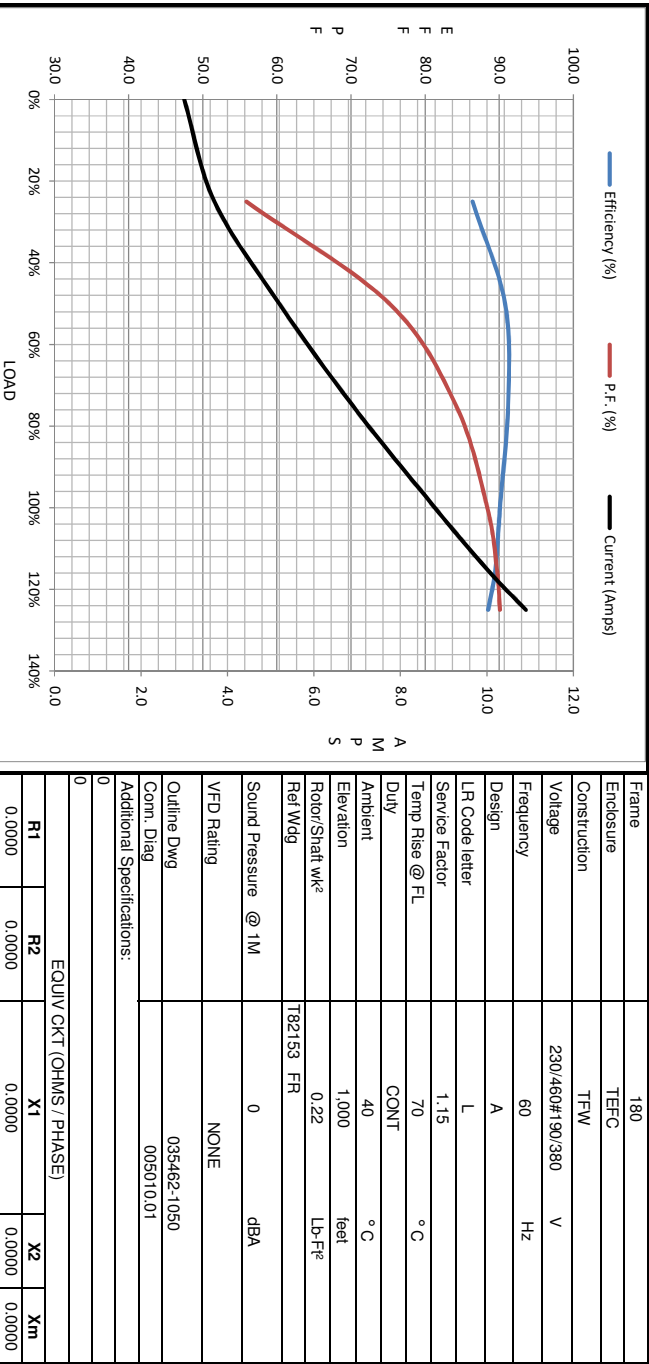
| | | | | |
|---------------------------------|--|-------------------------------|-----------------------------|----------|
| * N O T E S * | INVERTER TORQUE: NONE INV. HP SPEED RANGE: NONE | ENCODER: NONE NONE NONE | BRAKE: NONE NONE NONE | NONE PPR |
|---------------------------------|--|-------------------------------|-----------------------------|----------|

| | | | | | |
|-------|-------------------|----------|------|------|-----|
| DATE: | 2/19/2018 | FT-LB: | NA | NONE | HZ: |
| UL: | Y-(LEESON UL REC) | VOLTAGE: | NONE | NONE | |



| Motor Load Data | | | | | | | | | |
|-----------------|------|------|------|------|------|------|------|------|--|
| Load | 0% | 25% | 50% | 75% | 100% | 115% | 125% | LR | |
| Current (Amps) | 3.0 | 3.7 | 5.2 | 6.9 | 8.8 | 10.0 | 10.9 | 87.5 | |
| Torque (ft-lb) | 0.00 | 2.80 | 5.6 | 8.4 | 11.2 | 12.9 | 14.0 | 34.6 | |
| RPM | 3600 | 3579 | 3556 | 3535 | 3510 | 3494 | 3482 | 0 | |
| Efficiency (%) | | 86.4 | 90.8 | 91.2 | 90.1 | 89.5 | 88.5 | | |
| P.F. (%) | 9.4 | 55.9 | 75.2 | 84.2 | 88.4 | 89.7 | 90.1 | 0.0 | |

| Motor Speed Data | | | | | Information Block | | | | | | | | | | | | | | | | | | | | | | | |
|------------------|------|---------|------|-------|-------------------|-----|-----------|-------|-----------|--------------|-----------------|-----------|--------|----------------|----------------|----------------|------|---------|-----------|-----------------------------|-----------|---------------------|------------|-------------|------------|----------------------------|--|--|
| | LR | Pull-Up | BD | Rated | Idle | HP | Sync. RPM | Frame | Enclosure | Construction | Voltage | Frequency | Design | LR Code letter | Service Factor | Temp Rise @ FL | Duty | Ambient | Elevation | Rotor/Shaft wk ² | Ref Wdg | Sound Pressure @ 1M | VFD Rating | Outline Dwg | Conn. Diag | Additional Specifications: | | |
| Speed (RPM) | 0 | 400 | 3312 | 3510 | 3600 | 7.5 | 3600 | 180 | TEFC | TFW | 230/460#190/380 | 60 | A | L | 1.15 | 70 | CONT | 40 | 1,000 | 0.22 | T82153 FR | 0 | NONE | 035462-1050 | 005010.01 | | | |
| Current (Amps) | 87.5 | 80.5 | 52.5 | 8.8 | 3.0 | | | | | | | | | | | | | | | | | | | | | | | |
| Torque (ft-lb) | 34.6 | 33.5 | 46.0 | 11.2 | 0.00 | | | | | | | | | | | | | | | | | | | | | | | |



| EQUIV CKT (OHMS / PHASE) | | | | |
|--------------------------|--------|--------|--------|--------|
| R1 | R2 | X1 | X2 | Xm |
| 0.0000 | 0.0000 | 0.0000 | 0.0000 | 0.0000 |