

BALDOR® • RELIANCE

Product Information Packet

ELECTRIC MOTOR WHOLESAL.COM

CBM3714T

10HP,1770RPM,3PH,60HZ,215TC,3740M,TEFC,F

Part Detail							
Revision:	C	Status:	PRD/A	Change #:		Proprietary:	No
Type:	AC	Prod. Type:	3740M	Elec. Spec:	37WGS275	CD Diagram:	
Enclosure:	TEFC	Mfg Plant:		Mech. Spec:	37L933	Layout:	
Frame:	215TC	Mounting:	F1	Poles:	04	Created Date:	08-07-2007
Base:	RG	Rotation:	R	Insulation:	F	Eff. Date:	01-15-2010
Leads:	9#14	Literature:		Elec. Diagram:		Replaced By:	

Nameplate NP1256L

CAT.NO.	CBM3714T						
SPEC.	37L933S275H1						
HP	10						
VOLTS	208-230/460						
AMP	28-27/13.5						
RPM	1770						
FRAME	215TC	HZ	60	PH	3		
SER.F.	1.15	CODE	K	DES	A	CLASS	F
NEMA-NOM-EFF	89.5	PF	77				
RATING	40C AMB-CONT						
CC			USABLE AT 208V				
DE	6307	ODE	6306				
ENCL	TEFC	SN					

Parts List		
Part Number	Description	Quantity
SA161659	SA 37L933S275H1	1.000 EA
RA150203	RA 37L933S275H1	1.000 EA
S/P101-000-000	EPACT PROCEDURES-FS PLANT-POLYREX EM, NO	1.000 EA
HW3200A01	3/8-16X3/4 I-BLT WELDED F/S	1.000 EA
37CB3006	37 CB CASTING W/1.38 LEAD HOLE @ 6:00	1.000 EA
37GS1000SP	GASKET, CONDUIT BOX STD., .06 THICK LEXI	1.000 EA
51XW2520A12	.25-20 X .75, TAPTITE II, HEX WSHR SLTD	2.000 EA
11XW1032G06	10-32 X .38, TAPTITE II, HEX WSHR SLTD U	1.000 EA
37EP1301A01	STD FACE MTD ENDPLATE, BRAKE MTG	1.000 EA
HW4500A01	1641B(ALEMITE)400 UNIV, GREASE FITT	1.000 EA
HW5100A07	W2816-030 WVY WASHER (WB)	1.000 EA
37EP3300A01	FACE MT ENDPLATE-ENCL-307 BRG-213TC-215T	1.000 EA
HW4500A01	1641B(ALEMITE)400 UNIV, GREASE FITT	1.000 EA
10XN2520A30	HEX HD CAP SCREW-STD THD-.25 X 20 THD PE	4.000 EA
HW1001A25	LOCKWASHER 1/4, ZINC PLT .493 OD, .255 I	4.000 EA
XY3118A12	5/16-18 HEX NUT DIRECTIONAL SERRATION	4.000 EA
84XN5013L12	.50-13 X .75 NYLOK TYPE HEX.SOC.HD.CAP S	4.000 EA
HW2501E10	KEY, 1/4 SQ X 1.000	1.000 EA
36FN3000B01	EXFN, PLASTIC, 6.00 OD, .912 ID	1.000 EA
51XB1214A16	12-14X1.00 HXWSSLD SERTYB	1.000 EA
37FH5007	STAMPED FAN COVER W/ AUTOPHERETIC PRIMER	1.000 EA
51XW1032A06	10-32 X .38, TAPTITE II, HEX WSHR SLTD S	3.000 EA
37CB4516	LIPPED LID FOR 37 FRAME NEC KOBX	1.000 EA
37GS1008SP	37 GS FOR CB LID - LEXIDE	1.000 EA

Parts List (continued)		
Part Number	Description	Quantity
51XW0832A07	8-32 X .44, TAPTITE II, HEX WSHR SLTD SE	4.000 EA
HW2501F21	KEY, 5/16 SQ X 2.375	1.000 EA
HA7000A02	KEY RETAINER RING, 1 1/8 DIA, 1 3/8 DIA	1.000 EA
85XU0407S04	4X1/4 U DRIVE PIN STAINLESS	2.000 EA
LB1115	LABEL,LIFTING DEVICE	1.000 EA
MJ1000A75	GREASE, POLYREX EM EXXON	0.050 LB
MG1000G27	PAINT- S9282E CHARCOAL GREY	0.028 GA
HA3104A17	5/16-18X13.250 T-BLT/OHIO	4.000 EA
87BK5120EPF	50LB-FT 110/220V STD BK W/SIDE RELEASE L	1.000 EA
LB1125C04	STD-E (STOCK CTN LABEL STD-E WITH FLAG)	1.000 EA
LB1185	LABEL,BRAKE CONNECTION (ON ROLLS)	1.000 EA
LC0005E01	CONN.DIA./WARNING LABEL (LC0005/LB1119)	1.000 EA
NP1256L	ALUM, UL CSA CC, W/O THERMAL, LASER	1.000 EA
37PA1039	PACKAGING GROUP	1.000 EA

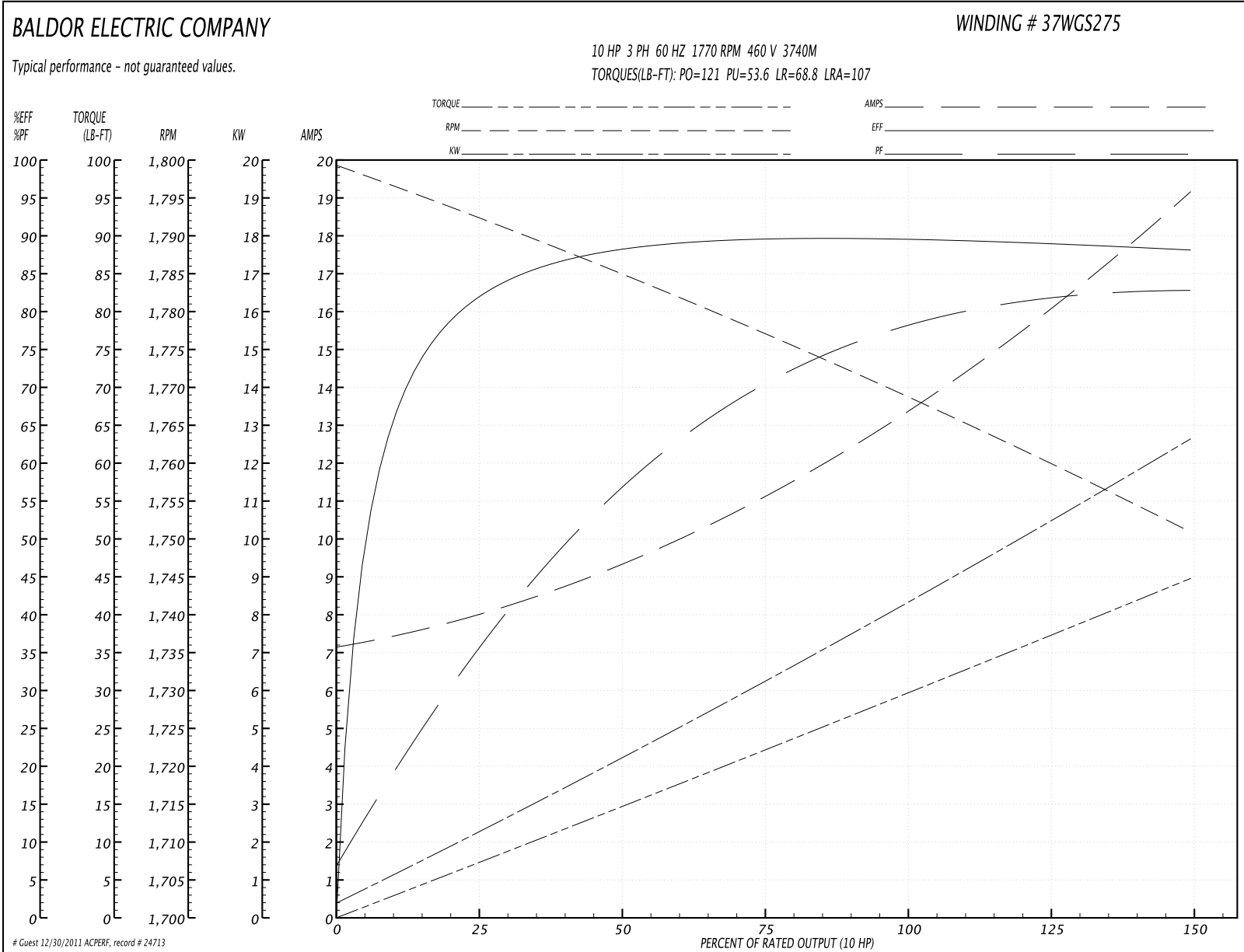
Performance Data at 460V, 60Hz, 10.0HP (Typical performance - Not guaranteed values)
General Characteristics

Full Load Torque:	29.5 LB-FT	Start Configuration:	DOL
No-Load Current:	7.31 Amps	Break-Down Torque:	121.0 LB-FT
Line-line Res. @ 25°C.:	1.16 Ohms A Ph / 0.0 Ohms B Ph	Pull-Up Torque:	53.6 LB-FT
Temp. Rise @ Rated Load:	78 C	Locked-Rotor Torque:	68.8 LB-FT
Temp. Rise @ S.F. Load:	94 C	Starting Current:	107.0 Amps

Load Characteristics

% of Rated Load	25	50	75	100	125	150	S.F.
Power Factor:	36.0	58.0	70.0	77.0	81.0	83.0	79.0
Efficiency:	81.4	88.2	89.6	89.7	89.0	88.0	89.3
Speed:	1793.0	1785.0	1777.0	1769.0	1760.0	1751.0	1764.0
Line Amperes:	7.82	9.21	11.0	13.5	16.2	19.0	15.1

Performance Graph at 460V, 60Hz, 10.0HP Typical performance - Not guaranteed values



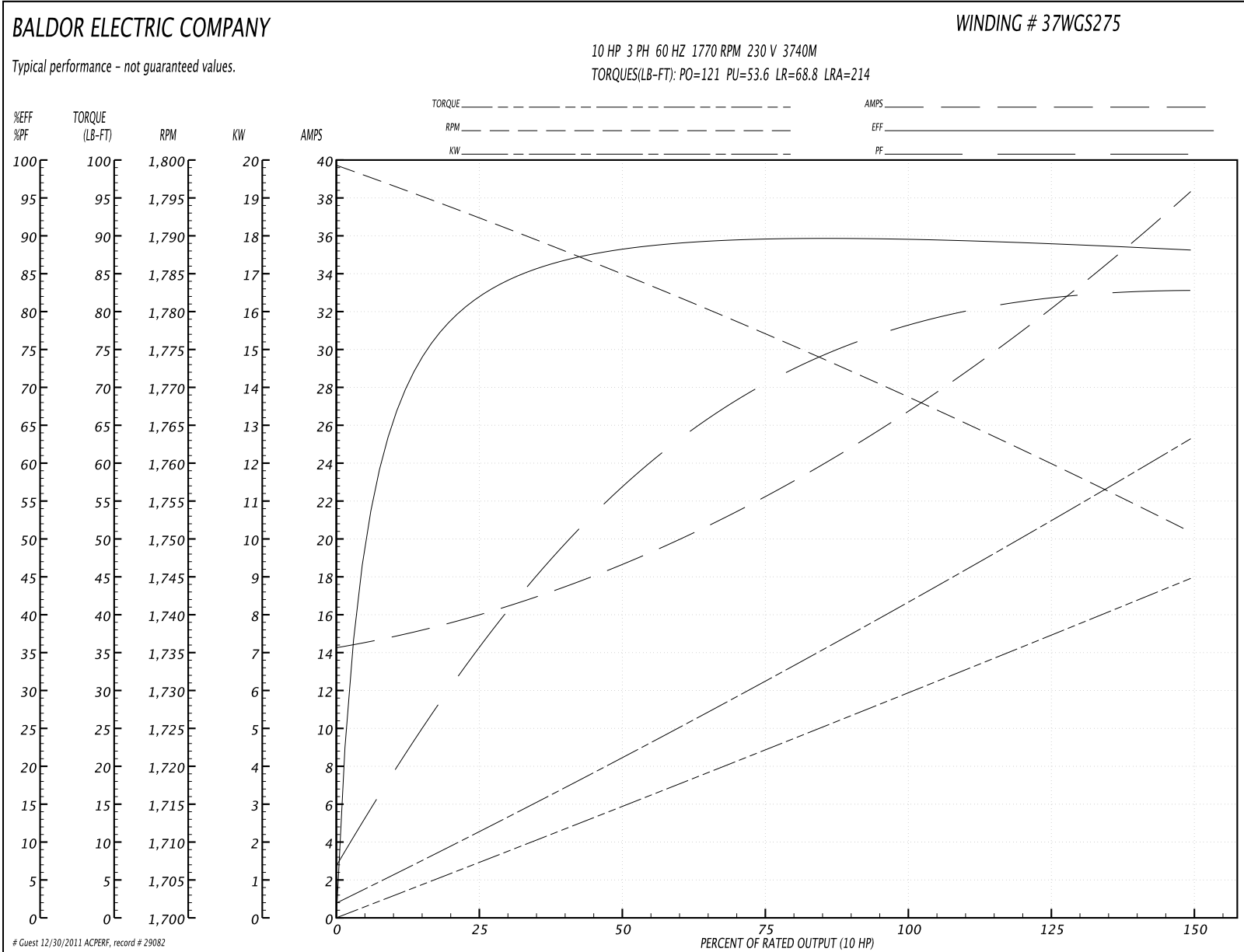
Performance Data at 230V, 60Hz, 10.0HP (Typical performance - Not guaranteed values)
General Characteristics

Full Load Torque:	29.5 LB-FT	Start Configuration:	DOL
No-Load Current:	14.6 Amps	Break-Down Torque:	121.0 LB-FT
Line-line Res. @ 25°C.:	0.288 Ohms A Ph / 0.0 Ohms B Ph	Pull-Up Torque:	53.6 LB-FT
Temp. Rise @ Rated Load:	78 C	Locked-Rotor Torque:	68.8 LB-FT
Temp. Rise @ S.F. Load:	92 C	Starting Current:	214.0 Amps

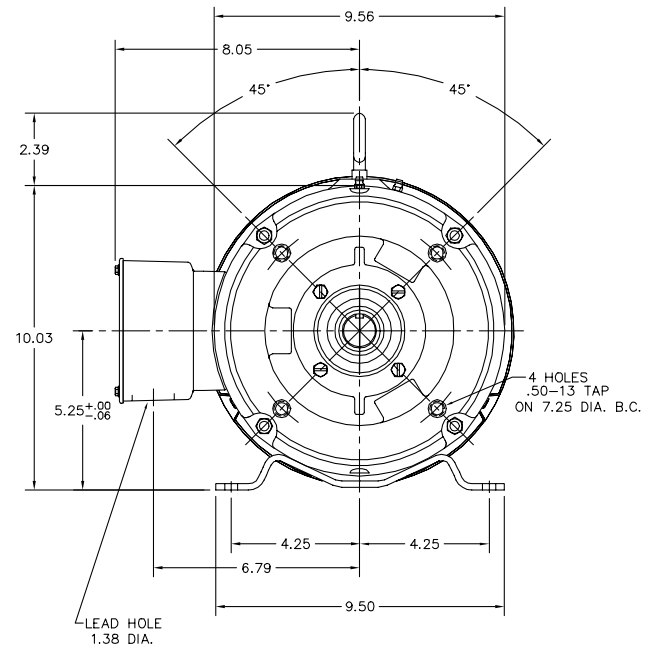
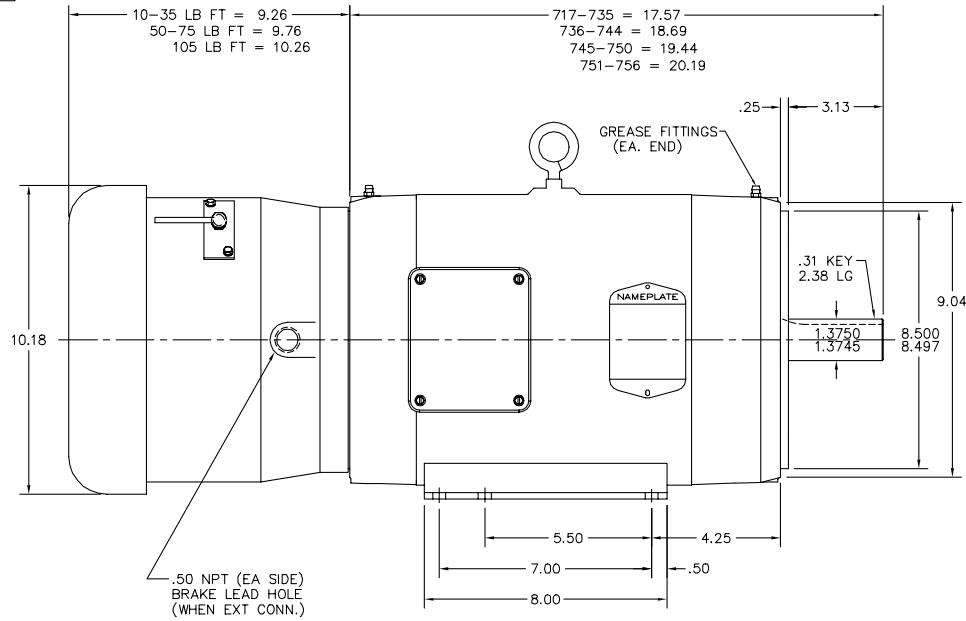
Load Characteristics

% of Rated Load	25	50	75	100	125	150	S.F.
Power Factor:	36.0	58.0	70.0	77.0	81.0	84.0	79.0
Efficiency:	81.4	88.5	89.4	89.6	89.0	88.1	89.2
Speed:	1793.0	1785.0	1777.0	1769.0	1760.0	1751.0	1764.0
Line Amperes:	15.6	18.4	22.0	27.0	32.4	38.0	30.2

Performance Graph at 230V, 60Hz, 10.0HP Typical performance - Not guaranteed values



37LY1933



CUSTOMER IS RESPONSIBLE FOR DETERMINING THAT MOTOR PERFORMANCE IS SUITABLE IN THE APPLICATION.

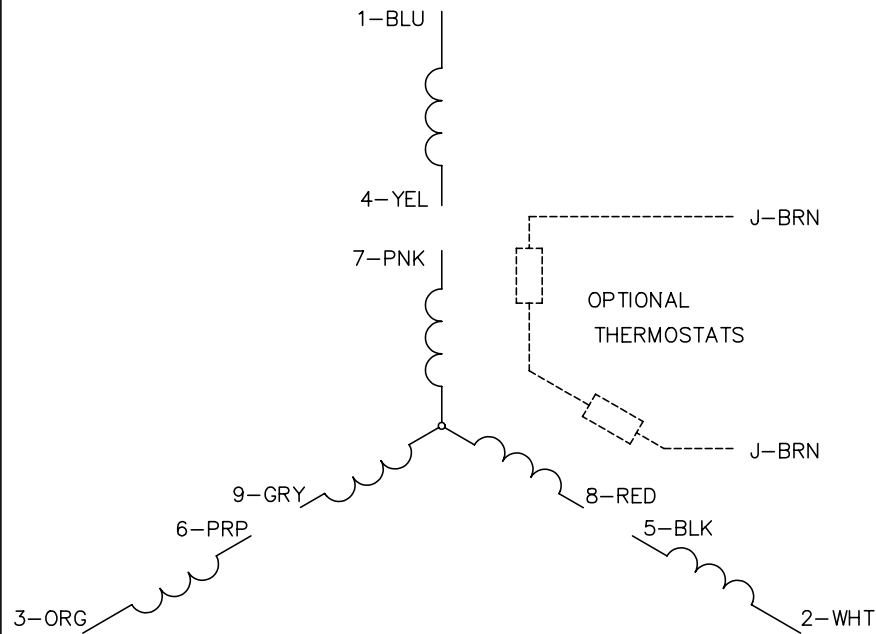
REV. DESC: NEW	VERSION: 00	TDR: 000000440054
REV. LTR: -	REVISED: 17:01:06 08/07/2007	BY: ENALEM0
FILE: \AAA\00149\807		
MTL: -		

Baldor • Dodge • Reliance

STD HORZ 213-5TC TEFC M W/BRAKE

37LY1933

CD0005



LOW VOLTAGE
(2Y)



LINE

HIGH VOLTAGE
(1Y)



LINE

NOTES:

1. INTERCHANGE ANY TWO LINE LEADS TO REVERSE ROTATION.
2. OPTIONAL THERMOSTATS ARE PROVIDED WHEN SPECIFIED.
3. ACTUAL NUMBER OF INTERNAL PARALLEL CIRCUITS MAY BE A MULTIPLE OF THOSE SHOWN ABOVE.
4. LEAD COLORS ARE OPTIONAL. LEADS MUST ALWAYS BE NUMBERED AS SHOWN.

REV. DESC: REVISE TO SHOW OPTIONAL COLORS			
REV. LTR: E	BY: JLP	REVISED: 01/19/99 10:15	TDR: 0171435
900000		FILE: AAA00005140	MDL: -
		MTL: -	

BALDOR ELECTRIC Co.

3PH, DV, 9 LEADS

CD0005