

BALDOR® • *RELIANCE*

Product Information Packet

ELECTRIC MOTOR WHOLESAL.COM

CEUHM3558T-G

2HP,1755RPM,3PH,60HZ,145TYC,3530M,TEFC,F

Part Detail									
Revision:	D	Status:	INA/A	Change #:		Proprietary:	No		
Type:	AC	Prod. Type:	3530M	Elec. Spec:	35WGM494	CD Diagram:			
Enclosure:	TEFC	Mfg Plant:		Mech. Spec:	35Z024	Layout:			
Frame:	145TCY	Mounting:	F3	Poles:	04	Created Date:	08-13-2010		
Base:	RG	Rotation:	R	Insulation:	H	Eff. Date:	02-10-2012		
Leads:	9#18	Literature:		Elec. Diagram:		Replaced By:			
Nameplate NP2105L									
CAT.NO.									
SPEC.	35Z024M494G1								
HP	2								
VOLTS	208-230/460								
AMP	6-5.8/2.9								
RPM	1755								
FRAME	145TCY	HZ			60	PH	3		
SER.F.	1.15	CODE			L	DES	B	CL	H
NEMA-NOM-EFF	86.5	PF			73				
RATING	40C AMB-CONT								
CC	010A	USABLE AT 208V							
DE	6205	ODE			6203				
ENCL	TEFC	SN							
	IP44								

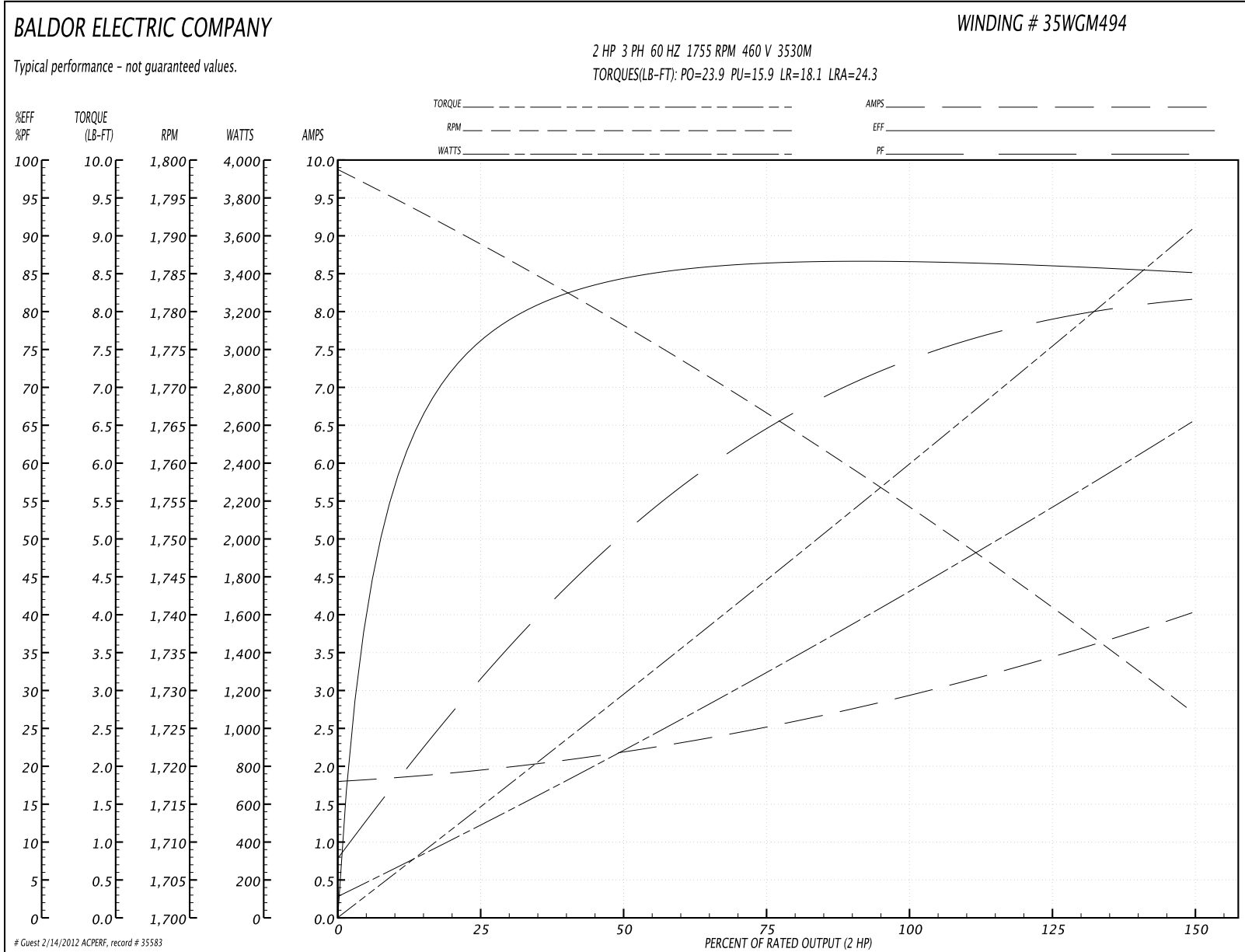
Parts List		
Part Number	Description	Quantity
SA201414	SA 35Z024M494G1	1.000 EA
RA188713	RA 35Z024M494G1	1.000 EA
34FN3002B01	EXTERNAL FAN, PLASTIC, .637/.639 HUB W/	1.000 EA
S/P107-000-001	SUPER E PROC'S-FS & WS PLTS-POLYREX EM G	1.000 EA
S/P111-000-002	CORONA TEST, SUPER E MOTORS - FT. SMITH	1.000 EA
NS2512A01	INSULATOR, CONDUIT BOX X	1.000 EA
35CB4007	KOBX, AUTOPHORETIC (REL# 79097-49-C)	1.000 EA
35GS3009	GASKET, KOBX 35CB4006 (411881-15A)	1.000 EA
WD4100A110	CAPLUG,BP-1 1/8, PLUG W/RECESSED HEAD	1.000 EA
51XB1016A05	10-16X5/16HX WA SL SR TYB (F/S)	2.000 EA
11XW1032G06	10-32 X .38, TAPTITE II, HEX WSHR SLTD U	1.000 EA
35EP3100M01	FREP TEFC 203 BRG W/GRSR (RAISED FH PADS	1.000 EA
HW4500A01	1641B(ALEMITE)400 UNIV, GREASE FITT	1.000 EA
HW5100A03SP	WAVY WASHER (W1543-017)	1.000 EA
BP5308A01	AEGIS SH GRD ASSY W/RETAINER RING	1.000 EA
35EP3300A46	SPL FACE MTD EP-ENCL-145TC-205 BRG	1.000 EA
HW4500A01	1641B(ALEMITE)400 UNIV, GREASE FITT	1.000 EA
51XN1032A18	10-32 X 1 1/8 HX WS SL SR (ESKAY)	2.000 EA
51XB1214A16	12-14X1.00 HXWSSLD SERTYB	1.000 EA
35FH4005A84SP	IEC FH W/GRSR, NO DIMPLES W/AUTOPHERETIC	1.000 EA
51XW1032A06	10-32 X .38, TAPTITE II, HEX WSHR SLTD S	3.000 EA
35CB4519	CB LID RAW & UNPRIMED, REL# 79097-50-B	1.000 EA
35GS3019	GASKET, FOR KOBX LID 35CB4519	1.000 EA
51XW0832A07	8-32 X .44, TAPTITE II, HEX WSHR SLTD SE	4.000 EA

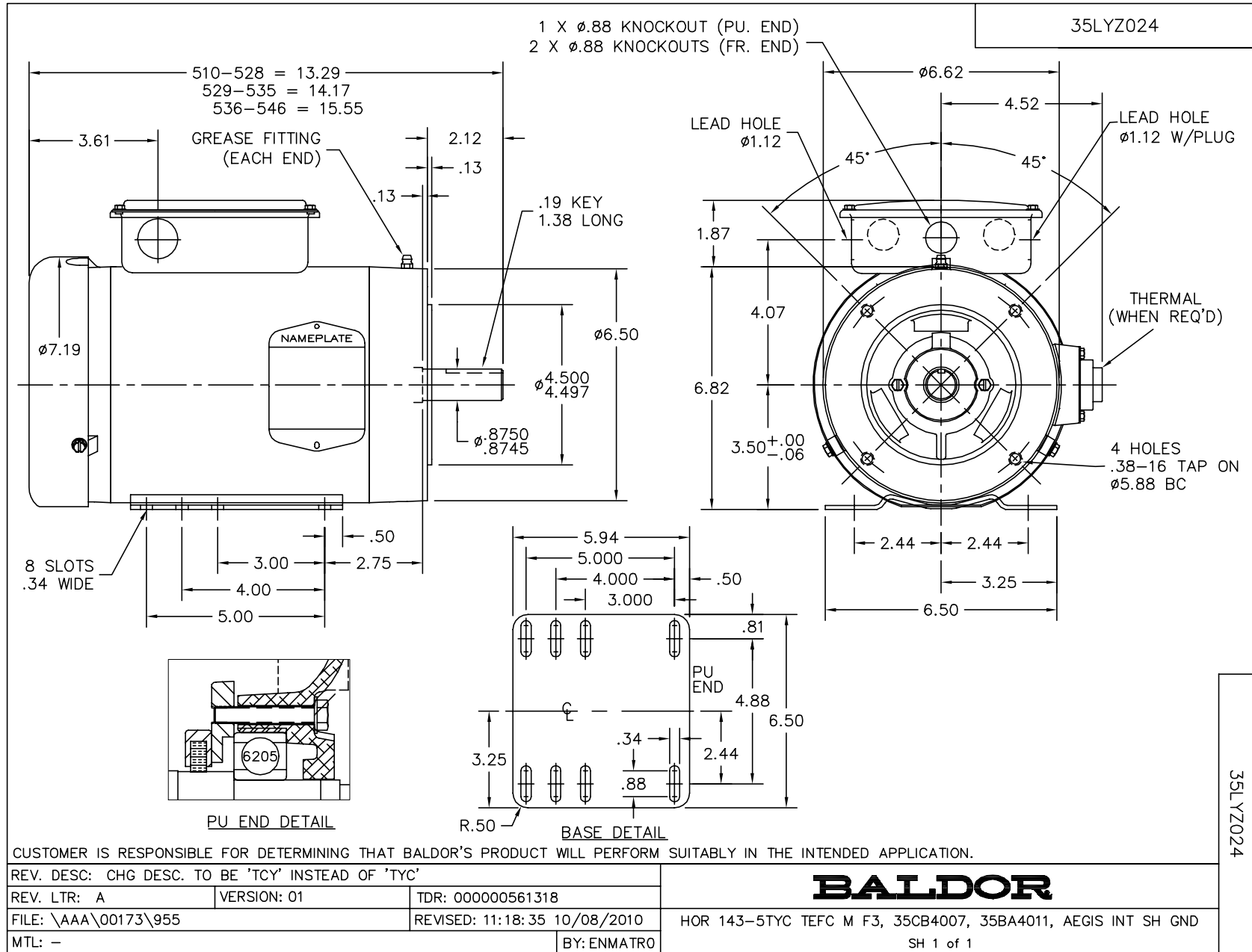
Parts List (continued)		
Part Number	Description	Quantity
HW2501D13SP	KEY, 3/16 SQ X 1.375	1.000 EA
HA7000A01	KEY RETAINER 7/8" DIA SHAFT	1.000 EA
10XF0440S02	04-40 X 1/8 TYPE F HEX HD STAINLESS STIC	2.000 EA
LB1459	AEGIS SGR LABEL "AEGISLBL-100"	1.000 EA
MJ1000A75	GREASE, POLYREX EM EXXON	0.050 LB
MG1000N49	PAINT, 678.50 WILKO, REL GRN (55 GA)	0.017 GA
HA3100A18	THRUBOLT 10-32 X 9.250	4.000 EA
LB1125C02	SUPER-E (STOCK CTN LABEL SUPER-E WITH FL	1.000 EA
LB1119	WARNING LABEL	1.000 EA
LC0005	CONN.DIA.,TY M,9-LD,DUAL VOLT,REVERSING	1.000 EA
LB1357	ENERGY GUIDE LABEL (BOX LABEL)	1.000 SH
NP2105L	ALUM SUPER-E UL CSA-EEV CE CC	1.000 EA
36PA1000	PACK GROUP W/LB5001	1.000 EA
PK3082	STYROFOAM CRADLE	1.000 EA

Performance Data at 460V, 60Hz, 2.0HP (Typical performance - Not guaranteed values)

General Characteristics							
Full Load Torque:	5.95 LB-FT			Start Configuration:	DOL		
No-Load Current:	1.82 Amps			Break-Down Torque:	23.9 LB-FT		
Line-line Res. @ 25°C.:	7.42 Ohms A Ph / 0.0 Ohms B Ph			Pull-Up Torque:	15.9 LB-FT		
Temp. Rise @ Rated Load:	61 C			Locked-Rotor Torque:	18.1 LB-FT		
Temp. Rise @ S.F. Load:	72 C			Starting Current:	24.3 Amps		
Load Characteristics							
% of Rated Load	25	50	75	100	125	150	S.F.
Power Factor:	32.0	51.0	64.0	73.0	79.0	82.0	77.0
Efficiency:	75.4	84.0	86.5	86.7	86.2	85.1	86.4
Speed:	1789.0	1778.0	1767.0	1755.0	1741.0	1727.0	1747.0
Line Amperes:	1.92	2.17	2.51	2.94	3.46	4.01	3.25

Performance Graph at 460V, 60Hz, 2.0HP Typical performance - Not guaranteed values

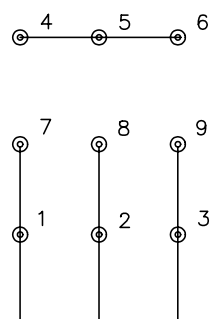




CD0005

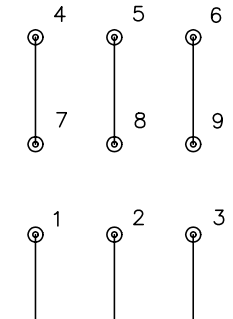


LOW VOLTAGE (2Y)



LINE

HIGH VOLTAGE (1Y)



LINE

NOTES:

1. INTERCHANGE ANY TWO LINE LEADS TO REVERSE ROTATION.
2. OPTIONAL THERMOSTATS ARE PROVIDED WHEN SPECIFIED.
3. ACTUAL NUMBER OF INTERNAL PARALLEL CIRCUITS MAY BE A MULTIPLE OF THOSE SHOWN ABOVE.
4. LEAD COLORS ARE OPTIONAL. LEADS MUST ALWAYS BE NUMBERED AS SHOWN.

REV. DESC: REVISE TO SHOW OPTIONAL COLORS			
REV. LTR: E	BY: JLP	REVISED: 01/19/99 10:15	TDR: 0171435
9000D		FILE: AAA00005140	MDL: -
		MTL: -	

BALDOR ELECTRIC Co.

3PH, DV, 9 LEADS

CD0005