

# **BALDOR® • RELIANCE**

**Product Information Packet**

**ELECTRIC MOTOR WHOLESAL.COM**

**CJM225**

**.33HP,3450RPM,3PH,60HZ,56J,1708M,OPEN,F1**

Part Detail							
Revision:	F	Status:	PRD/A	Change #:		Proprietary:	No
Type:	AC	Prod. Type:	1708M	Elec. Spec:	17WGX227	CD Diagram:	
Enclosure:	OPEN	Mfg Plant:		Mech. Spec:	17E136	Layout:	
Frame:	56J	Mounting:	F1	Poles:	02	Created Date:	09-14-2007
Base:	RG	Rotation:	R	Insulation:	B	Eff. Date:	04-13-2011
Leads:	3#18	Literature:		Elec. Diagram:		Replaced By:	

**Nameplate NP1203**

CAT.NO.		ENCL	OPEN
SPEC.	17E136X227	FRAME	56J
HP	.33		
VOLTS	230		
AMPS	1.6		
RPM	3450		
HZ	60	PH	3 CL B
SER.F.	1.75	DES	B CODE N
FL EFF	64	PF	70
RATING	40C AMB-CONT		
SF AMP	1.9	USABLE AT 208V	1.9
S/N			
MANUAL	N	AUTO	N NONE Y

Parts List		
Part Number	Description	Quantity
SA162784	SA 17E136X227	1.000 EA
RA151305	RA 17E136X227	1.000 EA
WD4100A49	CAPLUG,BP-13/16,PLUG W/RECESSED HEAD	1.000 EA
11XT0832G06	8-32 X 3/8 TY 23 TAPPING	1.000 EA
51XW0832A07	8-32 X .44, TAPTITE II, HEX WSHR SLTD SE	4.000 EA
HW5100A03SP	WAVY WASHER (W1543-017)	1.000 EA
34EP3401A07	PU ENDPLATE, MACH	1.000 EA
17AD0001A01	BAFFLE PLATE, MACH. FOR SPL 5.25 DIA. O.	1.000 EA
51XT0632A06	6-32X3/8 TY23 HXWS SLDSR	4.000 EA
51XW0832A07	8-32 X .44, TAPTITE II, HEX WSHR SLTD SE	2.000 EA
11XT2520A08	1/4-20 X 1/2 HX WSHR HD SL	2.000 EA
34CB4501SP	TERMINAL BOX LID, STAMPED X (PLATED)	1.000 EA
51XW0832A07	8-32 X .44, TAPTITE II, HEX WSHR SLTD SE	2.000 EA
LB1009	LABEL,ROTATION DIRECTION (ON ROLLS)	1.000 EA
17EP3200BT07	FR ENDPLATE, MACH	1.000 EA
WD4100A04	62MP0687 HOLE PLUG OR DP-687 HEYCO	1.000 EA
NS2500A01	INSULATOR, AUTO THER PROT	1.000 EA
SP1042A01	TERM BOARD, MODEL 17 3 PHASE FOR .75" TH	1.000 EA
HA3100A13	THRUBOLT 10-32 X 7.750	4.000 EA
LB1125A01SP	STOCK MTR CARTON LABEL LASER PRINTER	1.000 EA
LC0006	CONNECTION LABEL	1.000 EA
LB5040	INSTRUCTION TAG, AC & DC	1.000 EA
NP1203	NP LABEL (FOR COMMERCIAL MOTOR)	1.000 EA
34PA1002	PACKING GROUP, BALDOR	1.000 EA

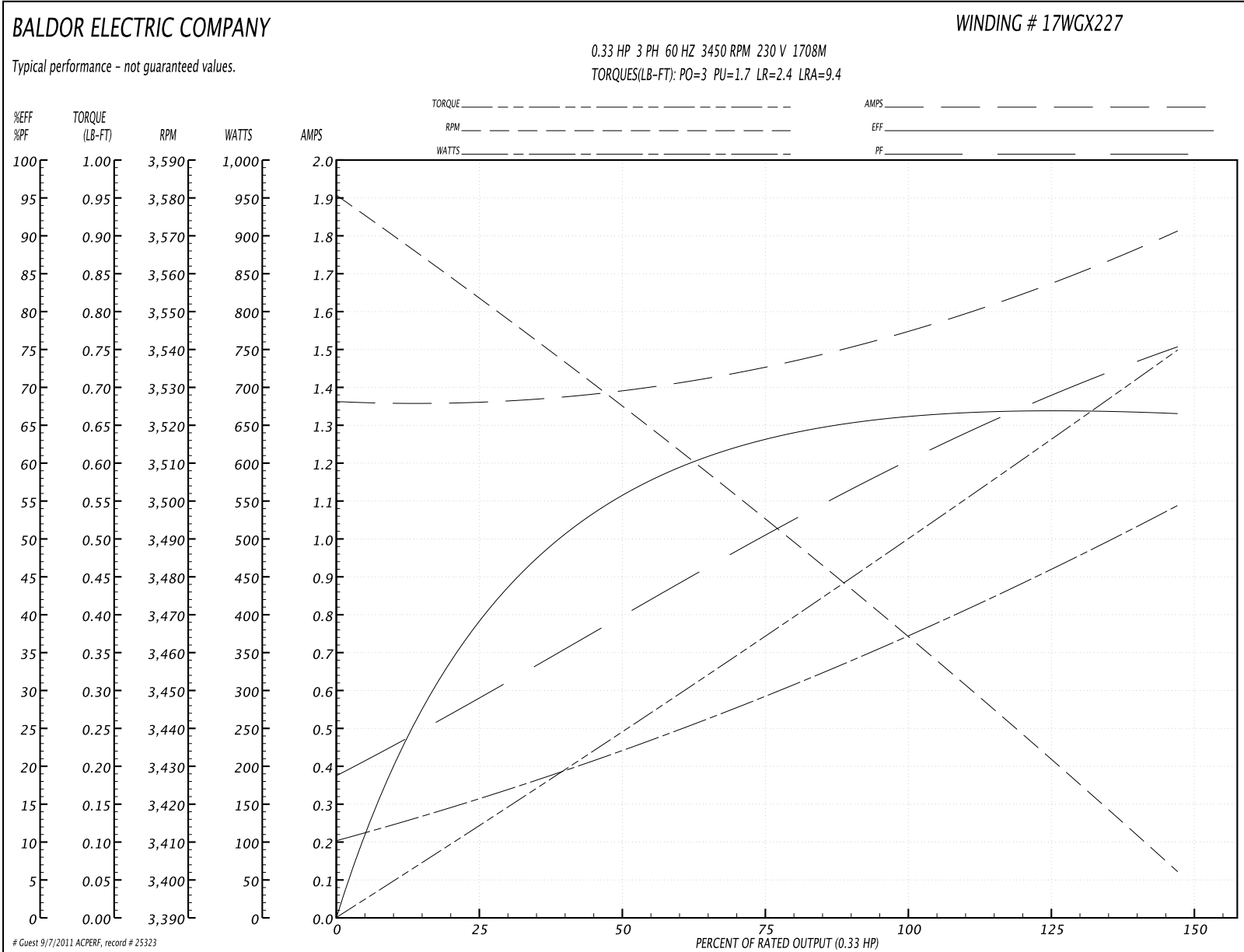
**Performance Data at 230V, 60Hz, 0.33HP (Typical performance - Not guaranteed values)**
**General Characteristics**

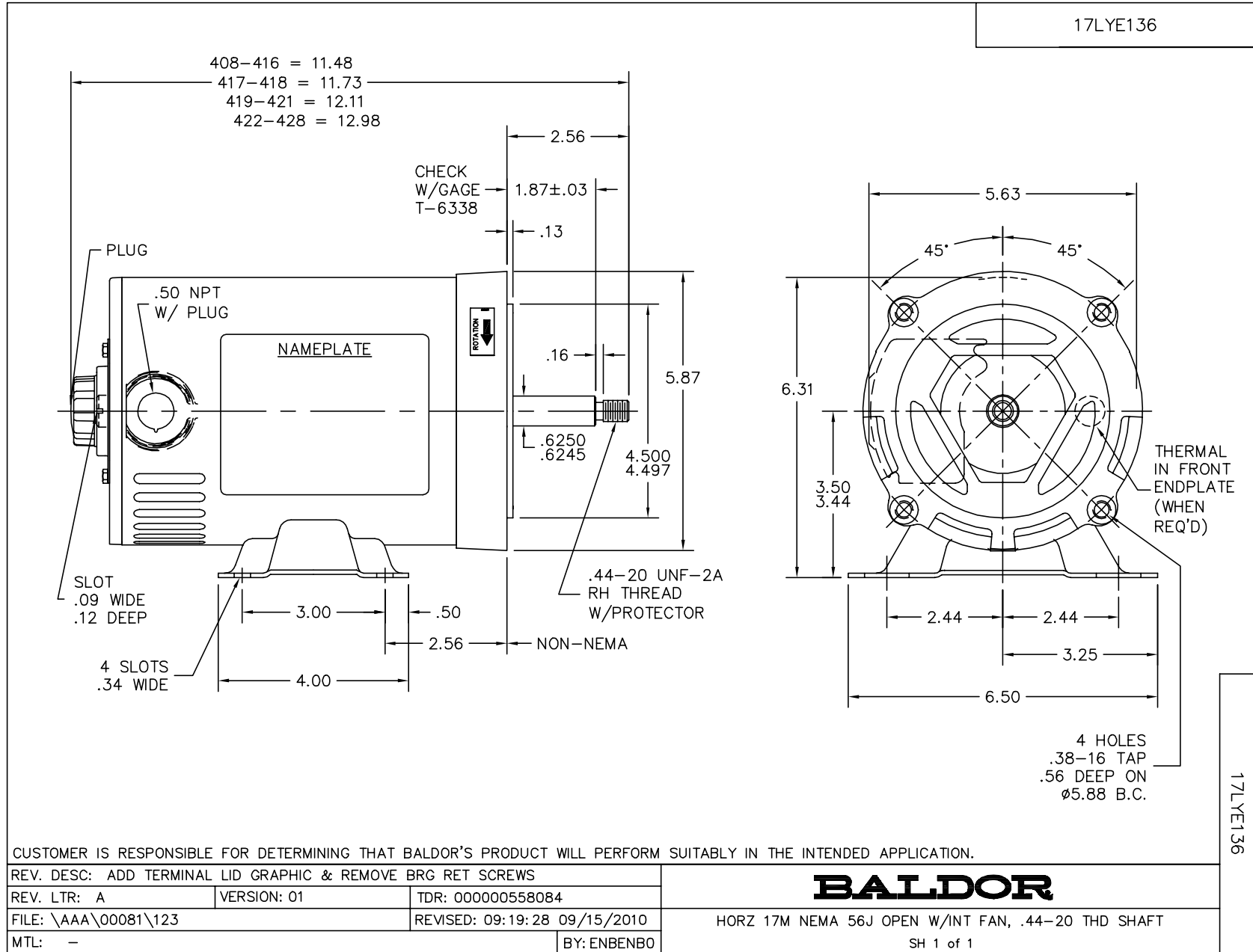
<b>Full Load Torque:</b>	0.5 LB-FT	<b>Start Configuration:</b>	DOL
<b>No-Load Current:</b>	1.36 Amps	<b>Break-Down Torque:</b>	3.0 LB-FT
<b>Line-line Res. @ 25°C.:</b>	11.0 Ohms A Ph / 0.0 Ohms B Ph	<b>Pull-Up Torque:</b>	1.7 LB-FT
<b>Temp. Rise @ Rated Load:</b>	25 C	<b>Locked-Rotor Torque:</b>	2.4 LB-FT
<b>Temp. Rise @ S.F. Load:</b>	35 C	<b>Starting Current:</b>	9.4 Amps

**Load Characteristics**

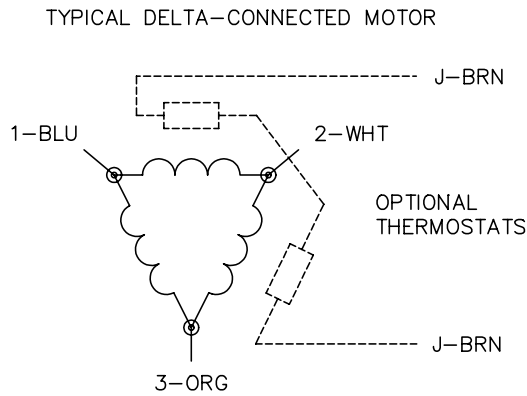
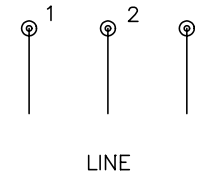
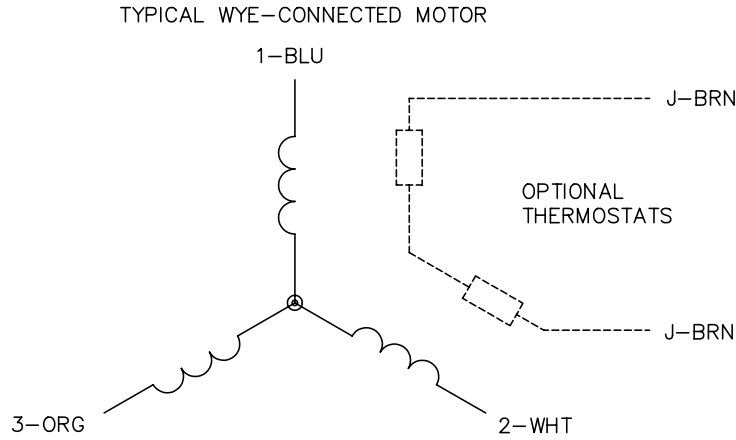
<b>% of Rated Load</b>	<b>25</b>	<b>50</b>	<b>75</b>	<b>100</b>	<b>125</b>	<b>150</b>	<b>S.F.</b>
<b>Power Factor:</b>	35.0	47.0	60.0	69.0	75.0	80.0	87.0
<b>Efficiency:</b>	42.7	55.7	62.8	65.8	66.8	66.8	68.8
<b>Speed:</b>	3547.0	3522.0	3496.0	3467.0	3436.0	3399.0	3374.0
<b>Line Amperes:</b>	1.36	1.4	1.46	1.54	1.66	1.82	1.9

Performance Graph at 230V, 60Hz, 0.33HP Typical performance - Not guaranteed values





CD0006



NOTES:

1. THREE LEAD MOTOR MAY BE EITHER WYE CONNECTED OR DELTA CONNECTED.
2. INTERCHANGE ANY TWO LINE LEADS TO REVERSE ROTATION.
3. OPTIONAL THERMOSTATS ARE PROVIDED WHEN SPECIFIED.
4. ACTUAL NUMBER OF INTERNAL PARALLEL CIRCUITS MAY VARY.
5. LEAD COLORS ARE OPTIONAL. LEADS MUST BE NUMBERED AS SHOWN.

REV. DESC: REVISE TO SHOW OPTIONAL COLORS			
REV. LTR: D	BY: JLP	REVISED: 01/21/99 4:02	TDR: 0171435
9000D		FILE: AAA00005141	MDL: -
		MTL: -	

**BALDOR ELECTRIC Co.**

3PH, SV, 3 LEADS, WYE OR DELTA CONNECTED

CD0006