

BALDOR® • RELIANCE

Product Information Packet

ELECTRIC MOTOR WHOLESAL.COM

CM2515T

20HP,1760RPM,3PH,60HZ,256TC,3766M,OPSB,F

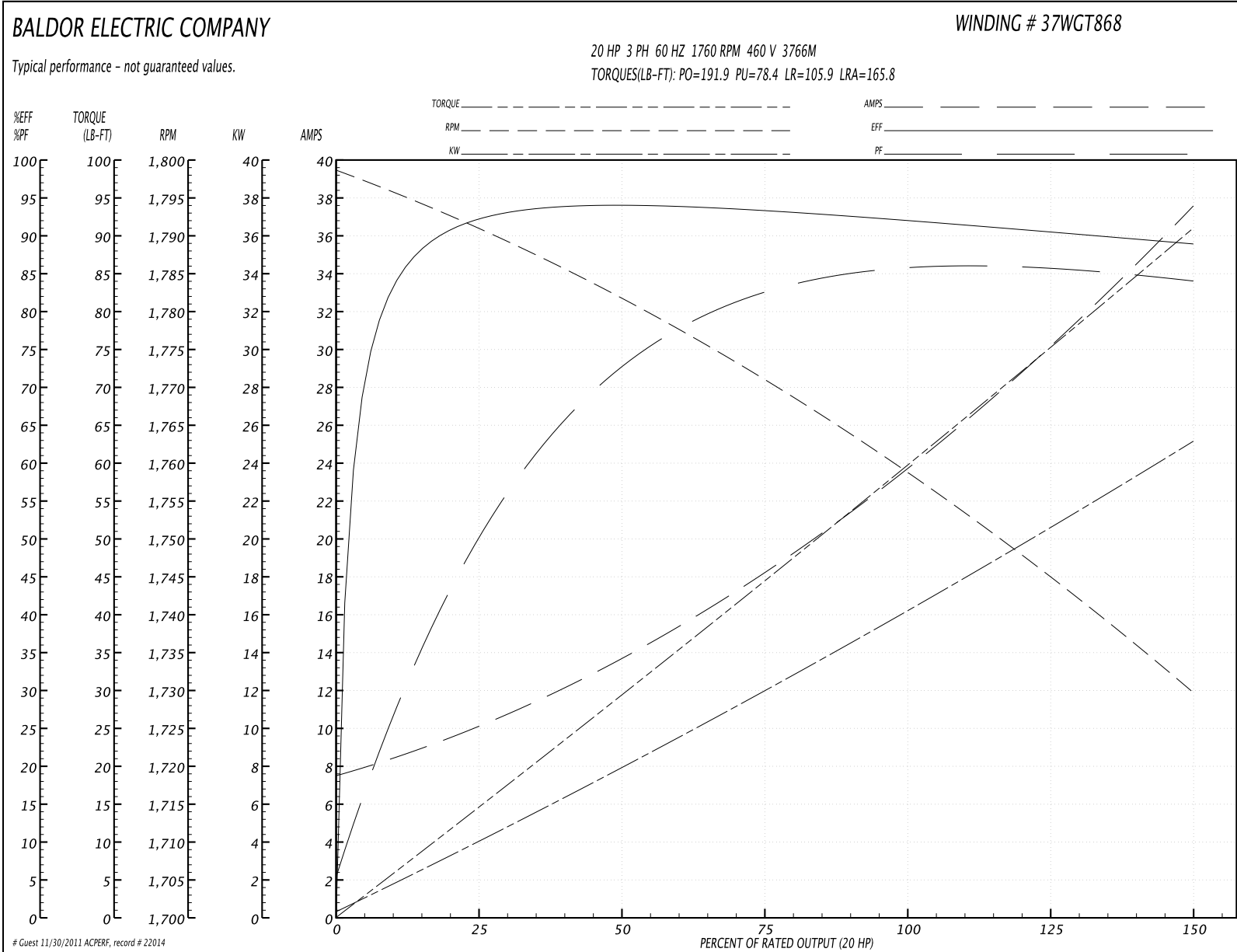
Part Detail									
Revision:	H	Status:	INA/A	Change #:		Proprietary:	No		
Type:	AC	Prod. Type:	3766M	Elec. Spec:	37WGT868	CD Diagram:			
Enclosure:	OPSB	Mfg Plant:		Mech. Spec:	37J629	Layout:			
Frame:	256TC	Mounting:	F1	Poles:	04	Created Date:	05-31-2006		
Base:	RG	Rotation:	R	Insulation:	B	Eff. Date:	02-02-2010		
Leads:	9#12	Literature:		Elec. Diagram:		Replaced By:			
Nameplate NP1256L									
CAT.NO.	CM2515T								
SPEC.	37J629T868H1								
HP	20								
VOLTS	230/460								
AMP	48/24								
RPM	1760								
FRAME	256TC	HZ	60	PH	3				
SER.F.	1.15	CODE	H	DES	A	CLASS	B		
NEMA-NOM-EFF	91.7	PF	84						
RATING	40C AMB-CONT								
CC	010A	USABLE AT 208V	50						
DE	6309	ODE	6206						
ENCL	OPSB	SN							

Parts List		
Part Number	Description	Quantity
SA143787	SA 37J629T868H1	1.000 EA
RA133015	RA 37J629T868H1	1.000 EA
S/P101-000-000	EPACT PROCEDURES-FS PLANT-POLYREX EM, NO	1.000 EA
HA6361A01	LIFTING LUG FOR 37, 39 & 40 FRAME (AUTOP	2.000 EA
09CB3002SP	CB W/1.38 LEAD HOLE FOR 37, 39, 307 & 30	1.000 EA
HA6429	KO BOX ADAPTER REXITE	1.000 EA
19XW2520A16	SCREW,1/4-20X1 TAPTITE-II OR ROLOC 91	2.000 EA
11XW1032G06	10-32 X .38, TAPTITE II, HEX WSHR SLTD U	1.000 EA
HW3001B01	003SS CUP WASHER, FOR #8 SCREW	1.000 EA
WD1000B17	KPA-8C BURNDY TERMINAL	1.000 EA
37EP3200A15	FR ENDPLATE MACH	1.000 EA
HW4500A01	1641B(ALEMITE)400 UNIV, GREASE FITT	1.000 EA
HW4500A20	1/8NPT SL PIPE PLUG	1.000 EA
HW5100A06	W2420-025 WVY WSHR (WB)	1.000 EA
37EP3401A12	PUEP W/GRS, REL, SLINGER MF, NO BAFFLE	1.000 EA
HW4500A01	1641B(ALEMITE)400 UNIV, GREASE FITT	1.000 EA
HW4500A20	1/8NPT SL PIPE PLUG	1.000 EA
10XN2520A28	1/4-20X 1 3/4 HEX HD	4.000 EA
HW1001A25	LOCKWASHER 1/4, ZINC PLT .493 OD, .255 I	4.000 EA
XY3118A12	5/16-18 HEX NUT DIRECTIONAL SERRATION	4.000 EA
09CB3501SP	CONDUIT BOX LID FOR 09CB3001 & 09CB3002	1.000 EA
51XW2520A10	.25-20 X .62, TAPTITE II, HEX WSHR SLTD	2.000 EA
HW2501G26	KEY, 3/8 SQ X 3.000	1.000 EA
85XU0407S04	4X1/4 U DRIVE PIN STAINLESS	2.000 EA

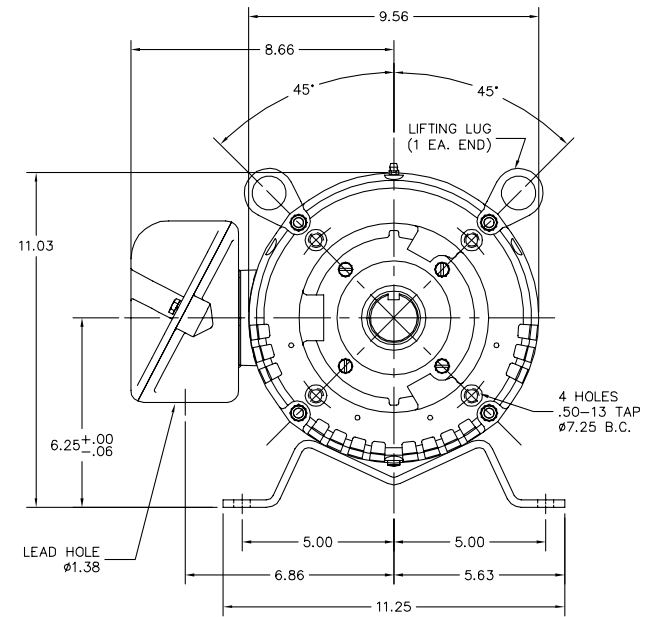
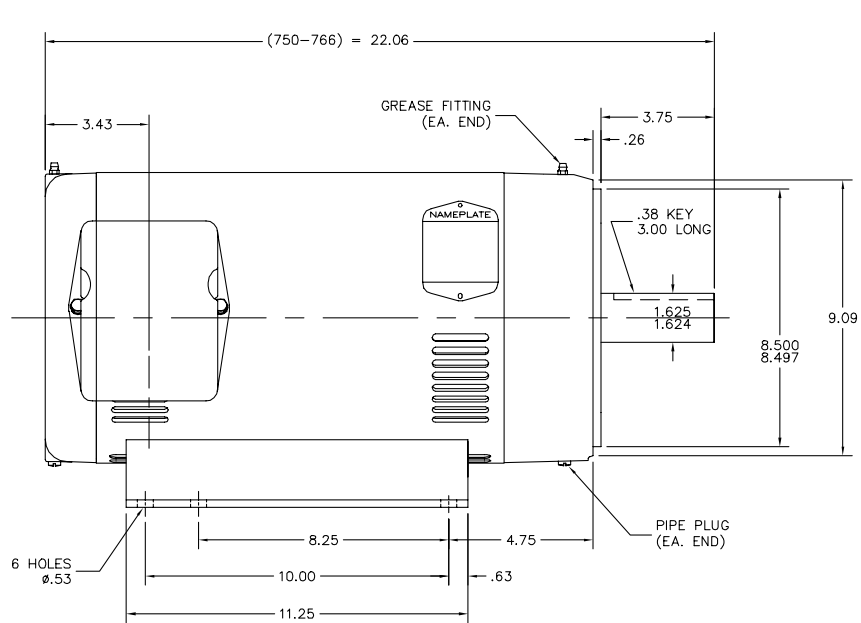
Parts List (continued)		
Part Number	Description	Quantity
LB1115	LABEL,LIFTING DEVICE	1.000 EA
MJ1000A75	GREASE, POLYREX EM EXXON	0.050 LB
MG1000G27	PAINT- S9282E CHARCOAL GREY	0.028 GA
HA3104A52	THRUBOLT, .31-18 X 17.000	4.000 EA
37AD2001A01	BAFFLE PLATE, STAMPED	2.000 EA
LB1125C04	STD-E (STOCK CTN LABEL STD-E WITH FLAG)	1.000 EA
LC0005E01	CONN.DIA./WARNING LABEL (LC0005/LB1119)	1.000 EA
NP1256L	ALUM, UL CSA CC, W/O THERMAL, LASER	1.000 EA
37PA1052	PACKAGING GROUP, 150 LB MTR 2 X 4 RUNNER	1.000 EA

Performance Data at 460V, 60Hz, 20.0HP (Typical performance - Not guaranteed values)							
General Characteristics							
Full Load Torque:	59.8 LB-FT			Start Configuration:	DOL		
No-Load Current:	7.89 Amps			Break-Down Torque:	191.9 LB-FT		
Line-line Res. @ 25°C.:	0.5 Ohms A Ph / 0.0 Ohms B Ph			Pull-Up Torque:	78.4 LB-FT		
Temp. Rise @ Rated Load:	70 C			Locked-Rotor Torque:	105.9 LB-FT		
Temp. Rise @ S.F. Load:	90 C			Starting Current:	165.8 Amps		
Load Characteristics							
% of Rated Load	25	50	75	100	125	150	S.F.
Power Factor:	53.0	74.0	81.0	84.0	85.0	85.0	85.0
Efficiency:	91.5	93.5	93.2	92.1	90.7	88.8	91.3
Speed:	1791.0	1781.0	1771.0	1759.0	1746.0	1729.0	1751.0
Line Amperes:	9.58	13.4	18.4	24.1	30.2	37.4	27.8

Performance Graph at 460V, 60Hz, 20.0HP Typical performance - Not guaranteed values



37LYJ629



CUSTOMER IS RESPONSIBLE FOR DETERMINING THAT MOTOR PERFORMANCE IS SUITABLE IN THE APPLICATION.

REV. DESC: NEW	VERSION: 00	TDR: 000000397992
REV. LTR: -	REVISED: 10:32:56 06/01/2006	BY: ENSTEKO
FILE: \AAA\00137\080		
MTL: -		

BALDOR ELECTRIC Co.

HORZ 254-6TC OPSB M 09 KO (2.188 DIA ROTOR)

37LYJ629

CD0005



LOW VOLTAGE
(2Y)



LINE

HIGH VOLTAGE
(1Y)



LINE

NOTES:

1. INTERCHANGE ANY TWO LINE LEADS TO REVERSE ROTATION.
2. OPTIONAL THERMOSTATS ARE PROVIDED WHEN SPECIFIED.
3. ACTUAL NUMBER OF INTERNAL PARALLEL CIRCUITS MAY BE A MULTIPLE OF THOSE SHOWN ABOVE.
4. LEAD COLORS ARE OPTIONAL. LEADS MUST ALWAYS BE NUMBERED AS SHOWN.

REV. DESC: REVISE TO SHOW OPTIONAL COLORS			
REV. LTR: E	BY: JLP	REVISED: 01/19/99 10:15	TDR: 0171435
900000		FILE: AAA00005140	MDL: -
		MTL: -	

BALDOR ELECTRIC Co.

3PH, DV, 9 LEADS

CD0005