

# **BALDOR**® • ***RELIANCE***

**Product Information Packet**

**ELECTRIC MOTOR WHOLESAL.COM**

**CM2535T**

**30HP,1760RPM,3PH,60HZ,286TC,3952M,OPSB**

| Part Detail |       |             |       |                |         |               |            |
|-------------|-------|-------------|-------|----------------|---------|---------------|------------|
| Revision:   | J     | Status:     | INA/A | Change #:      |         | Proprietary:  | No         |
| Type:       | AC    | Prod. Type: | 3952M | Elec. Spec:    | 39WG960 | CD Diagram:   |            |
| Enclosure:  | OPSB  | Mfg Plant:  |       | Mech. Spec:    | 39L33   | Layout:       |            |
| Frame:      | 286TC | Mounting:   | F1    | Poles:         | 04      | Created Date: |            |
| Base:       | RG    | Rotation:   | R     | Insulation:    | B       | Eff. Date:    | 07-29-2008 |
| Leads:      | 9#10  | Literature: |       | Elec. Diagram: |         | Replaced By:  |            |

**Nameplate NP1256L**

|              |              |                |      |     |   |       |   |
|--------------|--------------|----------------|------|-----|---|-------|---|
| CAT.NO.      | CM2535T      |                |      |     |   |       |   |
| SPEC.        | 39L033W960H1 |                |      |     |   |       |   |
| HP           | 30           |                |      |     |   |       |   |
| VOLTS        | 230/460      |                |      |     |   |       |   |
| AMP          | 72/36        |                |      |     |   |       |   |
| RPM          | 1760         |                |      |     |   |       |   |
| FRAME        | 286TC        | HZ             | 60   | PH  | 3 |       |   |
| SER.F.       | 1.15         | CODE           | H    | DES | B | CLASS | B |
| NEMA-NOM-EFF | 92.4         | PF             | 84   |     |   |       |   |
| RATING       | 40C AMB-CONT |                |      |     |   |       |   |
| CC           | 010A         | USABLE AT 208V | 77   |     |   |       |   |
| DE           | 6311         | ODE            | 6208 |     |   |       |   |
| ENCL         | OPSB         | SN             |      |     |   |       |   |
|              |              |                |      |     |   |       |   |

| Parts List     |  |          |
|----------------|--|----------|
| Part Number    | Description                              | Quantity |
| SA045034       | SA 39L033W960H1                          | 1.000 EA |
| RA040438       | RA 39L033W960H1                          | 1.000 EA |
| S/P101-000-003 | EPACT PROC-ZK 280FR & UP,LARGE KOBX,POLY | 1.000 EA |
| HA6361A01      | LIFTING LUG FOR 37, 39 & 40 FRAME (AUTOP | 2.000 EA |
| 09CB2800A03    | ADAPTER MACH FOR 10CB3000                | 1.000 EA |
| 84XN3118J12    | 5/16-18 X 3/4 SOC HD CAP SCREW,BLK OXIDE | 2.000 EA |
| HW1001A31      | LOCKWASHER 5/16, ZINC PLT.591 OD, .319 I | 2.000 EA |
| 10CB3000SP     | STD KO BOX MODEL 310,312,314 MTRS W/2.00 | 1.000 EA |
| 19XW3118A12    | .31-18 X .75 HEX WASHER HEAD TAPTITE II  | 4.000 EA |
| HW1001A31      | LOCKWASHER 5/16, ZINC PLT.591 OD, .319 I | 4.000 EA |
| WD1000B16      | KPA-4C BURNDY TERMINAL                   | 1.000 EA |
| 51XF2520A08    | SCREW, HEX SER SLT HD, ZN 1/4-20 X .50 L | 1.000 EA |
| 39EP3200A01SP  | FR/PU ENDPLATE, MACH                     | 1.000 EA |
| HA4051A00      | PLASTIC CAP FOR GREASE FITTING           | 1.000 EA |
| HW5100A08      | W3118-035 WVY WSHR (WB)                  | 1.000 EA |
| 39EP1403A01    | PU ENDPLATE MACH. 284-6TC - OPEN         | 1.000 EA |
| HA4051A00      | PLASTIC CAP FOR GREASE FITTING           | 1.000 EA |
| 10XN3118K36    | 5/16-18 X 2.25" HEX HD, GRADE 5          | 4.000 EA |
| HW1001A31      | LOCKWASHER 5/16, ZINC PLT.591 OD, .319 I | 4.000 EA |
| XY3816A12      | 3/8-16 FINISHED NUT                      | 8.000 EA |
| 10CB3500SP     | CONDUIT BOX LID, CAST                    | 1.000 EA |
| 51XW2520A12    | .25-20 X .75, TAPTITE II, HEX WSHR SLTD  | 4.000 EA |
| HW2501H28      | KEY, 1/2 SQ X 3.250                      | 1.000 EA |
| LB1115         | LABEL,LIFTING DEVICE                     | 1.000 EA |

| Parts List (continued) |  |          |
|------------------------|--|----------|
| Part Number            | Description                              | Quantity |
| HW4500A03              | GREASE FITTING, .125 NPT 1610(ALEMITE) 8 | 1.000 EA |
| HW4500A20              | 1/8NPT SL PIPE PLUG                      | 1.000 EA |
| MJ1000A75              | GREASE, POLYREX EM EXXON                 | 0.030 LB |
| HW4500A03              | GREASE FITTING, .125 NPT 1610(ALEMITE) 8 | 1.000 EA |
| HW4500A20              | 1/8NPT SL PIPE PLUG                      | 1.000 EA |
| MG1000G27              | PAINT- S9282E CHARCOAL GREY              | 0.050 GA |
| 85XU0407A04            | #4-7 X 1/4 DRIVE PIN                     | 2.000 EA |
| 39AD2002A01            | BAFFLE PLATE 39 OPEN, SLOTTED BAND MTRS  | 2.000 EA |
| HA3154A10              | THRUBOLT STUD 3/8-16 X 18.250"           | 4.000 EA |
| LB1119                 | WARNING LABEL                            | 1.000 EA |
| LC0181                 | CONNECTION LABEL                         | 1.000 EA |
| LB1125C04              | STD-E (STOCK CTN LABEL STD-E WITH FLAG)  | 4.000 EA |
| NP1256L                | ALUM, UL CSA CC, W/O THERMAL, LASER      | 1.000 EA |
| 40PA1000               | PACKAGING GROUP                          | 1.000 EA |
| LB5040                 | INSTRUCTION TAG, AC & DC                 | 1.000 EA |

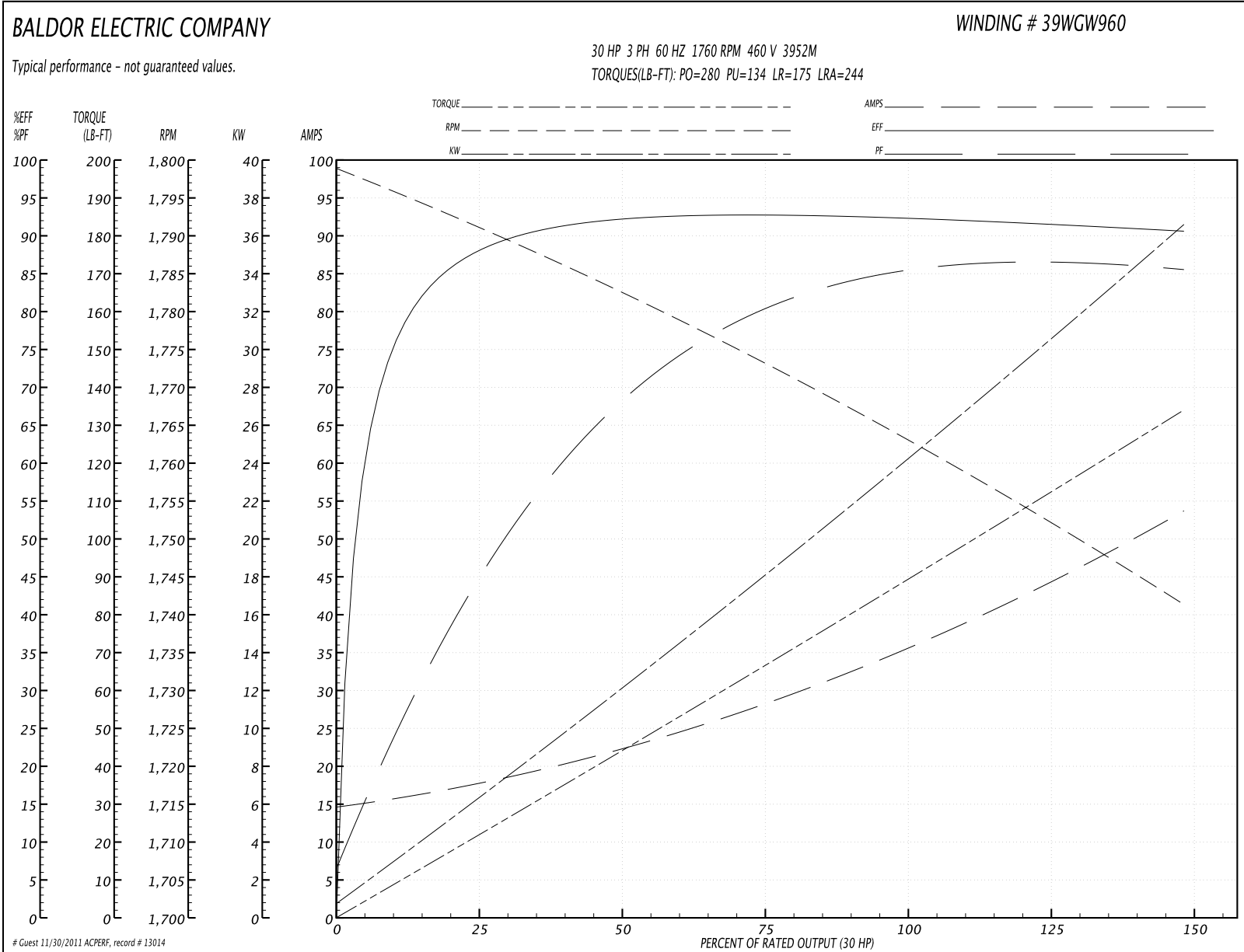
**Performance Data at 460V, 60Hz, 30.0HP (Typical performance - Not guaranteed values)**
**General Characteristics**

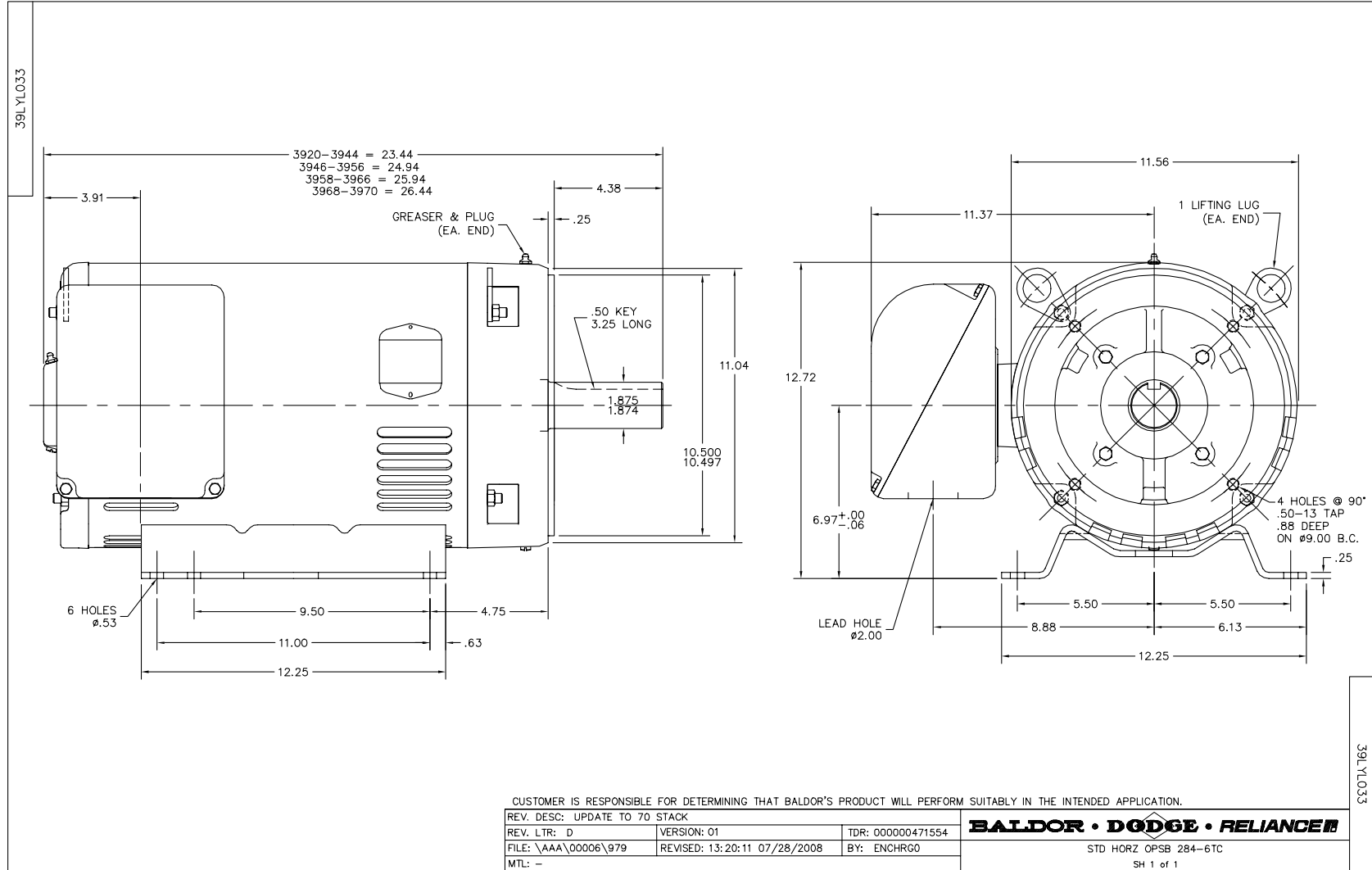
|                                 |                                 |                             |             |
|---------------------------------|---------------------------------|-----------------------------|-------------|
| <b>Full Load Torque:</b>        | 89.4 LB-FT                      | <b>Start Configuration:</b> | DOL         |
| <b>No-Load Current:</b>         | 15.16 Amps                      | <b>Break-Down Torque:</b>   | 280.0 LB-FT |
| <b>Line-line Res. @ 25°C.:</b>  | 0.292 Ohms A Ph / 0.0 Ohms B Ph | <b>Pull-Up Torque:</b>      | 134.0 LB-FT |
| <b>Temp. Rise @ Rated Load:</b> | 54 C                            | <b>Locked-Rotor Torque:</b> | 175.0 LB-FT |
| <b>Temp. Rise @ S.F. Load:</b>  | 72 C                            | <b>Starting Current:</b>    | 244.0 Amps  |

**Load Characteristics**

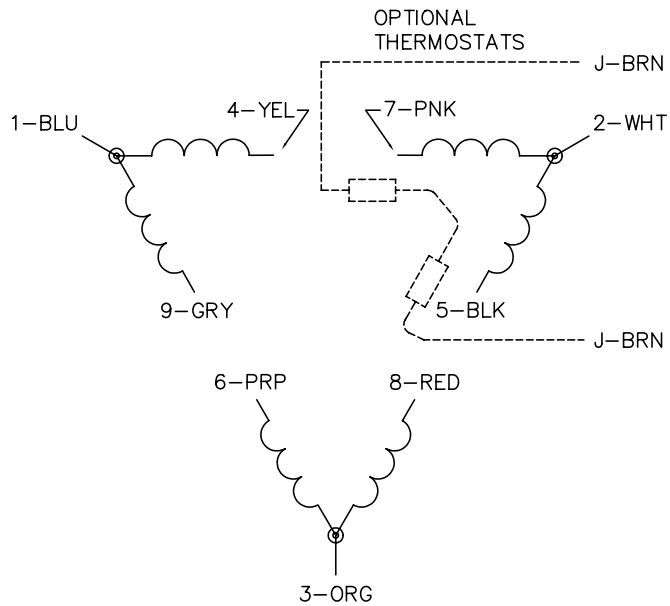
| <b>% of Rated Load</b> | <b>25</b> | <b>50</b> | <b>75</b> | <b>100</b> | <b>125</b> | <b>150</b> | <b>S.F.</b> |
|------------------------|-----------|-----------|-----------|------------|------------|------------|-------------|
| <b>Power Factor:</b>   | 47.0      | 69.0      | 79.0      | 84.0       | 87.0       | 87.0       | 86.0        |
| <b>Efficiency:</b>     | 87.9      | 92.0      | 92.7      | 92.4       | 91.7       | 90.5       | 92.0        |
| <b>Speed:</b>          | 1791.0    | 1782.0    | 1773.0    | 1763.0     | 1753.0     | 1741.0     | 1757.0      |
| <b>Line Amperes:</b>   | 17.07     | 22.1      | 28.6      | 36.1       | 44.2       | 53.4       | 40.9        |

Performance Graph at 460V, 60Hz, 30.0HP Typical performance - Not guaranteed values

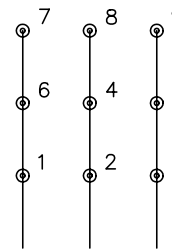




CD0180

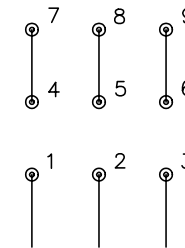


LOW VOLTAGE  
(2D)



LINE

HIGH VOLTAGE  
(1D)



LINE

NOTES:

1. INTERCHANGE ANY TWO LINE LEADS TO REVERSE ROTATION.
2. OPTIONAL THERMOSTATS ARE PROVIDED WHEN SPECIFIED.
3. ACTUAL NUMBER OF INTERNAL PARALLEL CIRCUITS MAY BE A MULTIPLE OF THOSE SHOWN ABOVE.
4. LEAD COLORS ARE OPTIONAL. LEADS MUST ALWAYS BE NUMBERED AS SHOWN.

|   |         |                        |              |
|---|---------|------------------------|--------------|
| REV. DESC: REVISE TO SHOW OPTIONAL COLORS |         |                        |              |
| REV. LTR: C                               | BY: JLP | REVISED: 01/21/99 2:28 | TDR: 0171435 |
| 0810D0                                    |         | FILE: AAA00005148      | MDL: -       |
|   |         | MTL: -                 |              |

**BALDOR ELECTRIC Co.**

3PH, DV, 9 LEADS, DELTA CONNECTION

CD0180