

# **BALDOR® • RELIANCE**

**Product Information Packet**

**ELECTRIC MOTOR WHOLESAL.COM**

**CM2539T**

**40HP,1770RPM,3PH,60HZ,324TC,4052M,OPSB**

Part Detail							
Revision:	N	Status:	INA/A	Change #:		Proprietary:	No
Type:	AC	Prod. Type:	4052M	Elec. Spec:	40WGW952	CD Diagram:	
Enclosure:	OPSB	Mfg Plant:		Mech. Spec:	40H06	Layout:	
Frame:	324TC	Mounting:	F1	Poles:	04	Created Date:	
Base:	RG	Rotation:	R	Insulation:	B	Eff. Date:	04-20-2010
Leads:	9#8	Literature:		Elec. Diagram:		Replaced By:	

**Nameplate NP1256L**

CAT.NO.	CM2539T						
SPEC.	40H006W952H1						
HP	40						
VOLTS	230/460						
AMP	98/49						
RPM	1770						
FRAME	324TC	HZ	60	PH	3		
SER.F.	1.15	CODE	G	DES	B	CLASS	B
NEMA-NOM-EFF	93	PF	83				
RATING	40C AMB-CONT						
CC	010A	USABLE AT 208V	106				
DE	6312	ODE	6309				
ENCL	OPSB	SN					

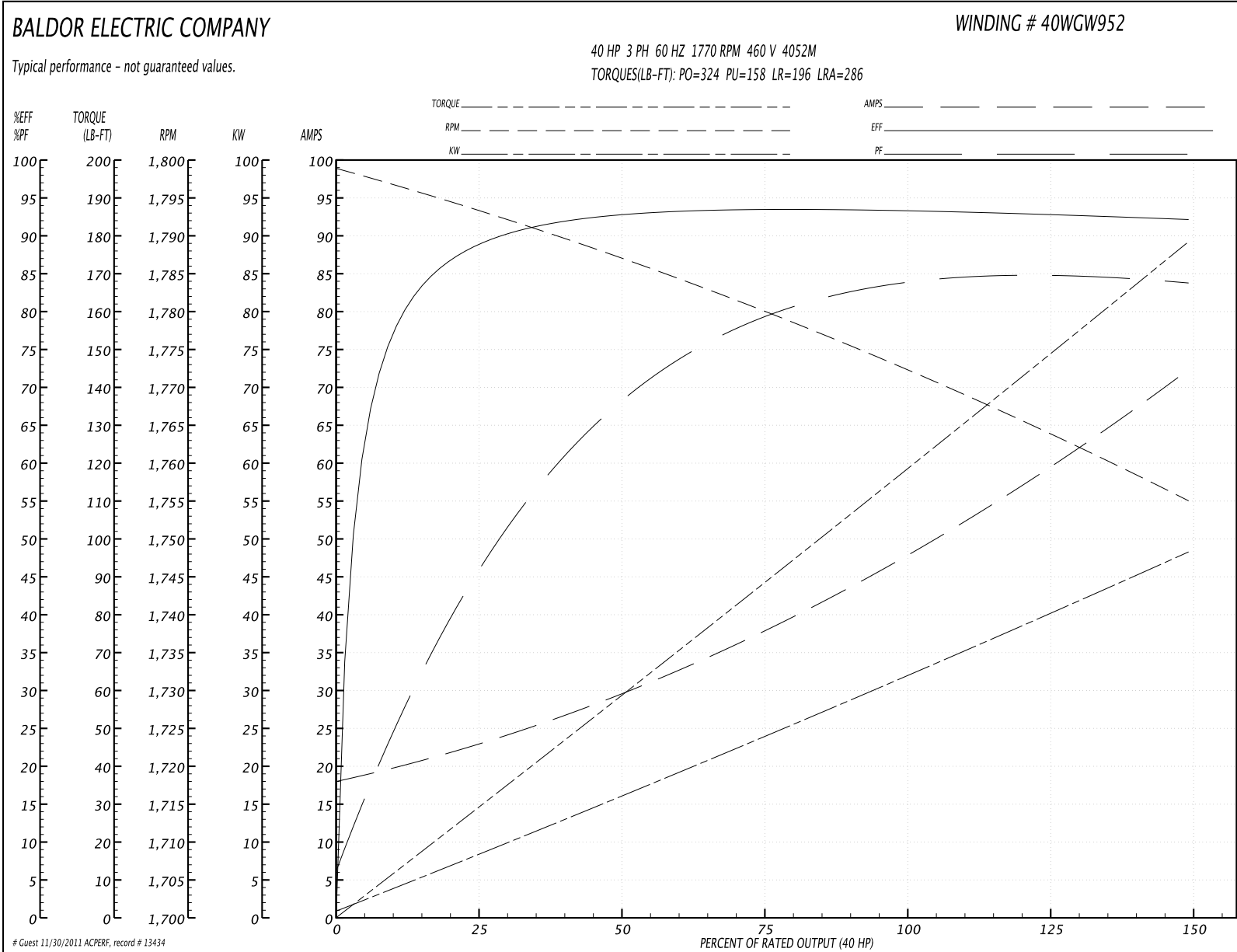
Parts List		
Part Number	Description	Quantity
SA045036	SA 40H006W952H1	1.000 EA
RA040440	RA 40H006W952H1	1.000 EA
S/P101-000-003	EPACT PROC-ZK 280FR & UP,LARGE KOBX,POLY	1.000 EA
HA6361A01	LIFTING LUG FOR 37, 39 & 40 FRAME (AUTOP	2.000 EA
HA6017A01	CAST ADAPTOR	1.000 EA
19XW3118A12	.31-18 X .75 HEX WASHER HEAD TAPTITE II	2.000 EA
HW1001A31	LOCKWASHER 5/16, ZINC PLT.591 OD, .319 I	2.000 EA
10CB3001	CONDUIT BOX CAST W/2.500 LEAD HOLE	1.000 EA
19XW3118A12	.31-18 X .75 HEX WASHER HEAD TAPTITE II	4.000 EA
HW1001A31	LOCKWASHER 5/16, ZINC PLT.591 OD, .319 I	4.000 EA
WD1000B16	KPA-4C BURNDY TERMINAL	1.000 EA
51XF2520A08	SCREW, HEX SER SLT HD, ZN 1/4-20 X .50 L	1.000 EA
40EP3200A02	STD FREP OPEN 309 BRG	1.000 EA
HA4051A00	PLASTIC CAP FOR GREASE FITTING	1.000 EA
HW5100A11	W3917-042 WVY WSHR (WB)	1.000 EA
40EP1401A01	FR ENDPLATE, MACH OPEN NEMA 324-6T	1.000 EA
HA4051A00	PLASTIC CAP FOR GREASE FITTING	1.000 EA
10XN3118K40	5/16-18 X 2.50" HEX HD, GRADE 5	4.000 EA
HW1001A31	LOCKWASHER 5/16, ZINC PLT.591 OD, .319 I	4.000 EA
XY3816A12	3/8-16 FINISHED NUT	8.000 EA
10CB3500SP	CONDUIT BOX LID, CAST	1.000 EA
51XW2520A12	.25-20 X .75, TAPTITE II, HEX WSHR SLTD	4.000 EA
HW2501H33	KEY, 1/2 SQ X 3.875	1.000 EA
LB1115	LABEL,LIFTING DEVICE	1.000 EA

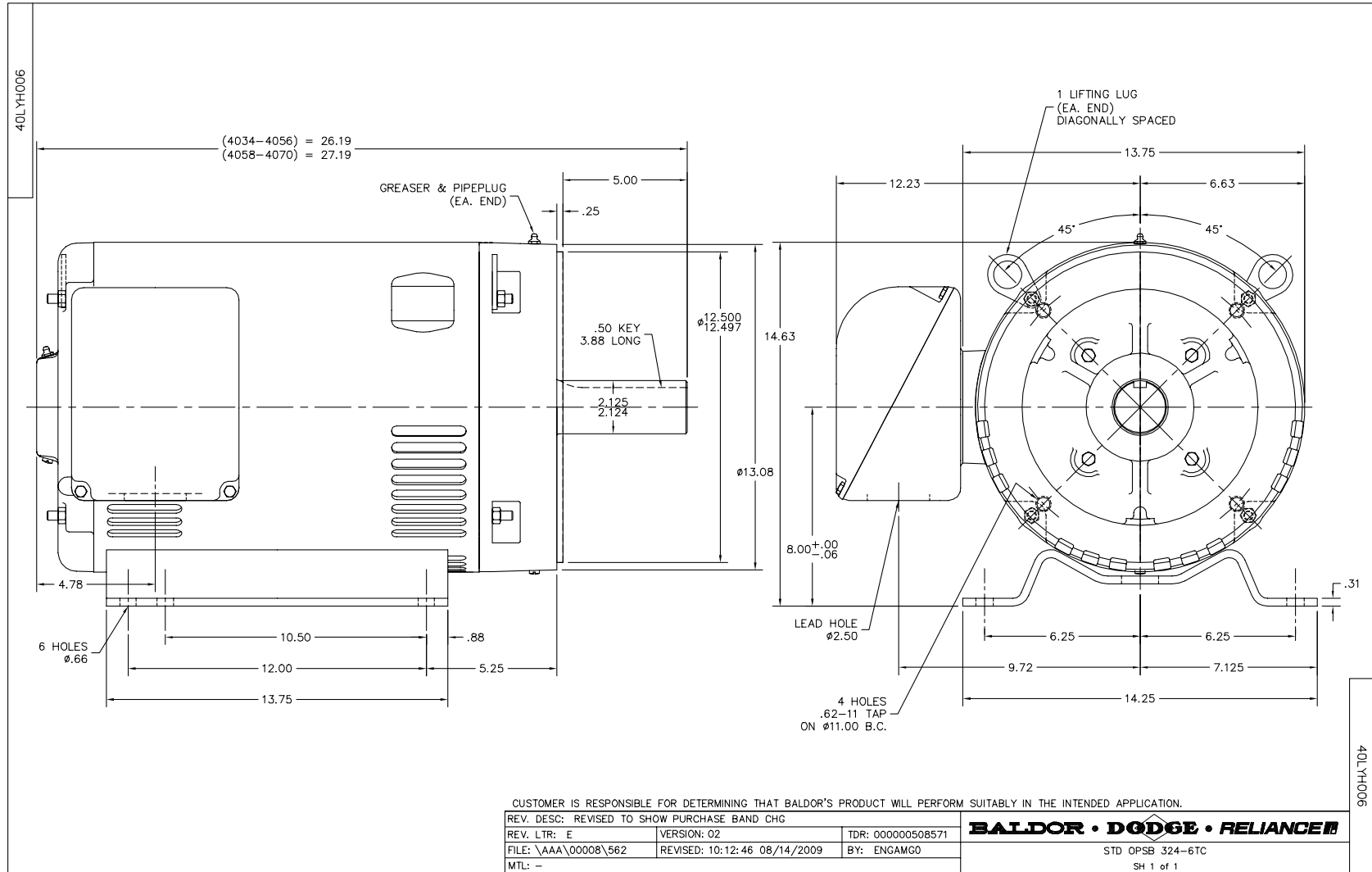
Parts List (continued)		
Part Number	Description	Quantity
HW4500A03	GREASE FITTING, .125 NPT 1610(ALEMITE) 8	1.000 EA
HW4500A20	1/8NPT SL PIPE PLUG	1.000 EA
MJ1000A75	GREASE, POLYREX EM EXXON	0.050 LB
HW4500A03	GREASE FITTING, .125 NPT 1610(ALEMITE) 8	1.000 EA
HW4500A20	1/8NPT SL PIPE PLUG	1.000 EA
HA3154A04	THRUBOLT STUD 3/8-16 X 18.750	4.000 EA
MG1000G27	PAINT- S9282E CHARCOAL GREY	0.030 GA
85XU0407A04	#4-7 X 1/4 DRIVE PIN	2.000 EA
40AD2002A01	LEXAN BAFFLE 40 FR OPEN	2.000 EA
LB1125C04	STD-E (STOCK CTN LABEL STD-E WITH FLAG)	4.000 EA
LC0005E01	CONN.DIA./WARNING LABEL (LC0005/LB1119)	1.000 EA
NP1256L	ALUM, UL CSA CC, W/O THERMAL, LASER	1.000 EA
40PA1000	PACKAGING GROUP	1.000 EA
LB5040	INSTRUCTION TAG, AC & DC	1.000 EA

**Performance Data at 460V, 60Hz, 40.0HP (Typical performance - Not guaranteed values)**

General Characteristics							
Full Load Torque:	119.0 LB-FT			Start Configuration:	DOL		
No-Load Current:	18.41 Amps			Break-Down Torque:	324.0 LB-FT		
Line-line Res. @ 25°C.:	0.1901 Ohms A Ph / 0.0 Ohms B Ph			Pull-Up Torque:	158.0 LB-FT		
Temp. Rise @ Rated Load:	41 C			Locked-Rotor Torque:	196.0 LB-FT		
Temp. Rise @ S.F. Load:	54 C			Starting Current:	286.0 Amps		
Load Characteristics							
% of Rated Load	25	50	75	100	125	150	S.F.
Power Factor:	47.0	69.0	79.0	83.0	84.0	85.0	84.0
Efficiency:	89.0	92.8	93.4	93.3	92.9	92.1	93.1
Speed:	1793.0	1787.0	1780.0	1772.0	1764.0	1755.0	1767.0
Line Amperes:	22.6	29.3	38.2	48.5	59.7	72.0	55.2

Performance Graph at 460V, 60Hz, 40.0HP Typical performance - Not guaranteed values

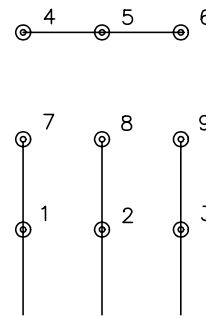




CD0005

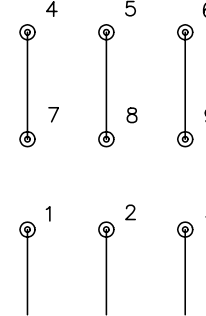


LOW VOLTAGE  
(2Y)



LINE

HIGH VOLTAGE  
(1Y)



LINE

NOTES:

1. INTERCHANGE ANY TWO LINE LEADS TO REVERSE ROTATION.
2. OPTIONAL THERMOSTATS ARE PROVIDED WHEN SPECIFIED.
3. ACTUAL NUMBER OF INTERNAL PARALLEL CIRCUITS MAY BE A MULTIPLE OF THOSE SHOWN ABOVE.
4. LEAD COLORS ARE OPTIONAL. LEADS MUST ALWAYS BE NUMBERED AS SHOWN.

REV. DESC: REVISE TO SHOW OPTIONAL COLORS			
REV. LTR: E	BY: JLP	REVISED: 01/19/99 10:15	TDR: 0171435
90000		FILE: AAA00005140	MDL: -
		MTL: -	

**BALDOR ELECTRIC Co.**

3PH, DV, 9 LEADS

CD0005