

BALDOR® • RELIANCE

Product Information Packet

ELECTRIC MOTOR WHOLESAL.COM

CM2543T

50HP, 1765RPM, 3PH, 60HZ, 326TC, 4060M, OPSB

Part Detail							
Revision:	K	Status:	INA/A	Change #:		Proprietary:	No
Type:	AC	Prod. Type:	4060M	Elec. Spec:	40WGW951	CD Diagram:	
Enclosure:	OPSB	Mfg Plant:		Mech. Spec:	40H06	Layout:	
Frame:	326TC	Mounting:	F1	Poles:	04	Created Date:	
Base:	RG	Rotation:	R	Insulation:	B	Eff. Date:	04-20-2010
Leads:	9#8	Literature:		Elec. Diagram:		Replaced By:	

Nameplate NP1256L									
CAT.NO.	CM2543T								
SPEC.	40H006W951H1								
HP	50								
VOLTS	230/460								
AMP	124/62								
RPM	1765								
FRAME	326TC	HZ			60	PH	3		
SER.F.	1.15	CODE			G	DES	B	CLASS	B
NEMA-NOM-EFF	93	PF			81				
RATING	40C AMB-CONT								
CC	010A	USABLE AT 208V			133				
DE	6312	ODE			6309				
ENCL	OPSB	SN							

Parts List		
Part Number	Description	Quantity
SA042444	SA 40H006W951H1	1.000 EA
RA038245	RA 40H006W951H1	1.000 EA
S/P101-000-003	EPACT PROC-ZK 280FR & UP,LARGE KOBX,POLY	1.000 EA
HA6361A01	LIFTING LUG FOR 37, 39 & 40 FRAME (AUTOP	2.000 EA
HA6017A01	CAST ADAPTOR	1.000 EA
19XW3118A12	.31-18 X .75 HEX WASHER HEAD TAPTITE II	2.000 EA
HW1001A31	LOCKWASHER 5/16, ZINC PLT.591 OD, .319 I	2.000 EA
10CB3001	CONDUIT BOX CAST W/2.500 LEAD HOLE	1.000 EA
19XW3118A12	.31-18 X .75 HEX WASHER HEAD TAPTITE II	4.000 EA
HW1001A31	LOCKWASHER 5/16, ZINC PLT.591 OD, .319 I	4.000 EA
WD1000B16	KPA-4C BURNDY TERMINAL	1.000 EA
51XF2520A08	SCREW, HEX SER SLT HD, ZN 1/4-20 X .50 L	1.000 EA
40EP3200A02	STD FREP OPEN 309 BRG	1.000 EA
HA4051A00	PLASTIC CAP FOR GREASE FITTING	1.000 EA
HW5100A11	W3917-042 WVY WSHR (WB)	1.000 EA
40EP1401A01	FR ENDPLATE, MACH OPEN NEMA 324-6T	1.000 EA
HA4051A00	PLASTIC CAP FOR GREASE FITTING	1.000 EA
10XN3118K40	5/16-18 X 2.50" HEX HD, GRADE 5	4.000 EA
HW1001A31	LOCKWASHER 5/16, ZINC PLT.591 OD, .319 I	4.000 EA
XY3816A12	3/8-16 FINISHED NUT	8.000 EA
10CB3500SP	CONDUIT BOX LID, CAST	1.000 EA
51XW2520A12	.25-20 X .75, TAPTITE II, HEX WSHR SLTD	4.000 EA
HW2501H33	KEY, 1/2 SQ X 3.875	1.000 EA
LB1115	LABEL,LIFTING DEVICE	1.000 EA

Parts List (continued)		
Part Number	Description	Quantity
HW4500A03	GREASE FITTING, .125 NPT 1610(ALEMITE) 8	1.000 EA
HW4500A20	1/8NPT SL PIPE PLUG	1.000 EA
MJ1000A75	GREASE, POLYREX EM EXXON	0.050 LB
HW4500A03	GREASE FITTING, .125 NPT 1610(ALEMITE) 8	1.000 EA
HW4500A20	1/8NPT SL PIPE PLUG	1.000 EA
MG1000G27	PAINT- S9282E CHARCOAL GREY	0.030 GA
85XU0407A04	#4-7 X 1/4 DRIVE PIN	2.000 EA
40AD2002A01	LEXAN BAFFLE 40 FR OPEN	2.000 EA
HA3154A06	THRUBOLT STUD 3/8-16 X 19.500	4.000 EA
LB1119	WARNING LABEL	1.000 EA
LB1125C04	STD-E (STOCK CTN LABEL STD-E WITH FLAG)	4.000 EA
LC0181	CONNECTION LABEL	1.000 EA
NP1256L	ALUM, UL CSA CC, W/O THERMAL, LASER	1.000 EA
40PA1000	PACKAGING GROUP	1.000 EA
LB5040	INSTRUCTION TAG, AC & DC	1.000 EA

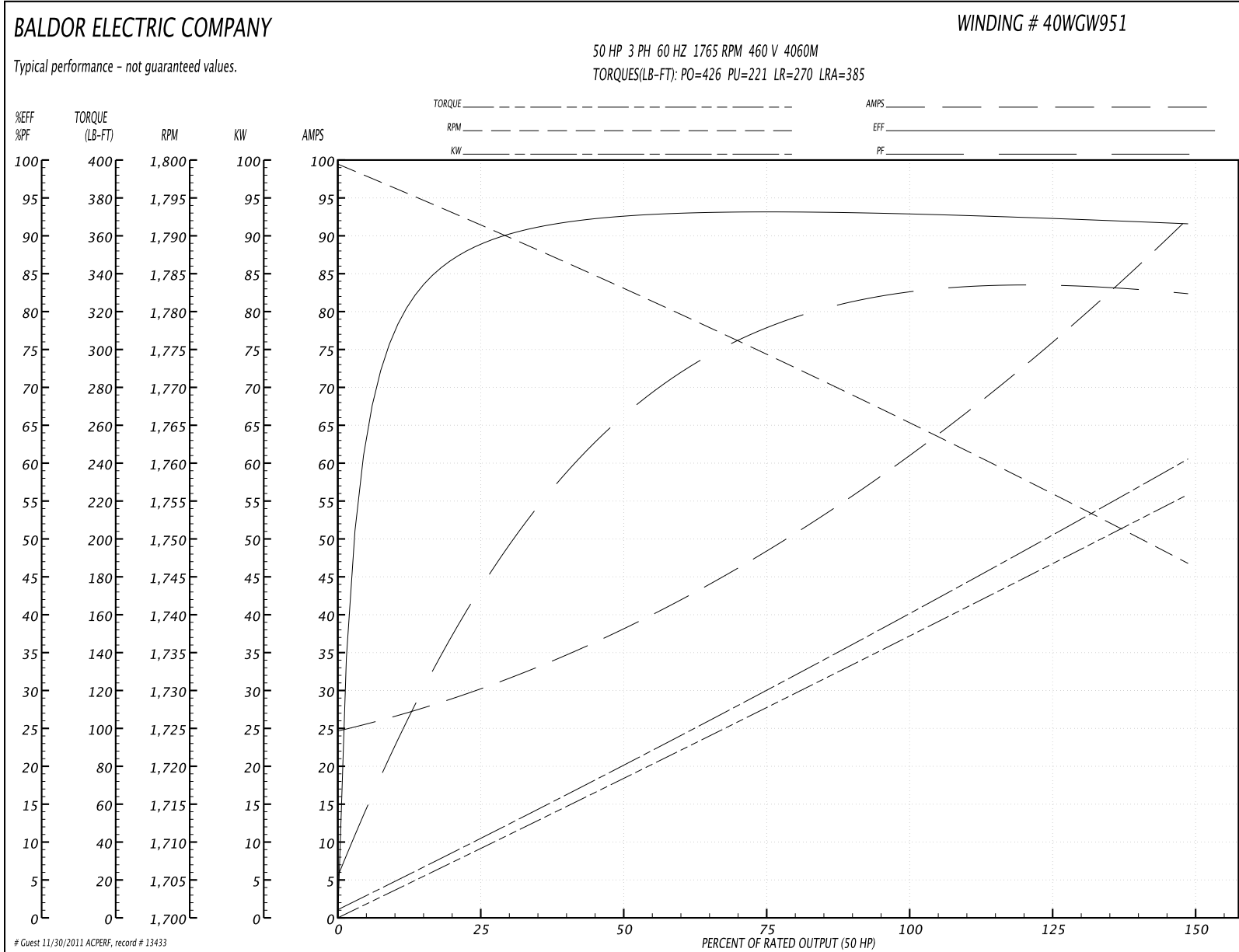
Performance Data at 460V, 60Hz, 50.0HP (Typical performance - Not guaranteed values)
General Characteristics

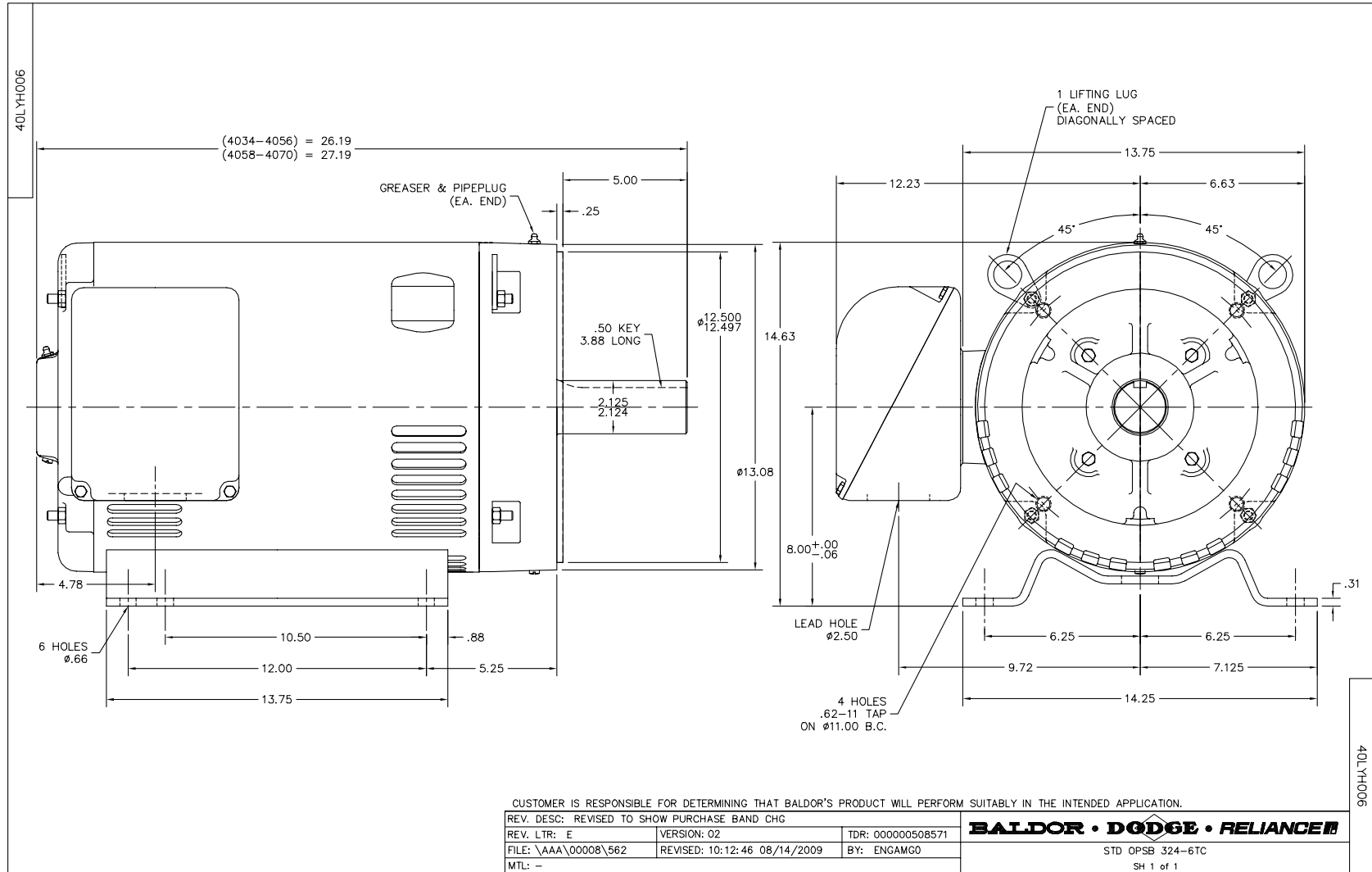
Full Load Torque:	149.0 LB-FT	Start Configuration:	DOL
No-Load Current:	25.48 Amps	Break-Down Torque:	426.0 LB-FT
Line-line Res. @ 25°C.:	0.1406 Ohms A Ph / 0.0 Ohms B Ph	Pull-Up Torque:	221.0 LB-FT
Temp. Rise @ Rated Load:	54 C	Locked-Rotor Torque:	270.0 LB-FT
Temp. Rise @ S.F. Load:	72 C	Starting Current:	385.0 Amps

Load Characteristics

% of Rated Load	25	50	75	100	125	150	S.F.
Power Factor:	45.0	67.0	77.0	81.0	83.0	84.0	83.0
Efficiency:	88.4	92.4	93.2	93.0	92.4	91.5	92.6
Speed:	1792.0	1783.0	1774.0	1765.0	1756.0	1747.0	1760.0
Line Amperes:	29.23	37.8	49.0	61.8	75.9	91.8	70.2

Performance Graph at 460V, 60Hz, 50.0HP Typical performance - Not guaranteed values

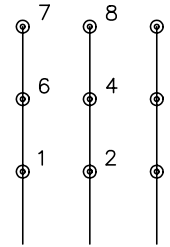




CD0180

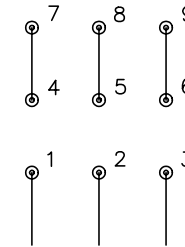


LOW VOLTAGE
(2D)



LINE

HIGH VOLTAGE
(1D)



LINE

NOTES:

1. INTERCHANGE ANY TWO LINE LEADS TO REVERSE ROTATION.
2. OPTIONAL THERMOSTATS ARE PROVIDED WHEN SPECIFIED.
3. ACTUAL NUMBER OF INTERNAL PARALLEL CIRCUITS MAY BE A MULTIPLE OF THOSE SHOWN ABOVE.
4. LEAD COLORS ARE OPTIONAL. LEADS MUST ALWAYS BE NUMBERED AS SHOWN.

REV. DESC: REVISE TO SHOW OPTIONAL COLORS			
REV. LTR: C	BY: JLP	REVISED: 01/21/99 2:28	TDR: 0171435
0810D0		FILE: AAA00005148	MDL: -
		MTL: -	

BALDOR ELECTRIC Co.

3PH, DV, 9 LEADS, DELTA CONNECTION

CD0180