

BALDOR® • RELIANCE

Product Information Packet

ELECTRIC MOTOR WHOLESAL.COM

CM3116T

1HP,1750RPM,3PH,60HZ,143TC,3516M,OPSB,F1

Part Detail							
Revision:	C	Status:	INA/A	Change #:		Proprietary:	No
Type:	AC	Prod. Type:	3516M	Elec. Spec:	35WGP674	CD Diagram:	
Enclosure:	OPSB	Mfg Plant:		Mech. Spec:	35B102	Layout:	
Frame:	143TC	Mounting:	F1	Poles:	04	Created Date:	10-18-2007
Base:	RG	Rotation:	R	Insulation:	B	Eff. Date:	06-17-2009
Leads:	9#18	Literature:		Elec. Diagram:		Replaced By:	

Nameplate NP1256L									
CAT.NO.	CM3116T								
SPEC.	35B102P674H1								
HP	1								
VOLTS	208-230/460								
AMP	3.38-3.12/1.56								
RPM	1750								
FRAME	143TC	HZ			60	PH	3		
SER.F.	1.15	CODE			M	DES	B	CLASS	B
NEMA-NOM-EFF	82.5	PF			73				
RATING	40C AMB-CONT								
CC	010A	USABLE AT 208V							
DE	6205	ODE			6203				
ENCL	OPSB	SN							

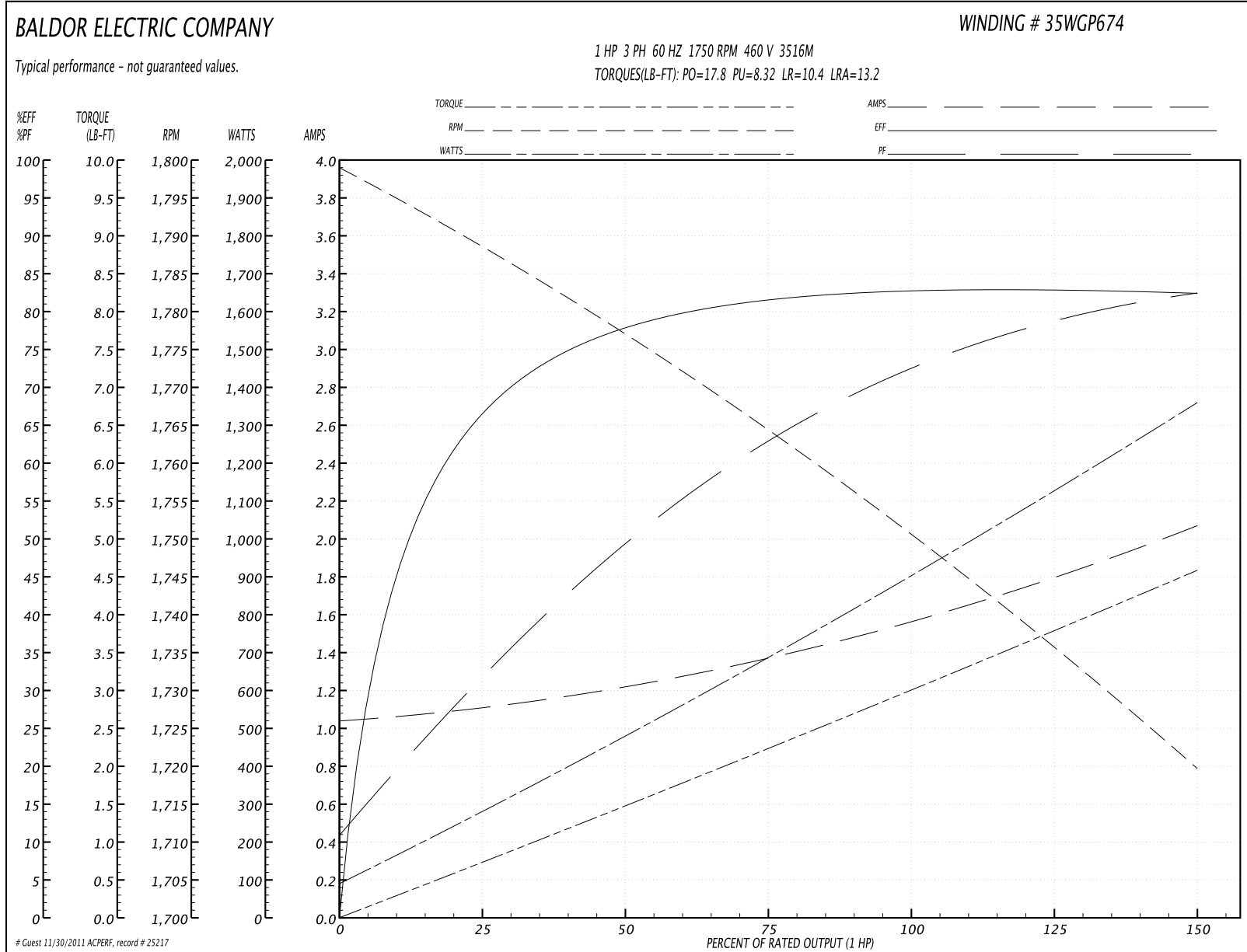
Parts List		
Part Number	Description	Quantity
SA164655	SA 35B102P674H1	1.000 EA
RA153081	RA 35B102P674H1	1.000 EA
S/P101-000-000	EPACT PROCEDURES-FS PLANT-POLYREX EM, NO	1.000 EA
NS2512A01	INSULATOR, CONDUIT BOX X	1.000 EA
35CB3007	35 CB CASTING W/.88 DIA. LEAD HOLE	1.000 EA
51XB1016A07	10-16 X 7/16 HXWSSLD SERTYB	2.000 EA
11XW1032G06	10-32 X .38, TAPTITE II, HEX WSHR SLTD U	1.000 EA
35EP3201A01	STD FR ENDPLATE-OPEN-203 BRG W/GREASER	1.000 EA
HW4500A01	1641B(ALEMITE)400 UNIV, GREASE FITT	1.000 EA
HW5100A03SP	WAVY WASHER (W1543-017)	1.000 EA
35EP3400A14	SPL FACE MTD END PLATE - OPEN-143-5TC-05	1.000 EA
HW4500A01	1641B(ALEMITE)400 UNIV, GREASE FITT	1.000 EA
51XN1032A20	10-32 X 1 1/4 HX WS SL SR	2.000 EA
35CB4521	35 LIPPED CB LID (GALV & PHOSPH)	1.000 EA
51XW0832A07	8-32 X .44, TAPTITE II, HEX WSHR SLTD SE	4.000 EA
HW2501D13SP	KEY, 3/16 SQ X 1.375	1.000 EA
HA7000A01	KEY RETAINER 7/8" DIA SHAFT	1.000 EA
85XU0407S04	4X1/4 U DRIVE PIN STAINLESS	2.000 EA
MJ1000A75	GREASE, POLYREX EM EXXON	0.050 LB
MG1000G27	PAINT- S9282E CHARCOAL GREY	0.017 GA
35AD2005B01	BAFFLE PLATE,MOD 35-SLTD BAND MTR TDR	2.000 EA
HA3100A14	THRUBOLT 10-32 X 7.875	4.000 EA
LB1125C04	STD-E (STOCK CTN LABEL STD-E WITH FLAG)	1.000 EA
LC0005E01	CONN.DIA./WARNING LABEL (LC0005/LB1119)	1.000 EA

Parts List (continued)		
Part Number	Description	Quantity
NP1256L	ALUM, UL CSA CC, W/O THERMAL, LASER	1.000 EA
PA1000	PACKING GROUP 3500 SHORT	1.000 EA

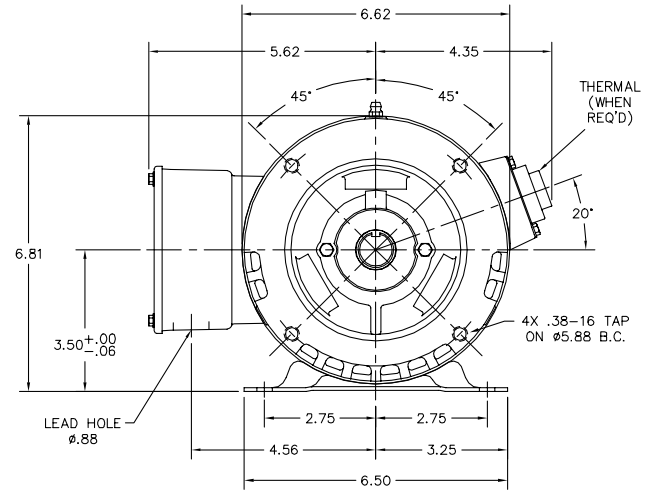
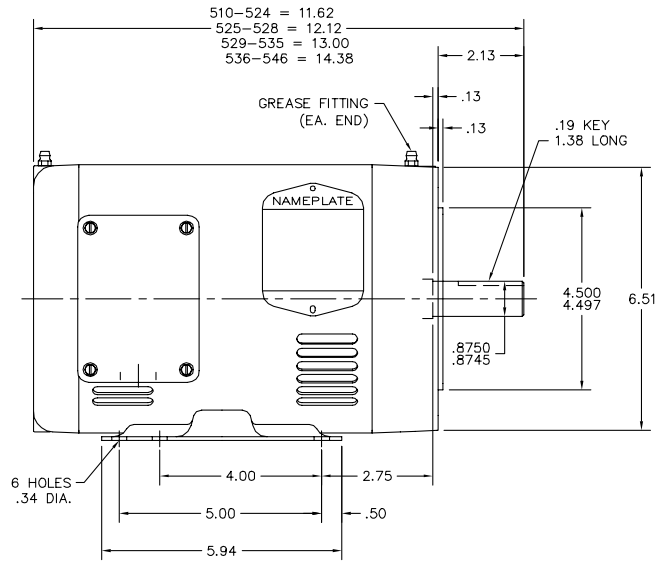
Performance Data at 460V, 60Hz, 1.0HP (Typical performance - Not guaranteed values)

General Characteristics							
Full Load Torque:	2.99 LB-FT			Start Configuration:	DOL		
No-Load Current:	1.04 Amps			Break-Down Torque:	17.8 LB-FT		
Line-line Res. @ 25°C.:	16.3 Ohms A Ph / 0.0 Ohms B Ph			Pull-Up Torque:	8.32 LB-FT		
Temp. Rise @ Rated Load:	25 C			Locked-Rotor Torque:	10.4 LB-FT		
Temp. Rise @ S.F. Load:	31 C			Starting Current:	13.2 Amps		
Load Characteristics							
% of Rated Load	25	50	75	100	125	150	S.F.
Power Factor:	32.0	49.0	63.0	72.0	78.0	83.0	76.0
Efficiency:	66.3	77.6	81.8	82.9	83.2	82.3	83.1
Speed:	1789.0	1777.0	1765.0	1750.0	1738.0	1719.0	1743.0
Line Amperes:	1.11	1.21	1.36	1.57	1.78	2.07	1.7

Performance Graph at 460V, 60Hz, 1.0HP Typical performance - Not guaranteed values



35LYB102



CUSTOMER IS RESPONSIBLE FOR DETERMINING THAT BALDOR'S PRODUCT WILL PERFORM SUITABLY IN THE INTENDED APPLICATION.

REV. DESC: UPDATE KOLD GRAPHICS		
REV. LTR: F	VERSION: 03	TDR: 000000486011
FILE: \AAA\00024\462	REVISED: 15:09:54 12/30/2008	BY: ENGHEBO
MTL: -		

BALDOR • DODGE • RELIANCE

STD HOR 143-5TC OPSB M

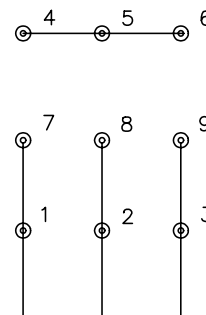
SH 1 of 1

35LYB102

CD0005

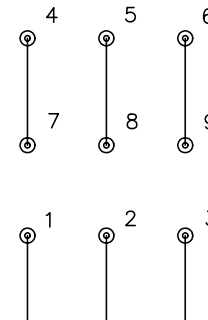


LOW VOLTAGE
(2Y)



LINE

HIGH VOLTAGE
(1Y)



LINE

NOTES:

1. INTERCHANGE ANY TWO LINE LEADS TO REVERSE ROTATION.
2. OPTIONAL THERMOSTATS ARE PROVIDED WHEN SPECIFIED.
3. ACTUAL NUMBER OF INTERNAL PARALLEL CIRCUITS MAY BE A MULTIPLE OF THOSE SHOWN ABOVE.
4. LEAD COLORS ARE OPTIONAL. LEADS MUST ALWAYS BE NUMBERED AS SHOWN.

REV. DESC: REVISE TO SHOW OPTIONAL COLORS			
REV. LTR: E	BY: JLP	REVISED: 01/19/99 10:15	TDR: 0171435
900000		FILE: AAA00005140	MDL: -
		MTL: -	

BALDOR ELECTRIC Co.

3PH, DV, 9 LEADS

CD0005