

# **BALDOR® • RELIANCE**

**Product Information Packet**

**ELECTRIC MOTOR WHOLESAL.COM**

**CM3158T**

**3HP,3450RPM,3PH,60HZ,145TC,3528M,OPSB,F1**

Part Detail							
Revision:	G	Status:	INA/A	Change #:		Proprietary:	No
Type:	AC	Prod. Type:	3528M	Elec. Spec:	35WGR986	CD Diagram:	
Enclosure:	OPSB	Mfg Plant:		Mech. Spec:	35T865	Layout:	
Frame:	145TC	Mounting:	F1	Poles:	02	Created Date:	06-22-2007
Base:	RG	Rotation:	R	Insulation:	B	Eff. Date:	02-03-2010
Leads:	9#18	Literature:		Elec. Diagram:		Replaced By:	

**Nameplate NP1256L**

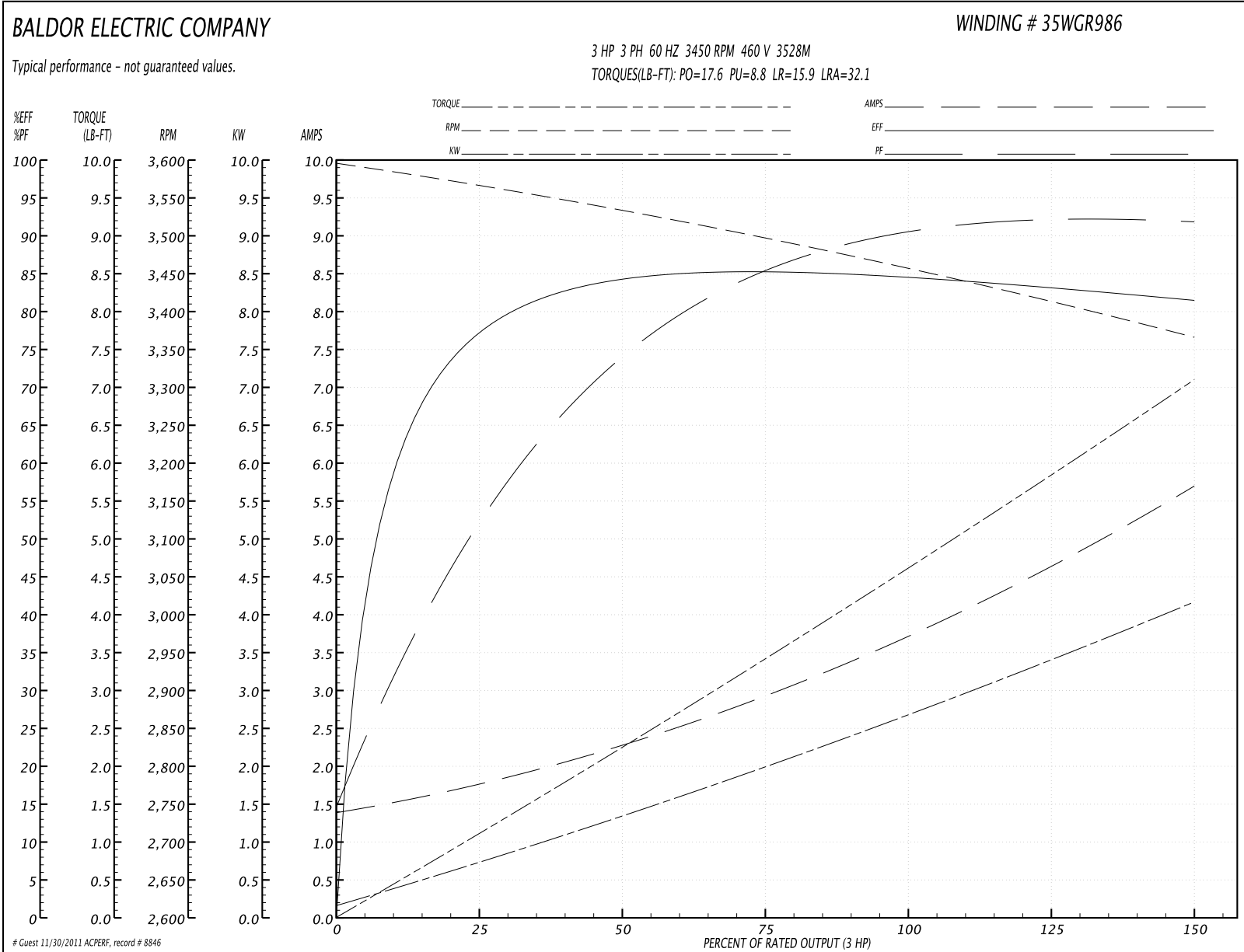
CAT.NO.	CM3158T						
SPEC.	35T865R986H1						
HP	3						
VOLTS	208-230/460						
AMP	8.2-7.4/3.7						
RPM	3450						
FRAME	145TC	HZ	60	PH	3		
SER.F.	1.15	CODE	K	DES	B	CLASS	B
NEMA-NOM-EFF	84	PF	89				
RATING	40C AMB-CONT						
CC	010A	USABLE AT 208V	8.2				
DE	6205	ODE	6203				
ENCL	OPSB	SN					

Parts List		
Part Number	Description	Quantity
SA107728	SA 35T865R986H1	1.000 EA
RA099330	RA 35T865R986H1	1.000 EA
S/P101-000-000	EPACT PROCEDURES-FS PLANT-POLYREX EM, NO	1.000 EA
NS2512A01	INSULATOR, CONDUIT BOX X	1.000 EA
35CB3007	35 CB CASTING W/.88 DIA. LEAD HOLE	1.000 EA
51XB1016A07	10-16 X 7/16 HXWSSLD SERTYB	2.000 EA
11XW1032G06	10-32 X .38, TAPTITE II, HEX WSHR SLTD U	1.000 EA
35EP3201A01	STD FR ENDPLATE-OPEN-203 BRG W/GREASER	1.000 EA
HW4500A01	1641B(ALEMITE)400 UNIV, GREASE FITT	1.000 EA
HW5100A03SP	WAVY WASHER (W1543-017)	1.000 EA
35EP3400A14	SPL FACE MTD END PLATE - OPEN-143-5TC-05	1.000 EA
HW4500A01	1641B(ALEMITE)400 UNIV, GREASE FITT	1.000 EA
51XN1032A20	10-32 X 1 1/4 HX WS SL SR	2.000 EA
35CB4521	35 LIPPED CB LID (GALV & PHOSPH)	1.000 EA
51XW0832A07	8-32 X .44, TAPTITE II, HEX WSHR SLTD SE	4.000 EA
HW2501D13SP	KEY, 3/16 SQ X 1.375	1.000 EA
HA7000A01	KEY RETAINER 7/8" DIA SHAFT	1.000 EA
10XF0440S02	04-40 X 1/8 TYPE F HEX HD STAINLESS STIC	2.000 EA
MJ1000A75	GREASE, POLYREX EM EXXON	0.050 LB
MG1000G27	PAINT- S9282E CHARCOAL GREY	0.017 GA
35AD2005A01	BAFFLE PLATE,MOD 35-SLTD BAND MTRS TDR	2.000 EA
HA3100A15	THRUBOLT 10-32 X 8.375	4.000 EA
LB1125C04	STD-E (STOCK CTN LABEL STD-E WITH FLAG)	1.000 EA
LC0005E01	CONN.DIA./WARNING LABEL (LC0005/LB1119)	1.000 EA

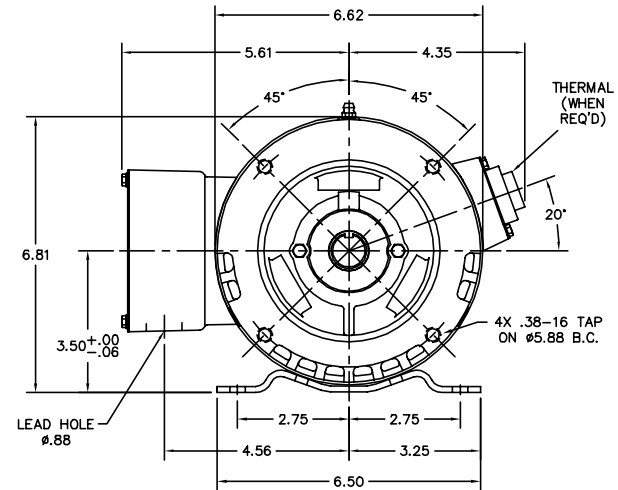
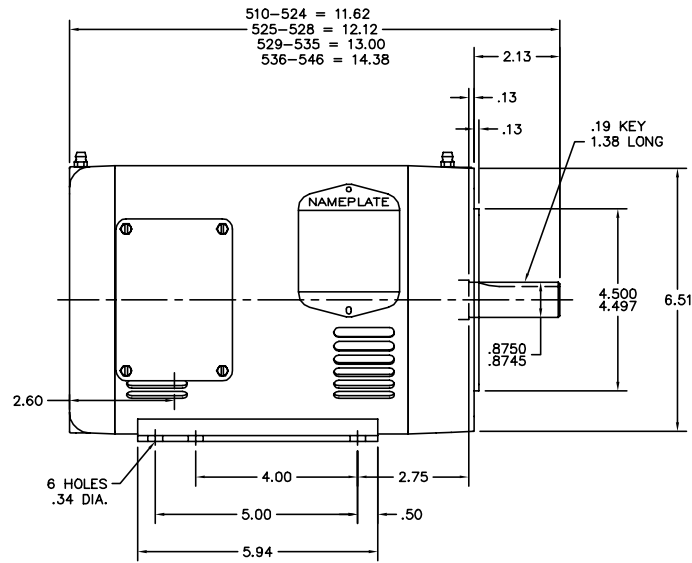
Parts List (continued)		
Part Number	Description	Quantity
NP1256L	ALUM, UL CSA CC, W/O THERMAL, LASER	1.000 EA
PA1000	PACKING GROUP 3500 SHORT	1.000 EA

Performance Data at 460V, 60Hz, 3.0HP (Typical performance - Not guaranteed values)							
General Characteristics							
Full Load Torque:	4.74 LB-FT			Start Configuration:	DOL		
No-Load Current:	1.41 Amps			Break-Down Torque:	17.6 LB-FT		
Line-line Res. @ 25°C.:	5.49 Ohms A Ph / 0.0 Ohms B Ph			Pull-Up Torque:	8.8 LB-FT		
Temp. Rise @ Rated Load:	39 C			Locked-Rotor Torque:	15.9 LB-FT		
Temp. Rise @ S.F. Load:	47 C			Starting Current:	32.1 Amps		
Load Characteristics							
% of Rated Load	25	50	75	100	125	150	S.F.
Power Factor:	59.0	78.0	86.0	90.0	92.0	93.0	91.0
Efficiency:	77.9	84.0	85.1	84.6	83.3	81.3	83.8
Speed:	3562.0	3528.0	3494.0	3454.0	3412.0	3364.0	3429.0
Line Amperes:	1.76	2.32	3.02	3.84	4.7	5.69	4.36

Performance Graph at 460V, 60Hz, 3.0HP Typical performance - Not guaranteed values



35LYT865



CUSTOMER IS RESPONSIBLE FOR DETERMINING THAT MOTOR PERFORMANCE IS SUITABLE IN THE APPLICATION.

REV. DESC: NEW				TDR: 315252
REV. LTR: -	BY: KCT	REVISED: 10:14:19 10/27/2003		
FILE: AAA00110452				REF: 35LYT865
MTL: -				

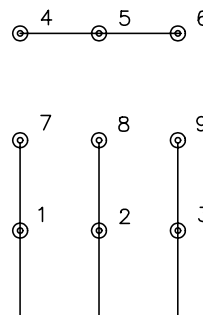
**BALDOR ELECTRIC Co.**  
 HOR 143-5TC OPSB M 2 POLE "W" BASE (35BA4009)

35LYT865

CD0005

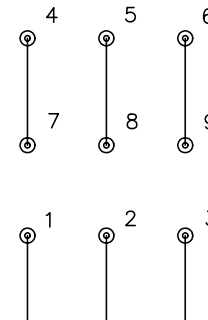


LOW VOLTAGE  
(2Y)



LINE

HIGH VOLTAGE  
(1Y)



LINE

NOTES:

1. INTERCHANGE ANY TWO LINE LEADS TO REVERSE ROTATION.
2. OPTIONAL THERMOSTATS ARE PROVIDED WHEN SPECIFIED.
3. ACTUAL NUMBER OF INTERNAL PARALLEL CIRCUITS MAY BE A MULTIPLE OF THOSE SHOWN ABOVE.
4. LEAD COLORS ARE OPTIONAL. LEADS MUST ALWAYS BE NUMBERED AS SHOWN.

REV. DESC: REVISE TO SHOW OPTIONAL COLORS			
REV. LTR: E	BY: JLP	REVISED: 01/19/99 10:15	TDR: 0171435
900000		FILE: AAA00005140	MDL: -
		MTL: -	

**BALDOR ELECTRIC Co.**

3PH, DV, 9 LEADS

CD0005