

BALDOR® • RELIANCE

Product Information Packet

ELECTRIC MOTOR WHOLESAL.COM

CM3212T

5HP,3450RPM,3PH,60HZ,182TC,3535M,OPSB,F1

| Part Detail | | | | | | | |
|-------------|-------|-------------|-------|----------------|----------|---------------|------------|
| Revision: | T | Status: | INA/A | Change #: | | Proprietary: | No |
| Type: | AC | Prod. Type: | 3535M | Elec. Spec: | 35WGT481 | CD Diagram: | |
| Enclosure: | OPSB | Mfg Plant: | | Mech. Spec: | 35N884 | Layout: | |
| Frame: | 182TC | Mounting: | F1 | Poles: | 02 | Created Date: | 06-22-2007 |
| Base: | RG | Rotation: | R | Insulation: | B | Eff. Date: | 02-03-2010 |
| Leads: | 9#18 | Literature: | | Elec. Diagram: | | Replaced By: | |

Nameplate NP1256L

| | | | | | | | |
|--------------|--------------|----------------|------|-----|---|-------|---|
| CAT.NO. | CM3212T | | | | | | |
| SPEC. | 35N884T481H1 | | | | | | |
| HP | 5 | | | | | | |
| VOLTS | 208-230/460 | | | | | | |
| AMP | 13-12.2/6.1 | | | | | | |
| RPM | 3450 | | | | | | |
| FRAME | 182TC | HZ | 60 | PH | 3 | | |
| SER.F. | 1.15 | CODE | J | DES | B | CLASS | B |
| NEMA-NOM-EFF | 85.5 | PF | 89 | | | | |
| RATING | 40C AMB-CONT | | | | | | |
| CC | 010A | USABLE AT 208V | 13 | | | | |
| DE | 6206 | ODE | 6203 | | | | |
| ENCL | OPSB | SN | | | | | |
| | | | | | | | |

| Parts List | | |
|----------------|--|----------|
| Part Number | Description | Quantity |
| SA029146 | SA 35N884T481H1 | 1.000 EA |
| RA025191 | RA 35N884T481H1 | 1.000 EA |
| S/P101-000-000 | EPACT PROCEDURES-FS PLANT-POLYREX EM, NO | 1.000 EA |
| NS2512A01 | INSULATOR, CONDUIT BOX X | 1.000 EA |
| 35CB3009 | 35 CB CASTING W/1.09 DIA. LEAD HOLE @ 6: | 1.000 EA |
| 51XB1016A07 | 10-16 X 7/16 HXWSSLD SERTYB | 2.000 EA |
| 11XW1032G06 | 10-32 X .38, TAPTITE II, HEX WSHR SLTD U | 1.000 EA |
| HW3001B01 | 003SS CUP WASHER, FOR #8 SCREW | 1.000 EA |
| 35EP3201A01 | STD FR ENDPLATE-OPEN-203 BRG W/GREASER | 1.000 EA |
| HW4500A01 | 1641B(ALEMITE)400 UNIV, GREASE FITT | 1.000 EA |
| HW5100A03SP | WAVY WASHER (W1543-017) | 1.000 EA |
| 35EP1409A04 | PUEP OPEN FACE MTD 206 BRG,W/O BAFFLE,W/ | 1.000 EA |
| HW4500A01 | 1641B(ALEMITE)400 UNIV, GREASE FITT | 1.000 EA |
| 10XN2520A24 | 1/4-20X 1 1/2 HEX HD X | 4.000 EA |
| HW1001A25 | LOCKWASHER 1/4, ZINC PLT .493 OD, .255 I | 4.000 EA |
| XY1032A02 | 10-32 HEX NUT DIRECTIONAL SERRATION | 4.000 EA |
| 35CB4521 | 35 LIPPED CB LID (GALV & PHOSPH) | 1.000 EA |
| 51XW0832A07 | 8-32 X .44, TAPTITE II, HEX WSHR SLTD SE | 4.000 EA |
| HW2501E16 | KEY, 1/4 SQ X 1.750 | 1.000 EA |
| HA7000A02 | KEY RETAINER RING, 1 1/8 DIA, 1 3/8 DIA | 1.000 EA |
| 10XF0440S02 | 04-40 X 1/8 TYPE F HEX HD STAINLESS STIC | 2.000 EA |
| MJ1000A75 | GREASE, POLYREX EM EXXON | 0.050 LB |
| MG1000G27 | PAINT- S9282E CHARCOAL GREY | 0.017 GA |
| 35AD2005A01 | BAFFLE PLATE,MOD 35-SLTD BAND MTRS TDR | 2.000 EA |

| Parts List (continued) | | |
|------------------------|---|----------|
| Part Number | Description | Quantity |
| HA3100A18 | THRUBOLT 10-32 X 9.250 | 4.000 EA |
| LB1125C04 | STD-E (STOCK CTN LABEL STD-E WITH FLAG) | 1.000 EA |
| LC0005E01 | CONN.DIA./WARNING LABEL (LC0005/LB1119) | 1.000 EA |
| NP1256L | ALUM, UL CSA CC, W/O THERMAL, LASER | 1.000 EA |
| 36PA1000 | PACK GROUP W/LB5001 | 1.000 EA |

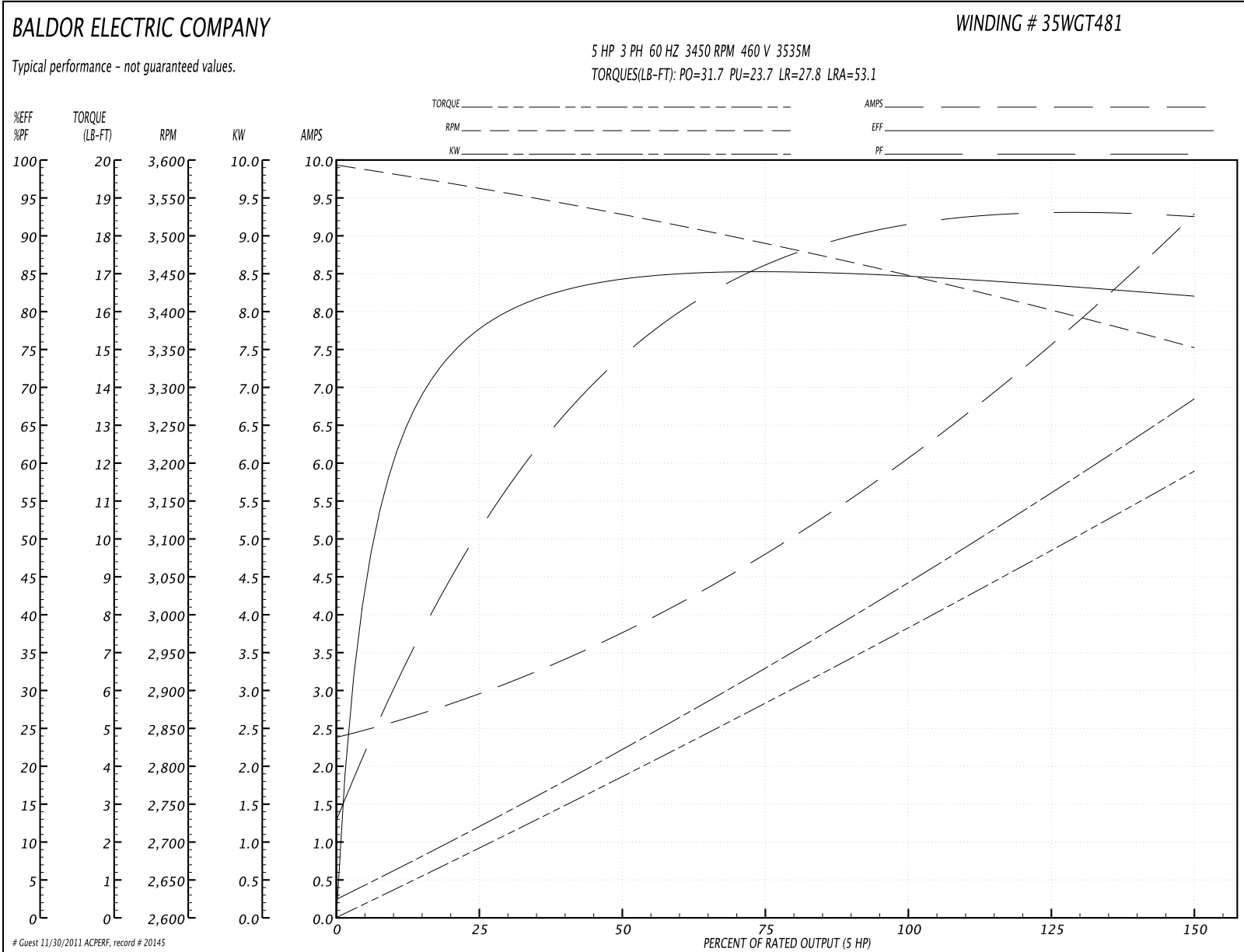
Performance Data at 460V, 60Hz, 5.0HP (Typical performance - Not guaranteed values)
General Characteristics

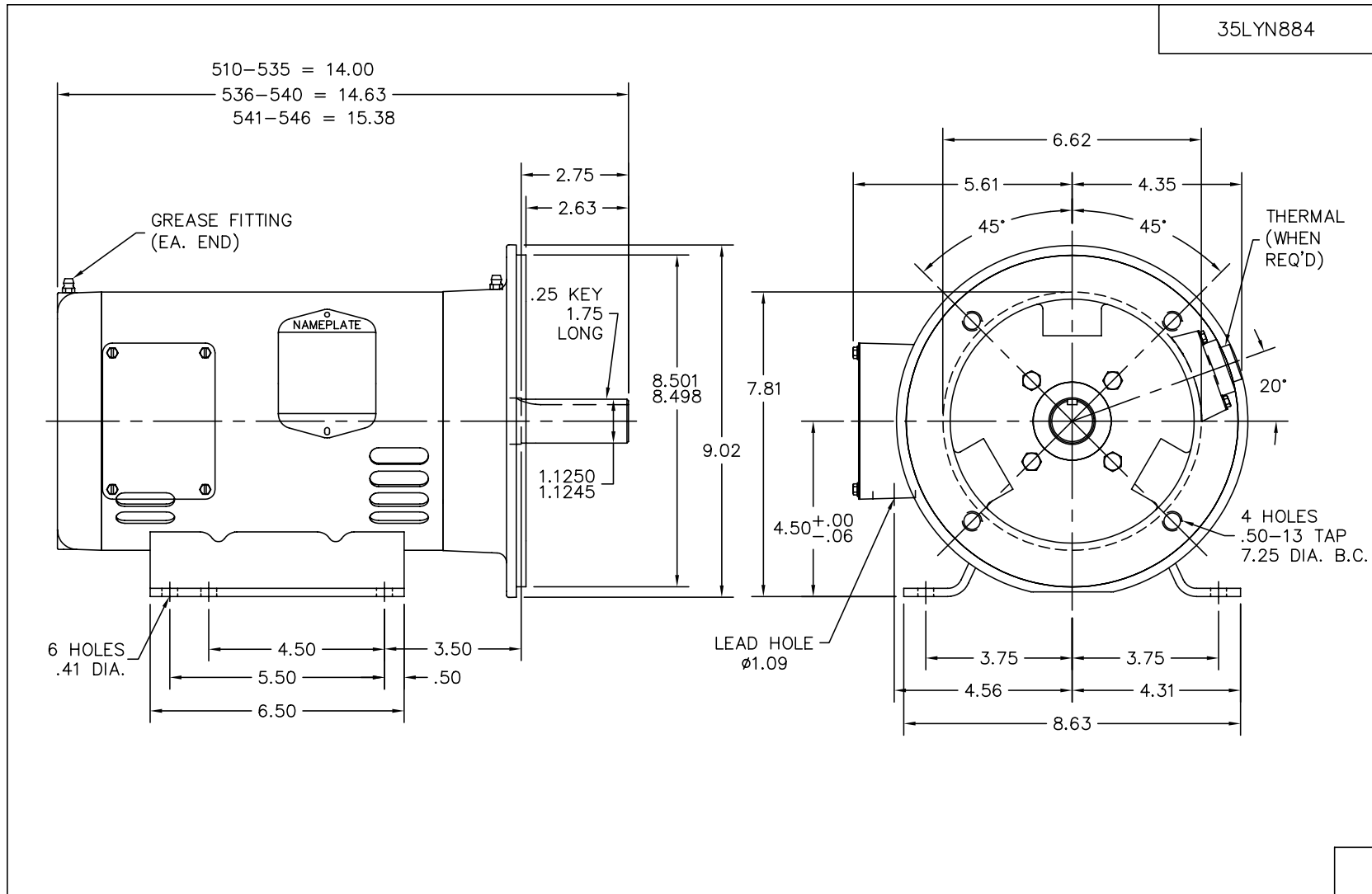
| | | | |
|---------------------------------|--------------------------------|-----------------------------|------------|
| Full Load Torque: | 7.71 LB-FT | Start Configuration: | DOL |
| No-Load Current: | 2.47 Amps | Break-Down Torque: | 31.7 LB-FT |
| Line-line Res. @ 25°C.: | 2.95 Ohms A Ph / 0.0 Ohms B Ph | Pull-Up Torque: | 23.7 LB-FT |
| Temp. Rise @ Rated Load: | 55 C | Locked-Rotor Torque: | 27.8 LB-FT |
| Temp. Rise @ S.F. Load: | 68 C | Starting Current: | 53.1 Amps |

Load Characteristics

| % of Rated Load | 25 | 50 | 75 | 100 | 125 | 150 | S.F. |
|------------------------|-----------|-----------|-----------|------------|------------|------------|-------------|
| Power Factor: | 55.0 | 77.0 | 85.0 | 91.0 | 93.0 | 93.0 | 92.0 |
| Efficiency: | 80.4 | 86.0 | 86.7 | 86.1 | 84.6 | 82.6 | 85.2 |
| Speed: | 3561.0 | 3526.0 | 3488.0 | 3448.0 | 3401.0 | 3352.0 | 3420.0 |
| Line Amperes: | 2.86 | 3.73 | 4.93 | 6.15 | 7.62 | 9.24 | 7.03 |

Performance Graph at 460V, 60Hz, 5.0HP Typical performance - Not guaranteed values



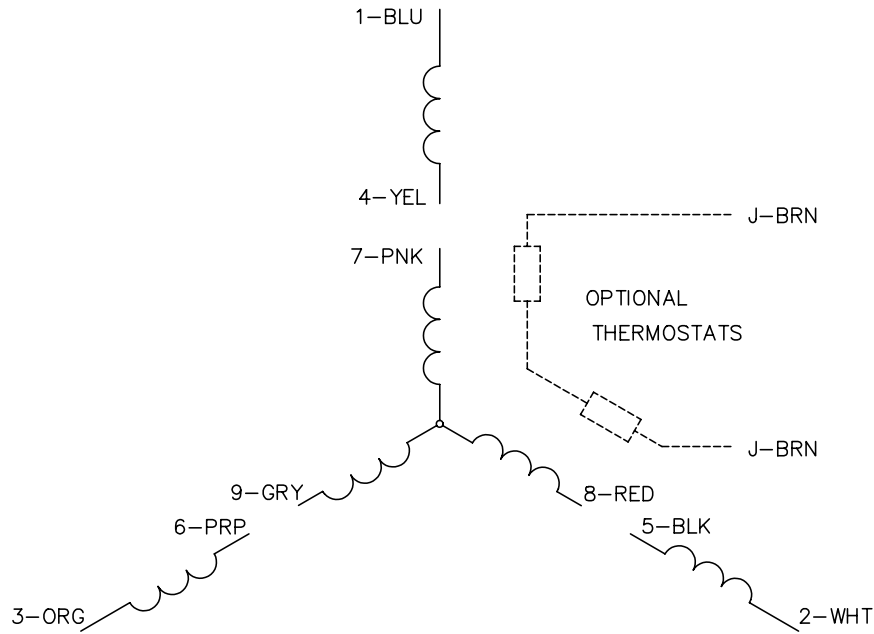


35LYN884

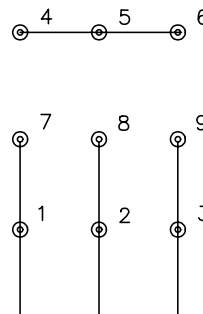
| | | | | | | | | | | | |
|-------------------|--|------------|--|------------------------|--|---|--|----------------------------|--|------|--|
| CUST. NAME | | CUST. P.O. | | CERTIFIED BY | | MODEL | | INSUL | | AMB | |
| H.P. | | MTG | | TYPE | | R.P.M. | | VOLTS | | ENCL | |
| PHASE | | FREQ | | FRAME | | REV. DESC: CHANGED TO NEW NEC CONDUIT BOX | | | | | |
| REV. LTR: B | | BY: SSS | | REVISED: 04/10/99 2:06 | | TDR: 0171816 | | BALDOR ELECTRIC Co. | | | |
| FILE: AAA00045864 | | MDL: - | | HOR 182-4TC OPSB 35M | | | | | | | |
| MTL: - | | | | | | | | | | | |

35LYN884

CD0005

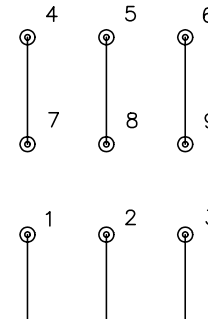


LOW VOLTAGE
(2Y)



LINE

HIGH VOLTAGE
(1Y)



LINE

NOTES:

1. INTERCHANGE ANY TWO LINE LEADS TO REVERSE ROTATION.
2. OPTIONAL THERMOSTATS ARE PROVIDED WHEN SPECIFIED.
3. ACTUAL NUMBER OF INTERNAL PARALLEL CIRCUITS MAY BE A MULTIPLE OF THOSE SHOWN ABOVE.
4. LEAD COLORS ARE OPTIONAL. LEADS MUST ALWAYS BE NUMBERED AS SHOWN.

| | | | |
|---|---------|-------------------------|--------------|
| REV. DESC: REVISE TO SHOW OPTIONAL COLORS | | | |
| REV. LTR: E | BY: JLP | REVISED: 01/19/99 10:15 | TDR: 0171435 |
| 900000 | | FILE: AAA00005140 | MDL: - |
| | | MTL: - | |

BALDOR ELECTRIC Co.

3PH, DV, 9 LEADS

CD0005