

BALDOR® • RELIANCE

Product Information Packet

ELECTRIC MOTOR WHOLESAL.COM

CM3219T

7.5HP,3450RPM,3PH,60HZ,182,TC,3627M,OPSB

Part Detail							
Revision:	C	Status:	INA/A	Change #:		Proprietary:	No
Type:	AC	Prod. Type:	3627M	Elec. Spec:	36WGT849	CD Diagram:	
Enclosure:	OPSB	Mfg Plant:		Mech. Spec:	36B102	Layout:	
Frame:	184TC	Mounting:	F1	Poles:	02	Created Date:	10-31-2005
Base:	RG	Rotation:	R	Insulation:	B	Eff. Date:	02-19-2010
Leads:	9#16	Literature:		Elec. Diagram:		Replaced By:	

Nameplate NP1256L

CAT.NO.	CM3219T						
SPEC.	36B102T849H1						
HP	7.5						
VOLTS	208-230/460						
AMP	18.8-17.4/8.7						
RPM	3450						
FRAME	184TC	HZ	60	PH	3		
SER.F.	1.15	CODE	J	DES	B	CLASS	B
NEMA-NOM-EFF	87.5	PF	92				
RATING	40C AMB-CONT						
CC	010A	USABLE AT 208V					
DE	6206	ODE	6205				
ENCL	OPSB	SN					

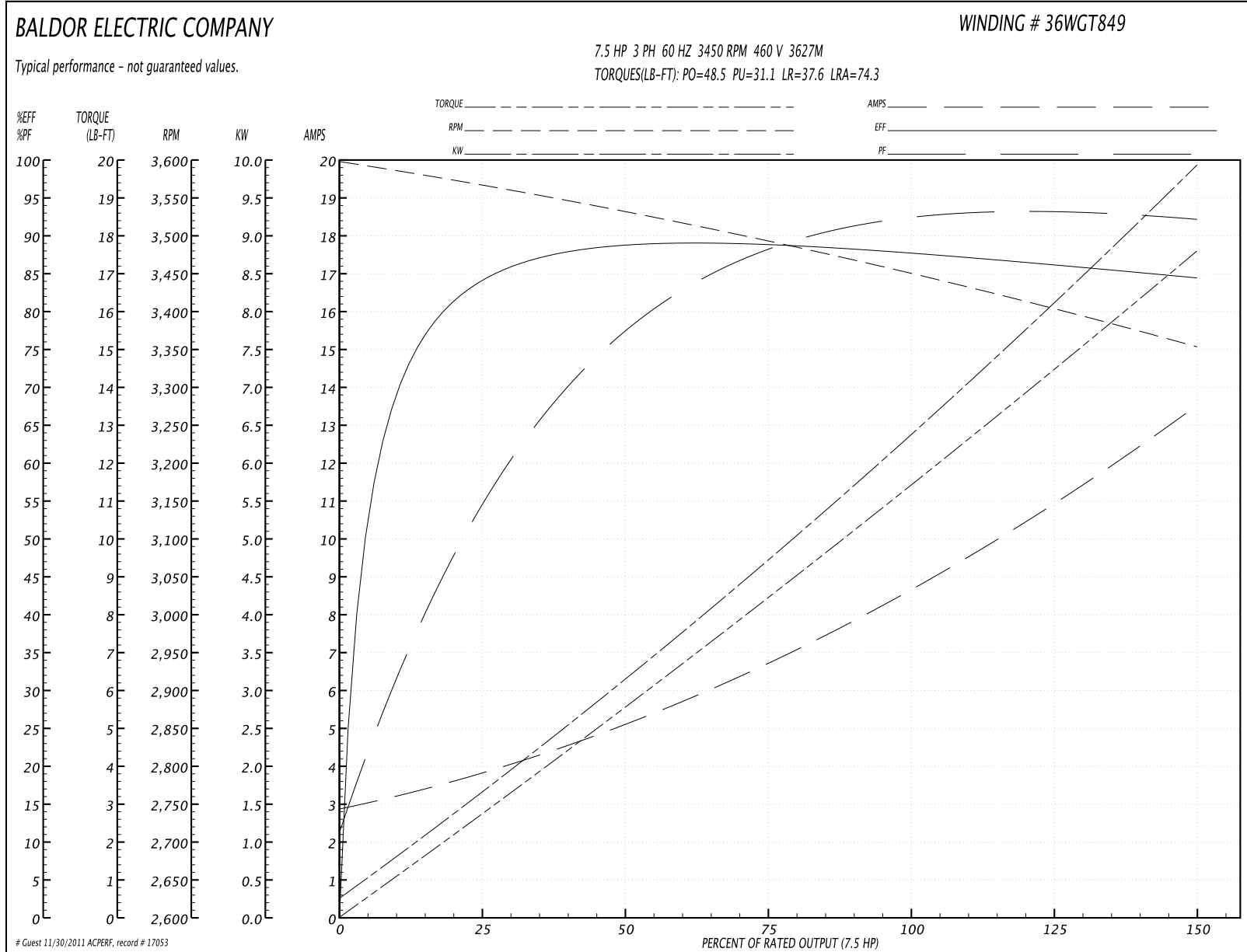
Parts List		
Part Number	Description	Quantity
SA135170	SA 36B102T849H1	1.000 EA
RA124937	RA 36B102T849H1	1.000 EA
S/P101-000-000	EPACT PROCEDURES-FS PLANT-POLYREX EM, NO	1.000 EA
36CB3004	36 CB CASTING W/1.09 DIA LEAD HOLE @ 6:0	1.000 EA
51XB1016A08	10-16X 1/2HXWSSLD SERTYB	2.000 EA
11XW1032G06	10-32 X .38, TAPTITE II, HEX WSHR SLTD U	1.000 EA
HW3001B01	003SS CUP WASHER, FOR #8 SCREW	1.000 EA
36EP3200A01SP	FR ENDPLATE, MACH	1.000 EA
HW4500A01	1641B(ALEMITE)400 UNIV, GREASE FITT	1.000 EA
HW5100A05	WVY WSHR F/205 & 304 BRGS	1.000 EA
36EP3403A02	PU ENDPLATE, MACH	1.000 EA
HW4500A01	1641B(ALEMITE)400 UNIV, GREASE FITT	1.000 EA
10XN2520A28	1/4-20X 1 3/4 HEX HD	4.000 EA
HW1001A25	LOCKWASHER 1/4, ZINC PLT .493 OD, .255 I	4.000 EA
36CB4516	36 LIPPED CB LID	1.000 EA
51XW0832A07	8-32 X .44, TAPTITE II, HEX WSHR SLTD SE	4.000 EA
HW2501E16	KEY, 1/4 SQ X 1.750	1.000 EA
HA7000A02	KEY RETAINER RING, 1 1/8 DIA, 1 3/8 DIA	1.000 EA
85XU0407S04	4X1/4 U DRIVE PIN STAINLESS	2.000 EA
MJ1000A75	GREASE, POLYREX EM EXXON	0.050 LB
MG1000G27	PAINT- S9282E CHARCOAL GREY	0.022 GA
36AD2004A01	BAFFLE PLATE,MOD 36-SLTD BAND MTRS DELTA	2.000 EA
HA3101A25	THRUBOLT 1/4-20 X 11.000 OHIO ROD	4.000 EA
LB1125C04	STD-E (STOCK CTN LABEL STD-E WITH FLAG)	1.000 EA

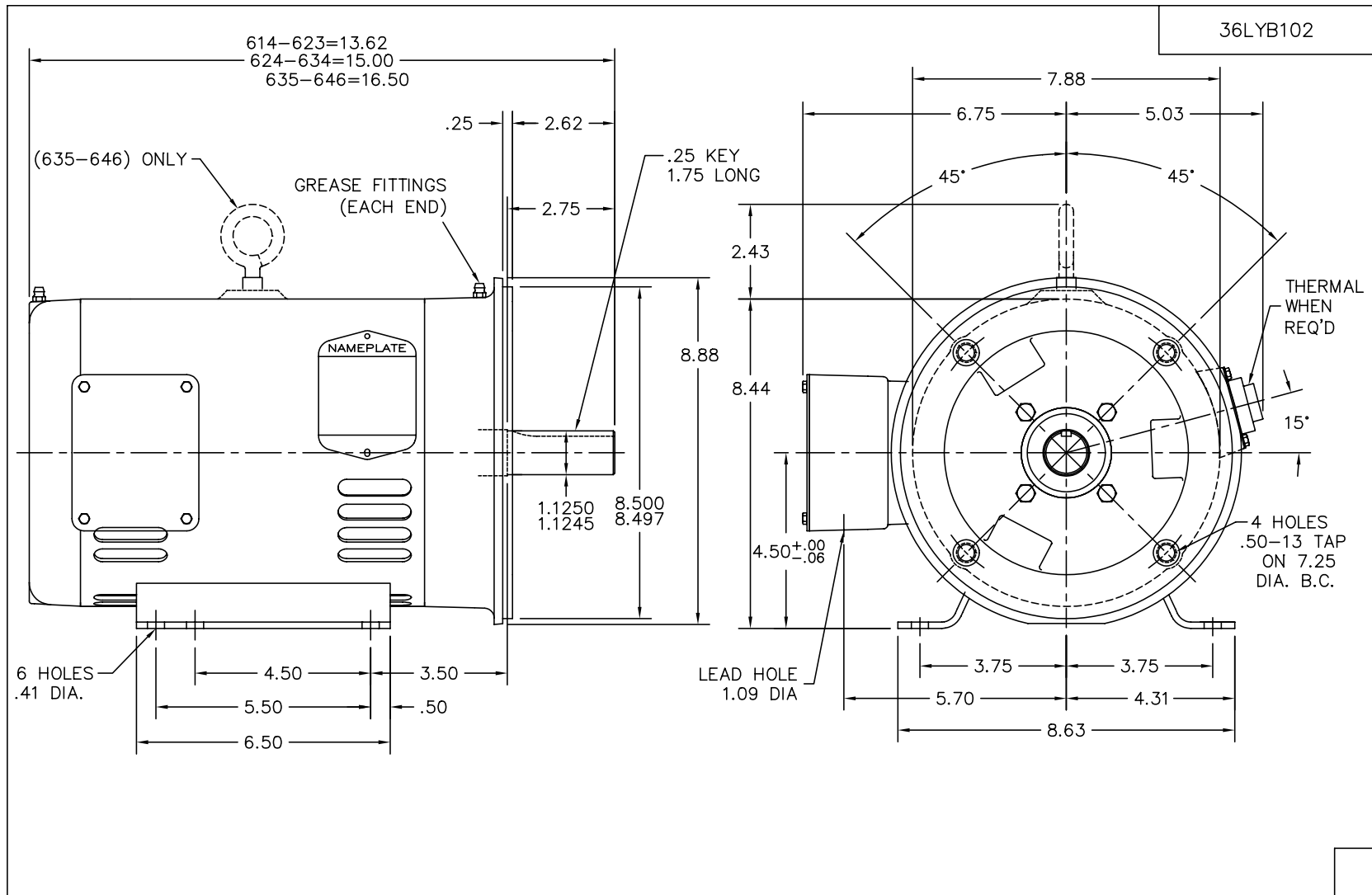
Parts List (continued)		
Part Number	Description	Quantity
LC0005E01	CONN.DIA./WARNING LABEL (LC0005/LB1119)	1.000 EA
NP1256L	ALUM, UL CSA CC, W/O THERMAL, LASER	1.000 EA
36PA1000	PACK GROUP W/LB5001	1.000 EA

Performance Data at 460V, 60Hz, 7.5HP (Typical performance - Not guaranteed values)

General Characteristics							
Full Load Torque:	11.41 LB-FT			Start Configuration:	DOL		
No-Load Current:	2.91 Amps			Break-Down Torque:	48.5 LB-FT		
Line-line Res. @ 25°C.:	1.9 Ohms A Ph / 0.0 Ohms B Ph			Pull-Up Torque:	31.1 LB-FT		
Temp. Rise @ Rated Load:	54 C			Locked-Rotor Torque:	37.6 LB-FT		
Temp. Rise @ S.F. Load:	72 C			Starting Current:	74.3 Amps		
Load Characteristics							
% of Rated Load	25	50	75	100	125	150	S.F.
Power Factor:	56.0	78.0	89.0	92.0	93.0	93.0	93.0
Efficiency:	83.7	88.3	88.8	87.9	86.5	84.3	87.1
Speed:	3566.0	3531.0	3493.0	3451.0	3406.0	3352.0	3424.0
Line Amperes:	3.77	5.1	6.7	8.7	10.95	13.5	10.0

Performance Graph at 460V, 60Hz, 7.5HP Typical performance - Not guaranteed values





CUST. NAME		CUST. P.O.		CERTIFIED BY		MODEL		INSUL		AMB	
H.P.		MTG		TYPE		R.P.M.		VOLTS		ENCL	
PHASE		FREQ		FRAME							
REV. DESC: OPSB WAS OPEN IN THE DESC.											
REV. LTR: D		BY: SSS		REVISED: 07/28/99 2:06		TDR: 0187013					
36LYB102		FILE: AAA00048653		MDL: -							
MTL: -		BALDOR ELECTRIC Co.									
		HORZ 182-4TC OPSB 36M									

36LYB102

CD0005



LOW VOLTAGE
(2Y)



LINE

HIGH VOLTAGE
(1Y)



LINE

NOTES:

1. INTERCHANGE ANY TWO LINE LEADS TO REVERSE ROTATION.
2. OPTIONAL THERMOSTATS ARE PROVIDED WHEN SPECIFIED.
3. ACTUAL NUMBER OF INTERNAL PARALLEL CIRCUITS MAY BE A MULTIPLE OF THOSE SHOWN ABOVE.
4. LEAD COLORS ARE OPTIONAL. LEADS MUST ALWAYS BE NUMBERED AS SHOWN.

REV. DESC: REVISE TO SHOW OPTIONAL COLORS			
REV. LTR: E	BY: JLP	REVISED: 01/19/99 10:15	TDR: 0171435
900000		FILE: AAA00005140	MDL: -
		MTL: -	

BALDOR ELECTRIC Co.

3PH, DV, 9 LEADS

CD0005