

BALDOR® • RELIANCE

Product Information Packet

ELECTRIC MOTOR WHOLESAL.COM

CM3311T

7.5HP,1750RPM,3PH,60HZ,213,TC,3643M,OPSB

Part Detail							
Revision:	A	Status:	INA/A	Change #:		Proprietary:	No
Type:	AC	Prod. Type:	3643M	Elec. Spec:	36WGT848	CD Diagram:	
Enclosure:	OPSB	Mfg Plant:		Mech. Spec:	36K994	Layout:	
Frame:	213TC	Mounting:	F1	Poles:	04	Created Date:	11-01-2005
Base:	RG	Rotation:	R	Insulation:	B	Eff. Date:	03-07-2007
Leads:	9#16	Literature:		Elec. Diagram:		Replaced By:	

Nameplate NP1256L

CAT.NO.	CM3311T						
SPEC.	36K994T848H1						
HP	7.5						
VOLTS	208-230/460						
AMP	21.7-20/10						
RPM	1750						
FRAME	213TC	HZ	60	PH	3		
SER.F.	1.15	CODE	J	DES	B	CLASS	B
NEMA-NOM-EFF	88.5	PF	79				
RATING	40C AMB-CONT						
CC	010A	USABLE AT 208V					
DE	6207	ODE	6205				
ENCL	OPSB	SN					

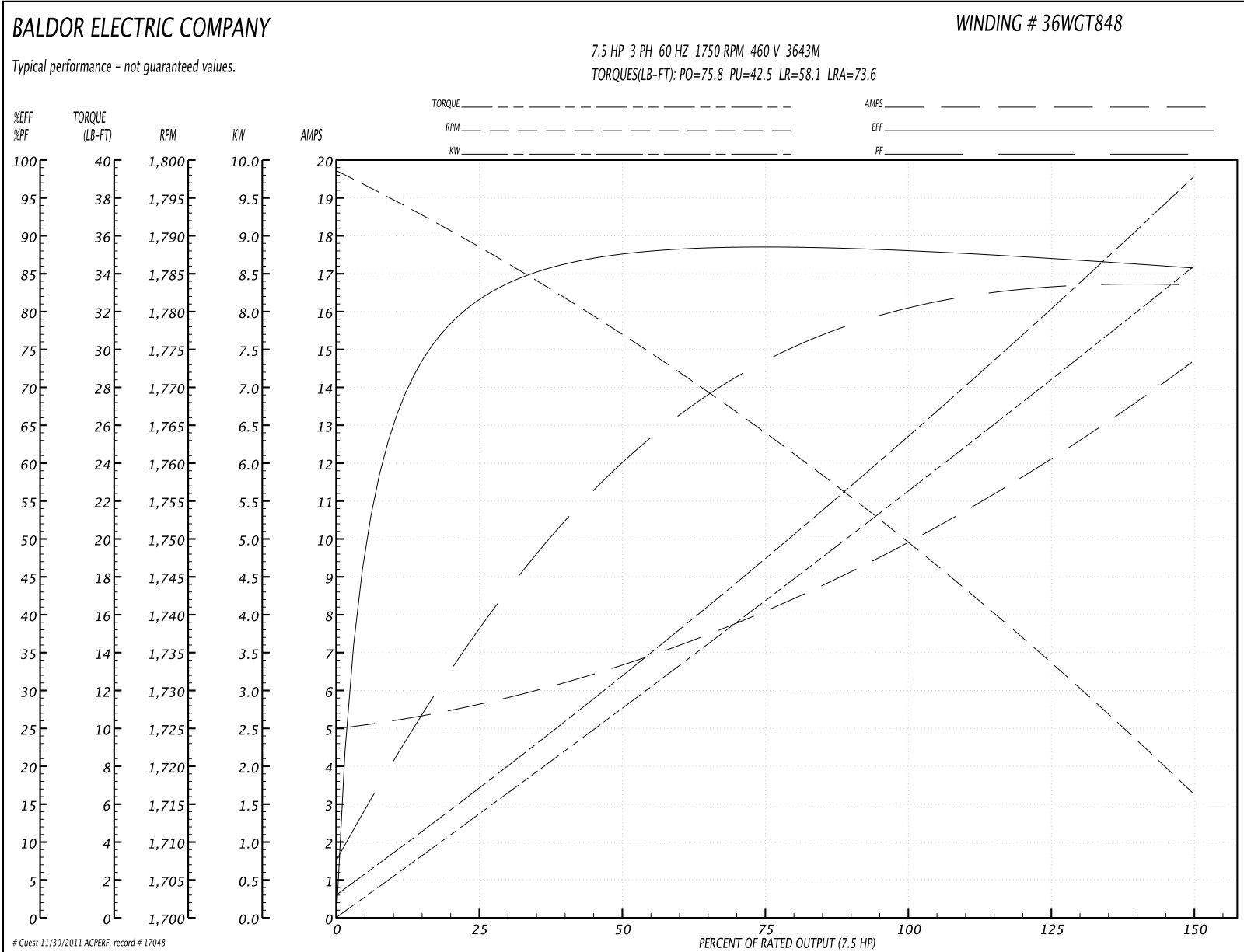
Parts List		
Part Number	Description	Quantity
SA135189	SA 36K994T848H1	1.000 EA
RA124956	RA 36K994T848H1	1.000 EA
S/P101-000-000	EPACT PROCEDURES-FS PLANT-POLYREX EM, NO	1.000 EA
HW3200A01	3/8-16X3/4 I-BLT WELDED F/S	1.000 EA
36CB3004	36 CB CASTING W/1.09 DIA LEAD HOLE @ 6:0	1.000 EA
51XB1016A07	10-16 X 7/16 HXWSSLD SERTYB	2.000 EA
11XW1032G06	10-32 X .38, TAPTITE II, HEX WSHR SLTD U	1.000 EA
36EP3200A01SP	FR ENDPLATE, MACH	1.000 EA
HW4500A01	1641B(ALEMITE)400 UNIV, GREASE FITT	1.000 EA
HW5100A05	WVY WSHR F/205 & 304 BRGS	1.000 EA
36EP1206A21	PU EP, OPEN W/GRSR, TIGHT SLV, 207 BRG, LESS	1.000 EA
HW4500A01	1641B(ALEMITE)400 UNIV, GREASE FITT	1.000 EA
10XN2520A26	1/4-20X 1 5/8 HEX HD	4.000 EA
HW1001A25	LOCKWASHER 1/4, ZINC PLT .493 OD, .255 I	4.000 EA
36CB4516	36 LIPPED CB LID	1.000 EA
51XW0832A07	8-32 X .44, TAPTITE II, HEX WSHR SLTD SE	4.000 EA
HA3101A28	THRUBOLT 1/4-20 X 12.500 OHIO ROD	4.000 EA
HW2501F21	KEY, 5/16 SQ X 2.375	1.000 EA
HA7000A02	KEY RETAINER RING, 1 1/8 DIA, 1 3/8 DIA	1.000 EA
10XF0440S02	04-40 X 1/8 TYPE F HEX HD STAINLESS STIC	2.000 EA
LB1115	LABEL, LIFTING DEVICE	1.000 EA
MJ1000A75	GREASE, POLYREX EM EXXON	0.050 LB
MG1000G27	PAINT- S9282E CHARCOAL GREY	0.022 GA
36AD2004A01	BAFFLE PLATE, MOD 36-SLTD BAND MTRS DELTA	2.000 EA

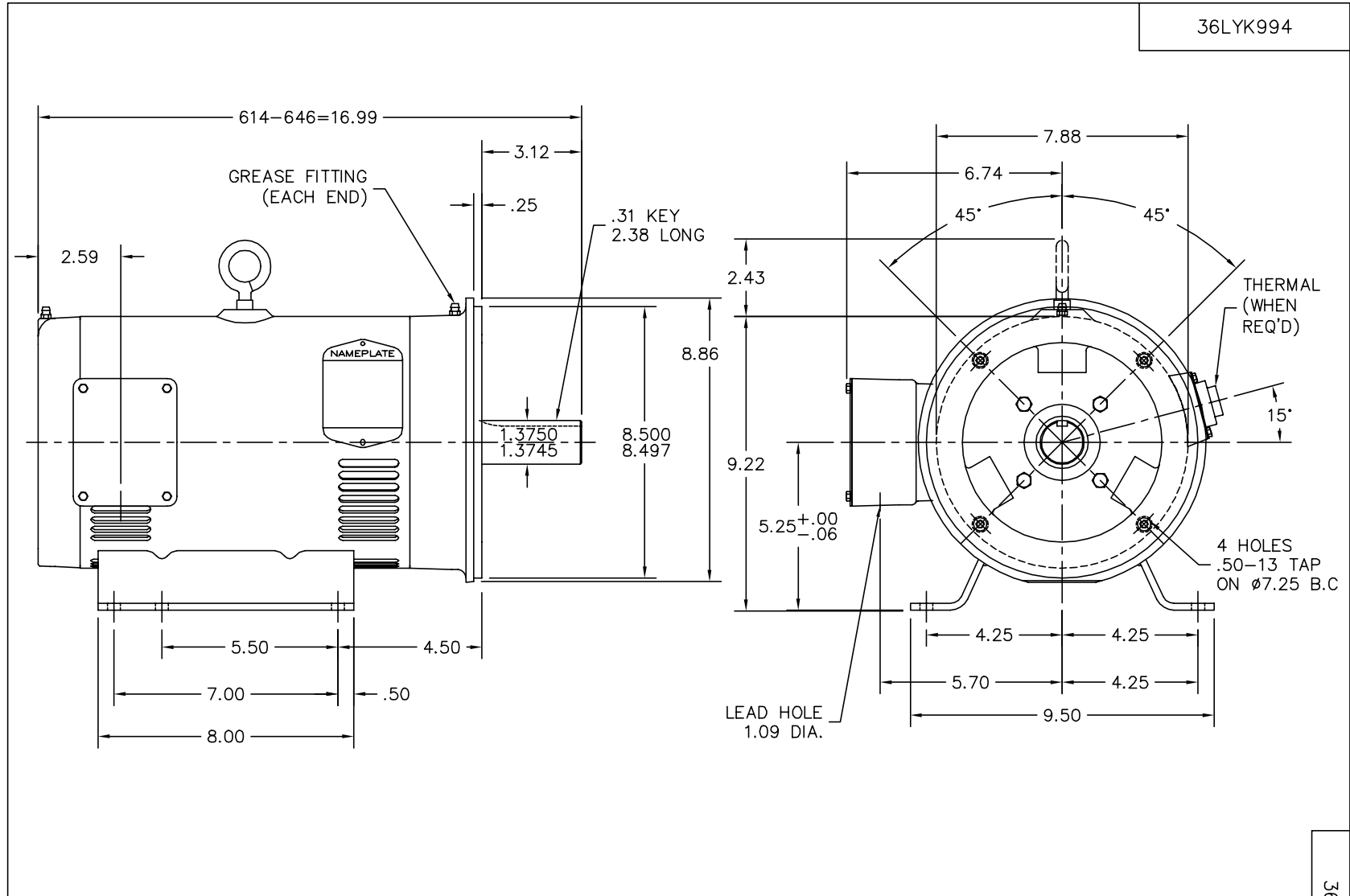
Parts List (continued)		
Part Number	Description	Quantity
LB1125C04	STD-E (STOCK CTN LABEL STD-E WITH FLAG)	1.000 EA
LC0005E01	CONN.DIA./WARNING LABEL (LC0005/LB1119)	1.000 EA
NP1256L	ALUM, UL CSA CC, W/O THERMAL, LASER	1.000 EA
36PA1001	PACKAGING GROUP	1.000 EA

Performance Data at 460V, 60Hz, 7.5HP (Typical performance - Not guaranteed values)

General Characteristics							
Full Load Torque:	22.5 LB-FT			Start Configuration:	DOL		
No-Load Current:	5.13 Amps			Break-Down Torque:	75.8 LB-FT		
Line-line Res. @ 25°C.:	1.68 Ohms A Ph / 0.0 Ohms B Ph			Pull-Up Torque:	42.5 LB-FT		
Temp. Rise @ Rated Load:	65 C			Locked-Rotor Torque:	58.1 LB-FT		
Temp. Rise @ S.F. Load:	80 C			Starting Current:	73.6 Amps		
Load Characteristics							
% of Rated Load	25	50	75	100	125	150	S.F.
Power Factor:	40.0	61.0	73.0	79.0	83.0	84.0	81.0
Efficiency:	81.7	87.8	88.9	88.6	87.5	85.8	87.9
Speed:	1788.0	1777.0	1764.0	1750.0	1734.0	1716.0	1740.0
Line Amperes:	5.47	6.56	8.13	10.0	12.2	14.6	11.3

Performance Graph at 460V, 60Hz, 7.5HP Typical performance - Not guaranteed values





CUSTOMER IS RESPONSIBLE FOR DETERMINING THAT MOTOR PERFORMANCE IS SUITABLE IN THE APPLICATION.

REV. DESC: REVISED MOUNTING BOLT NOTE

REV. LTR: A BY: RMP REVISED: 14: 41: 47 08/25/2004 TDR: 341565

FILE: AAA00116793 REF: 36LYK994

MTL: -

BALDOR ELECTRIC Co.

HORZ 213-5TC OPSB 36M

36LYK994

CD0005



LOW VOLTAGE
(2Y)



LINE

HIGH VOLTAGE
(1Y)



LINE

NOTES:

1. INTERCHANGE ANY TWO LINE LEADS TO REVERSE ROTATION.
2. OPTIONAL THERMOSTATS ARE PROVIDED WHEN SPECIFIED.
3. ACTUAL NUMBER OF INTERNAL PARALLEL CIRCUITS MAY BE A MULTIPLE OF THOSE SHOWN ABOVE.
4. LEAD COLORS ARE OPTIONAL. LEADS MUST ALWAYS BE NUMBERED AS SHOWN.

REV. DESC: REVISE TO SHOW OPTIONAL COLORS			
REV. LTR: E	BY: JLP	REVISED: 01/19/99 10:15	TDR: 0171435
900000		FILE: AAA00005140	MDL: -
		MTL: -	

BALDOR ELECTRIC Co.

3PH, DV, 9 LEADS

CD0005