

BALDOR® • RELIANCE

Product Information Packet

ELECTRIC MOTOR WHOLESAL.COM

CM3313T

10HP,1765RPM,3PH,60HZ,215TC,3733M,OPSB,F

| Part Detail | | | | | | | |
|-------------|-------|-------------|-------|----------------|----------|---------------|------------|
| Revision: | C | Status: | INA/A | Change #: | | Proprietary: | No |
| Type: | AC | Prod. Type: | 3733M | Elec. Spec: | 37WGS131 | CD Diagram: | |
| Enclosure: | OPSB | Mfg Plant: | | Mech. Spec: | 37B102 | Layout: | |
| Frame: | 215TC | Mounting: | F1 | Poles: | 04 | Created Date: | 10-05-2006 |
| Base: | RG | Rotation: | R | Insulation: | B | Eff. Date: | 05-19-2009 |
| Leads: | 9#14 | Literature: | | Elec. Diagram: | | Replaced By: | |

Nameplate NP1256L

| | | | | | | | |
|--------------|--------------|----------------|------|-----|---|-------|---|
| CAT.NO. | CM3313T | | | | | | |
| SPEC. | 37B102S131H1 | | | | | | |
| HP | 10 | | | | | | |
| VOLTS | 208-230/460 | | | | | | |
| AMP | 29-26.8/13.4 | | | | | | |
| RPM | 1765 | | | | | | |
| FRAME | 215TC | HZ | 60 | PH | 3 | | |
| SER.F. | 1.15 | CODE | J | DES | A | CLASS | B |
| NEMA-NOM-EFF | 89.5 | PF | 78 | | | | |
| RATING | 40C AMB-CONT | | | | | | |
| CC | 010A | USABLE AT 208V | | | | | |
| DE | 6307 | ODE | 6206 | | | | |
| ENCL | OPSB | SN | | | | | |
| | | | | | | | |

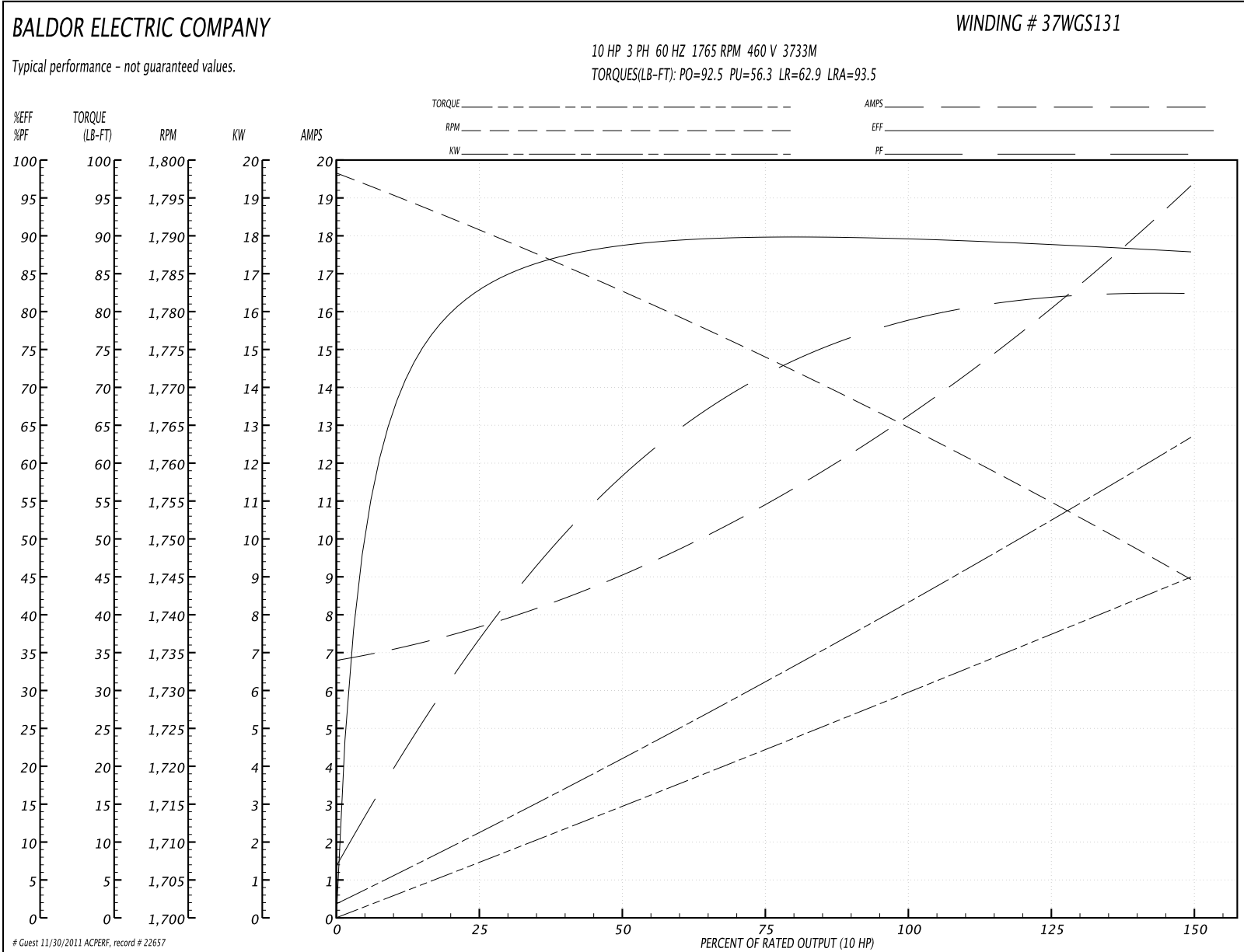
| Parts List | | |
|----------------|--|----------|
| Part Number | Description | Quantity |
| SA149186 | SA 37B102S131H1 | 1.000 EA |
| RA138123 | RA 37B102S131H1 | 1.000 EA |
| S/P101-000-000 | EPACT PROCEDURES-FS PLANT-POLYREX EM, NO | 1.000 EA |
| HA6361A01 | LIFTING LUG FOR 37, 39 & 40 FRAME (AUTOP | 2.000 EA |
| 37CB3006 | 37 CB CASTING W/1.38 LEAD HOLE @ 6:00 | 1.000 EA |
| 51XW2520A10 | .25-20 X .62, TAPTITE II, HEX WSHR SLTD | 2.000 EA |
| 11XW1032G06 | 10-32 X .38, TAPTITE II, HEX WSHR SLTD U | 1.000 EA |
| 37EP3200A01SP | FR ENDPLATE, 37L&M, OPEN, MACH, W/GREASE | 1.000 EA |
| HW4500A01 | 1641B(ALEMITE)400 UNIV, GREASE FITT | 1.000 EA |
| HW5100A06 | W2420-025 WVY WSHR (WB) | 1.000 EA |
| 37EP3400A01 | FACE MT EP-OPEN-307 BRG-213-215TC W/GREA | 1.000 EA |
| HW4500A01 | 1641B(ALEMITE)400 UNIV, GREASE FITT | 1.000 EA |
| 10XN2520A30 | HEX HD CAP SCREW-STD THD-.25 X 20 THD PE | 4.000 EA |
| HW1001A25 | LOCKWASHER 1/4, ZINC PLT .493 OD, .255 I | 4.000 EA |
| XY3118A12 | 5/16-18 HEX NUT DIRECTIONAL SERRATION | 4.000 EA |
| 37CB4516 | LIPPED LID FOR 37 FRAME NEC KOBX | 1.000 EA |
| 51XW0832A07 | 8-32 X .44, TAPTITE II, HEX WSHR SLTD SE | 4.000 EA |
| HW2501F21 | KEY, 5/16 SQ X 2.375 | 1.000 EA |
| HA7000A02 | KEY RETAINER RING, 1 1/8 DIA, 1 3/8 DIA | 1.000 EA |
| 85XU0407S04 | 4X1/4 U DRIVE PIN STAINLESS | 2.000 EA |
| LB1115 | LABEL,LIFTING DEVICE | 1.000 EA |
| MJ1000A75 | GREASE, POLYREX EM EXXON | 0.050 LB |
| MG1000G27 | PAINT- S9282E CHARCOAL GREY | 0.028 GA |
| 37AD2001A01 | BAFFLE PLATE, STAMPED | 2.000 EA |

| Parts List (continued) | | |
|------------------------|---|----------|
| Part Number | Description | Quantity |
| HA3104A39 | THRUBOLT-5/16-18 X 12.250 | 4.000 EA |
| LB1125C04 | STD-E (STOCK CTN LABEL STD-E WITH FLAG) | 1.000 EA |
| LC0005E01 | CONN.DIA./WARNING LABEL (LC0005/LB1119) | 1.000 EA |
| NP1256L | ALUM, UL CSA CC, W/O THERMAL, LASER | 1.000 EA |
| 36PA1001 | PACKAGING GROUP | 1.000 EA |

Performance Data at 460V, 60Hz, 10.0HP (Typical performance - Not guaranteed values)

| General Characteristics | | | | | | | |
|--------------------------|--------------------------------|--------|--------|----------------------|------------|--------|--------|
| Full Load Torque: | 29.7 LB-FT | | | Start Configuration: | DOL | | |
| No-Load Current: | 6.97 Amps | | | Break-Down Torque: | 92.5 LB-FT | | |
| Line-line Res. @ 25°C.: | 1.15 Ohms A Ph / 0.0 Ohms B Ph | | | Pull-Up Torque: | 56.3 LB-FT | | |
| Temp. Rise @ Rated Load: | 47 C | | | Locked-Rotor Torque: | 62.9 LB-FT | | |
| Temp. Rise @ S.F. Load: | 59 C | | | Starting Current: | 93.5 Amps | | |
| Load Characteristics | | | | | | | |
| % of Rated Load | 25 | 50 | 75 | 100 | 125 | 150 | S.F. |
| Power Factor: | 37.0 | 59.0 | 71.0 | 78.0 | 81.0 | 83.0 | 80.0 |
| Efficiency: | 82.2 | 88.5 | 89.9 | 89.8 | 89.1 | 87.9 | 89.4 |
| Speed: | 1790.0 | 1783.0 | 1774.0 | 1765.0 | 1756.0 | 1744.0 | 1760.0 |
| Line Amperes: | 7.43 | 8.87 | 10.9 | 13.4 | 16.1 | 19.2 | 15.0 |

Performance Graph at 460V, 60Hz, 10.0HP Typical performance - Not guaranteed values



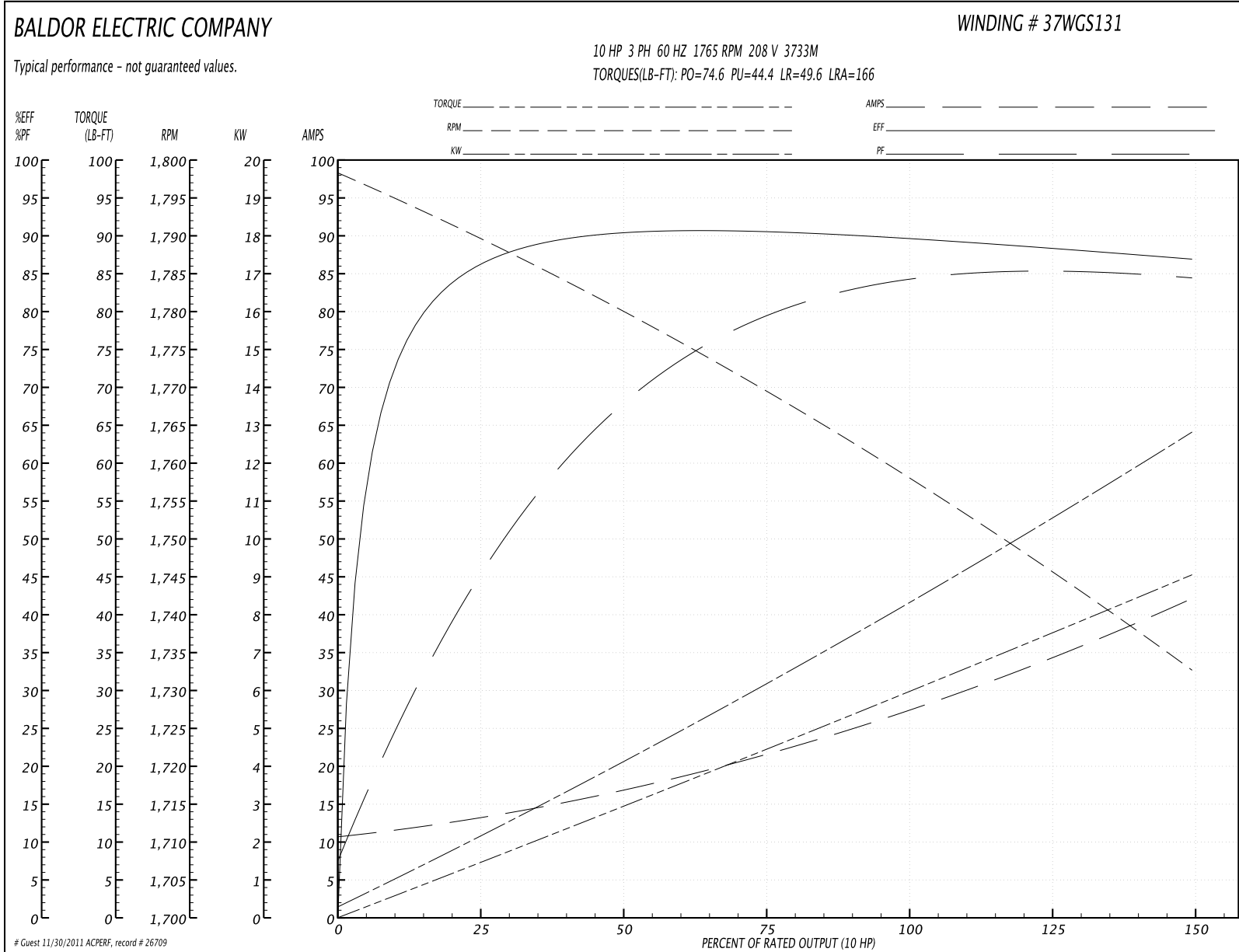
Performance Data at 208V, 60Hz, 10.0HP (Typical performance - Not guaranteed values)
General Characteristics

| | | | |
|---------------------------------|---------------------------------|-----------------------------|------------|
| Full Load Torque: | 29.8 LB-FT | Start Configuration: | DOL |
| No-Load Current: | 11.1 Amps | Break-Down Torque: | 74.6 LB-FT |
| Line-line Res. @ 25°C.: | 0.288 Ohms A Ph / 0.0 Ohms B Ph | Pull-Up Torque: | 44.4 LB-FT |
| Temp. Rise @ Rated Load: | 46 C | Locked-Rotor Torque: | 49.6 LB-FT |
| Temp. Rise @ S.F. Load: | 58 C | Starting Current: | 166.0 Amps |

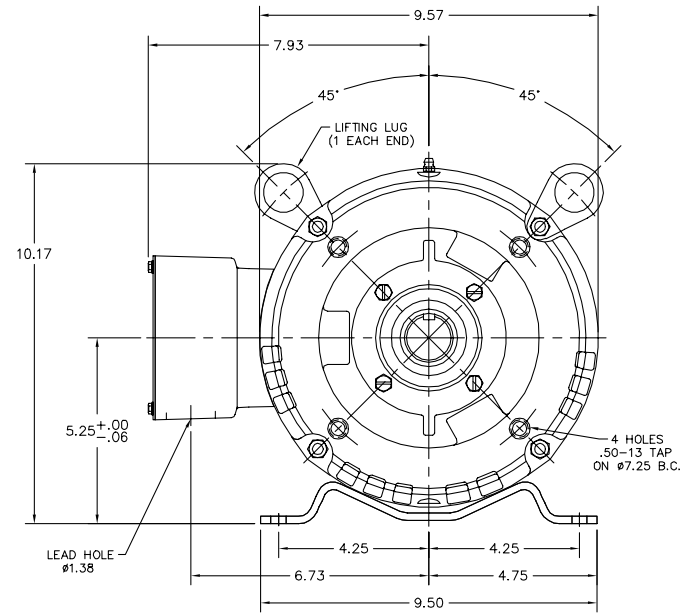
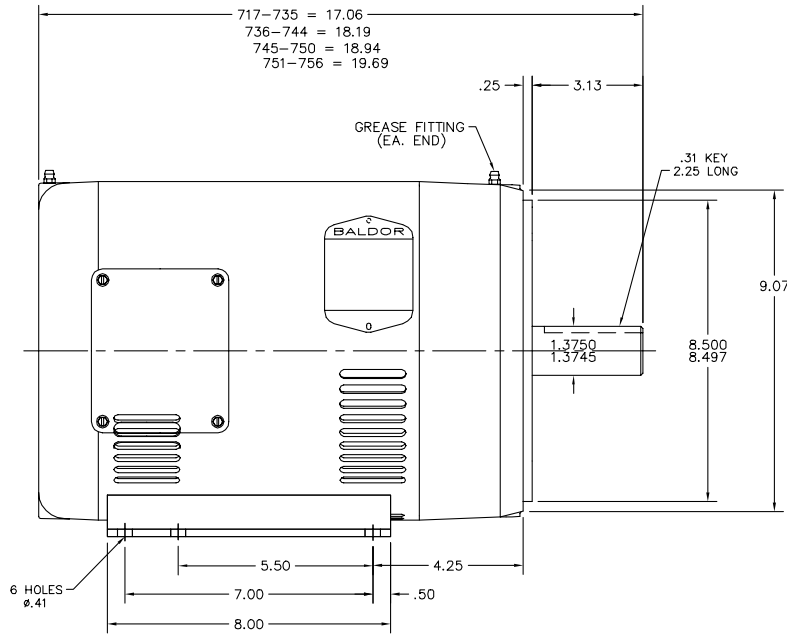
Load Characteristics

| % of Rated Load | 25 | 50 | 75 | 100 | 125 | 150 | S.F. |
|------------------------|-----------|-----------|-----------|------------|------------|------------|-------------|
| Power Factor: | 46.0 | 69.0 | 79.0 | 83.0 | 85.0 | 85.0 | 84.0 |
| Efficiency: | 85.4 | 90.4 | 90.4 | 89.7 | 88.5 | 86.8 | 89.0 |
| Speed: | 1789.0 | 1780.0 | 1770.0 | 1758.0 | 1747.0 | 1732.0 | 1751.0 |
| Line Amperes: | 12.6 | 16.5 | 21.6 | 27.7 | 34.3 | 41.9 | 31.7 |

Performance Graph at 208V, 60Hz, 10.0HP Typical performance - Not guaranteed values



37LYB102



37LYB102

CUSTOMER IS RESPONSIBLE FOR DETERMINING THAT BALDOR'S PRODUCT WILL PERFORM SUITABLY IN THE INTENDED APPLICATION.

| | | |
|---|------------------------------|-------------------|
| REV. DESC: CORRECTED LIFTING LUG GRAPHICS | VERSION: 01 | TDR: 000000487051 |
| REV. LTR: E | REvised: 08:23:39 01/09/2009 | BY: ENSTES0 |
| FILE: \AAA\00045\872 | | |
| MTL: - | | |

BALDOR • DODGE • RELIANCE

STD HORZ 213-5TC OPSB 37M

SH 1 of 1

