

BALDOR® • RELIANCE

Product Information Packet

ELECTRIC MOTOR WHOLESAL.COM

CM3550T

1.5HP,3450RPM,3PH,60HZ,143TC,3520M,TEFC

Part Detail							
Revision:	M	Status:	INA/A	Change #:		Proprietary:	No
Type:	AC	Prod. Type:	3520M	Elec. Spec:	35WGS253	CD Diagram:	
Enclosure:	TEFC	Mfg Plant:		Mech. Spec:	35A002	Layout:	
Frame:	143TC	Mounting:	F1	Poles:	02	Created Date:	06-21-2007
Base:	RG	Rotation:	R	Insulation:	B	Eff. Date:	04-15-2010
Leads:	9#18	Literature:		Elec. Diagram:		Replaced By:	

Nameplate NP1256L

CAT.NO.	CM3550T						
SPEC.	35A002S253H1						
HP	1.5						
VOLTS	208-230/460						
AMP	4.3-4.2/2.1						
RPM	3450						
FRAME	143TC	HZ	60	PH	3		
SER.F.	1.15	CODE	L	DES	B	CLASS	B
NEMA-NOM-EFF	82.5	PF	85				
RATING	40C AMB-CONT						
CC	010A	USABLE AT 208V	4.3				
DE	6205	ODE	6203				
ENCL	TEFC	SN					

Parts List		
Part Number	Description	Quantity
SA108771	SA 35A002S253H1	1.000 EA
RA100293	RA 35A002S253H1	1.000 EA
S/P101-000-000	EPACT PROCEDURES-FS PLANT-POLYREX EM, NO	1.000 EA
NS2512A01	INSULATOR, CONDUIT BOX X	1.000 EA
35CB3007	35 CB CASTING W/.88 DIA. LEAD HOLE	1.000 EA
36GS1000SP	GASKET-CONDUIT BOX, .06 THICK #SV-330 LE	1.000 EA
51XB1016A07	10-16 X 7/16 HXWSSLD SERTYB	2.000 EA
11XW1032G06	10-32 X .38, TAPTITE II, HEX WSHR SLTD U	1.000 EA
35EP3100M01	FREP TEFC 203 BRG W/GRSR (RAISED FH PADS	1.000 EA
HW4500A01	1641B(ALEMITE)400 UNIV, GREASE FITT	1.000 EA
HW5100A03SP	WAVY WASHER (W1543-017)	1.000 EA
35EP3300A46	SPL FACE MTD EP-ENCL-145TC-205 BRG	1.000 EA
HW4500A01	1641B(ALEMITE)400 UNIV, GREASE FITT	1.000 EA
51XN1032A20	10-32 X 1 1/4 HX WS SL SR	2.000 EA
51XB1214A16	12-14X1.00 HXWSSLD SERTYB	1.000 EA
35FH4005A84SP	IEC FH W/GRSR, NO DIMPLES W/AUTOPHERETIC	1.000 EA
51XW1032A06	10-32 X .38, TAPTITE II, HEX WSHR SLTD S	3.000 EA
35CB4521	35 LIPPED CB LID (GALV & PHOSPH)	1.000 EA
35GS1030	35 GS FOR CB LID - LEXIDE	1.000 EA
51XW0832A07	8-32 X .44, TAPTITE II, HEX WSHR SLTD SE	4.000 EA
HW2501D13SP	KEY, 3/16 SQ X 1.375	1.000 EA
HA7000A01	KEY RETAINER 7/8" DIA SHAFT	1.000 EA
85XU0407S04	4X1/4 U DRIVE PIN STAINLESS	2.000 EA
MJ1000A75	GREASE, POLYREX EM EXXON	0.050 LB

Parts List (continued)		
Part Number	Description	Quantity
MG1000G27	PAINT- S9282E CHARCOAL GREY	0.017 GA
35FN3002A05SP	EXFN, PLASTIC, 6.376 OD, .638 ID	1.000 EA
HA3100A15	THRUBOLT 10-32 X 8.375	4.000 EA
LB1125C04	STD-E (STOCK CTN LABEL STD-E WITH FLAG)	1.000 EA
LC0005E01	CONN.DIA./WARNING LABEL (LC0005/LB1119)	1.000 EA
NP1256L	ALUM, UL CSA CC, W/O THERMAL, LASER	1.000 EA
PA1000	PACKING GROUP 3500 SHORT	1.000 EA

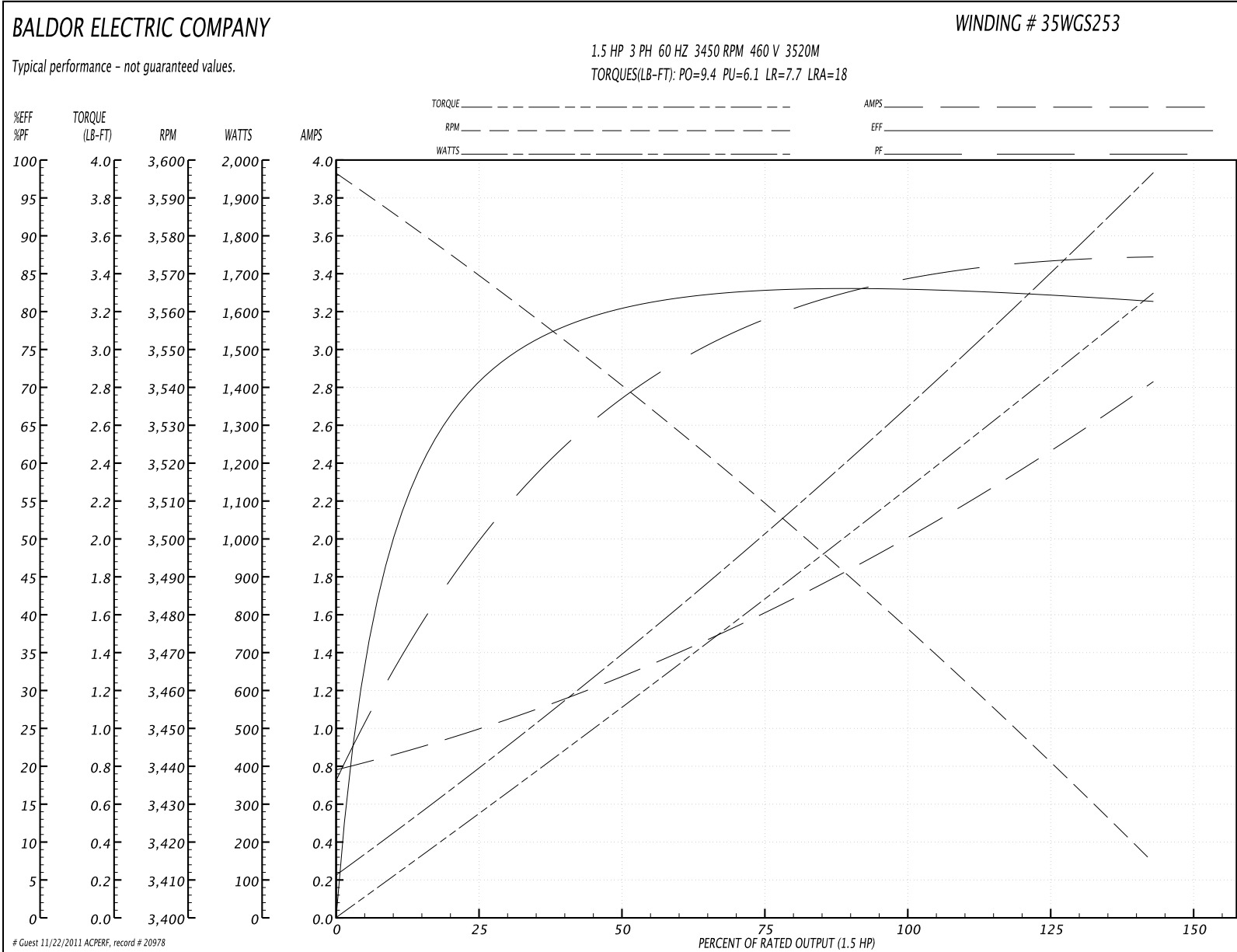
Performance Data at 460V, 60Hz, 1.5HP (Typical performance - Not guaranteed values)
General Characteristics

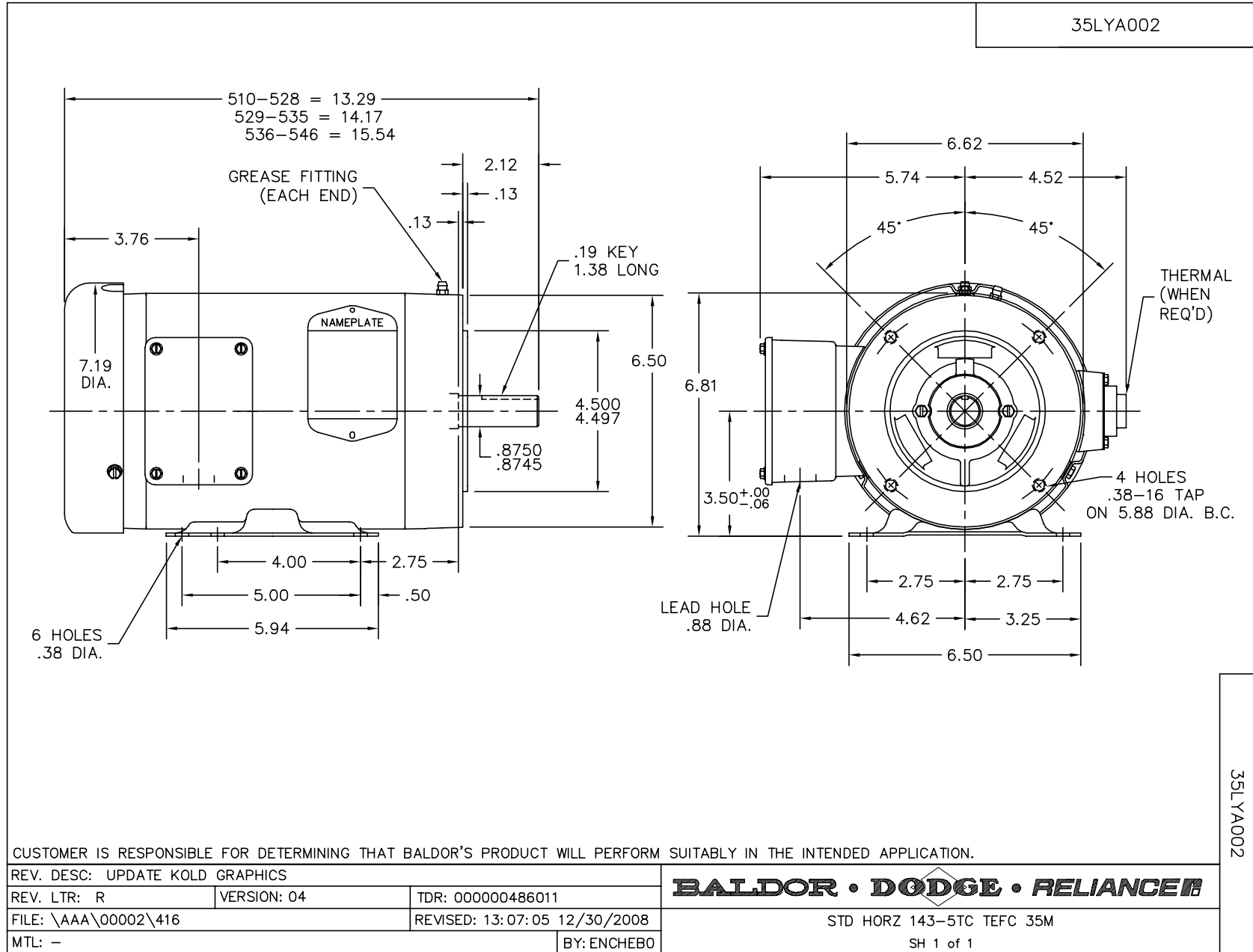
Full Load Torque:	2.2 LB-FT	Start Configuration:	DOL
No-Load Current:	0.8 Amps	Break-Down Torque:	9.4 LB-FT
Line-line Res. @ 25°C.:	11.6 Ohms A Ph / 0.0 Ohms B Ph	Pull-Up Torque:	6.1 LB-FT
Temp. Rise @ Rated Load:	42 C	Locked-Rotor Torque:	7.7 LB-FT
Temp. Rise @ S.F. Load:	49 C	Starting Current:	18.0 Amps

Load Characteristics

% of Rated Load	25	50	75	100	125	150	S.F.
Power Factor:	58.0	76.0	85.0	89.0	92.0	94.0	0.0
Efficiency:	71.6	80.1	82.6	83.0	82.5	81.3	0.0
Speed:	3566.0	3540.0	3513.0	3481.0	3449.0	3413.0	0.0
Line Amperes:	1.0	1.2	1.6	2.0	2.4	2.8	2.2

Performance Graph at 460V, 60Hz, 1.5HP Typical performance - Not guaranteed values

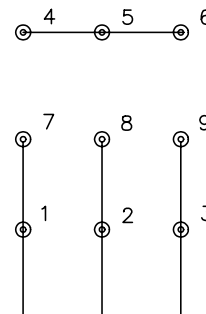




CD0005

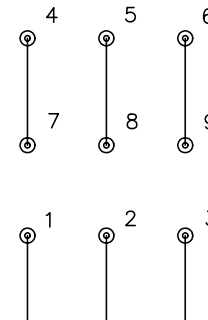


LOW VOLTAGE
(2Y)



LINE

HIGH VOLTAGE
(1Y)



LINE

NOTES:

1. INTERCHANGE ANY TWO LINE LEADS TO REVERSE ROTATION.
2. OPTIONAL THERMOSTATS ARE PROVIDED WHEN SPECIFIED.
3. ACTUAL NUMBER OF INTERNAL PARALLEL CIRCUITS MAY BE A MULTIPLE OF THOSE SHOWN ABOVE.
4. LEAD COLORS ARE OPTIONAL. LEADS MUST ALWAYS BE NUMBERED AS SHOWN.

REV. DESC: REVISE TO SHOW OPTIONAL COLORS			
REV. LTR: E	BY: JLP	REVISED: 01/19/99 10:15	TDR: 0171435
900000		FILE: AAA00005140	MDL: -
		MTL: -	

BALDOR ELECTRIC Co.

3PH, DV, 9 LEADS

CD0005