

BALDOR® • RELIANCE

Product Information Packet

ELECTRIC MOTOR WHOLESAL.COM

CM3550

1.5HP,3450RPM,3PH,60HZ,56C,3424M,TEFC,F1

Part Detail							
Revision:	P	Status:	PRD/A	Change #:		Proprietary:	No
Type:	AC	Prod. Type:	3424M	Elec. Spec:	34WG0283	CD Diagram:	
Enclosure:	TEFC	Mfg Plant:		Mech. Spec:	34-1297	Layout:	
Frame:	56C	Mounting:	F1	Poles:	02	Created Date:	
Base:	RG	Rotation:	R	Insulation:	B	Eff. Date:	03-30-2011
Leads:	9#18	Literature:		Elec. Diagram:		Replaced By:	

Nameplate NP1256L									
CAT.NO.	CM3550								
SPEC.	34-1297-283								
HP	1.5								
VOLTS	208-230/460								
AMP	4.9-4.6/2.3								
RPM	3450								
FRAME	56C	HZ			60	PH	3		
SER.F.	1.15	CODE			L	DES	B	CLASS	B
NEMA-NOM-EFF	80	PF			74				
RATING	40C AMB-CONT								
CC				USABLE AT 208V		4.9			
DE	6203	ODE			6203				
ENCL	TEFC	SN							
	SFA 5.3-5/2.5								

Parts List		
Part Number	Description	Quantity
SA008688	SA 34-1297-283	1.000 EA
RA005135	RA 34-1297-283	1.000 EA
NS2512A01	INSULATOR, CONDUIT BOX X	1.000 EA
34CB3002A	CB CAST W/.88 DIA HOLE	1.000 EA
34GS1029A01	GASKET, CONDUIT BOX	1.000 EA
51XB1016A07	10-16 X 7/16 HXWSSLD SERTYB	2.000 EA
11XW1032G06	10-32 X .38, TAPTITE II, HEX WSHR SLTD U	1.000 EA
34EP3102A01SP	FR ENDPLATE, MACH	1.000 EA
HW5100A03SP	WAVY WASHER (W1543-017)	1.000 EA
34EP3300A24SP	PU ENDPLATE, MACH	1.000 EA
51XN1032A20	10-32 X 1 1/4 HX WS SL SR	2.000 EA
34FN3002A01SP	EXTERNAL FAN, PLASTIC, .637/.639 HUB W/	1.000 EA
34FH4002A01SP	IEC FH NO GREASER	1.000 EA
51XW1032A06	10-32 X .38, TAPTITE II, HEX WSHR SLTD S	3.000 EA
34CB4517	CB LID 4 MTG HOLES .22 DIA STAMPED, FOR	1.000 EA
34GS1031A01	GASKET, FLAT CONDUIT BOX LID (LEXIDE)	1.000 EA
51XW0832A07	8-32 X .44, TAPTITE II, HEX WSHR SLTD SE	4.000 EA
HW2501D13SP	KEY, 3/16 SQ X 1.375	1.000 EA
HA7000A04	KEY RETAINER 0.625 DIA SHAFTS	1.000 EA
MG1000G27	PAINT- S9282E CHARCOAL GREY	0.014 GA
10XF0440S02	04-40 X 1/8 TYPE F HEX HD STAINLESS STIC	2.000 EA
HA3100A15	THRUBOLT 10-32 X 8.375	4.000 EA
LB1125C01	STD (STOCK) CARTON LABEL BALDOR WITH FLA	1.000 EA
LC0005E01	CONN.DIA./WARNING LABEL (LC0005/LB1119)	1.000 EA

Parts List (continued)		
Part Number	Description	Quantity
NP1256L	ALUM, UL CSA CC, W/O THERMAL, LASER	1.000 EA
34PA1005	PACKING GROUP, BALDOR	1.000 EA

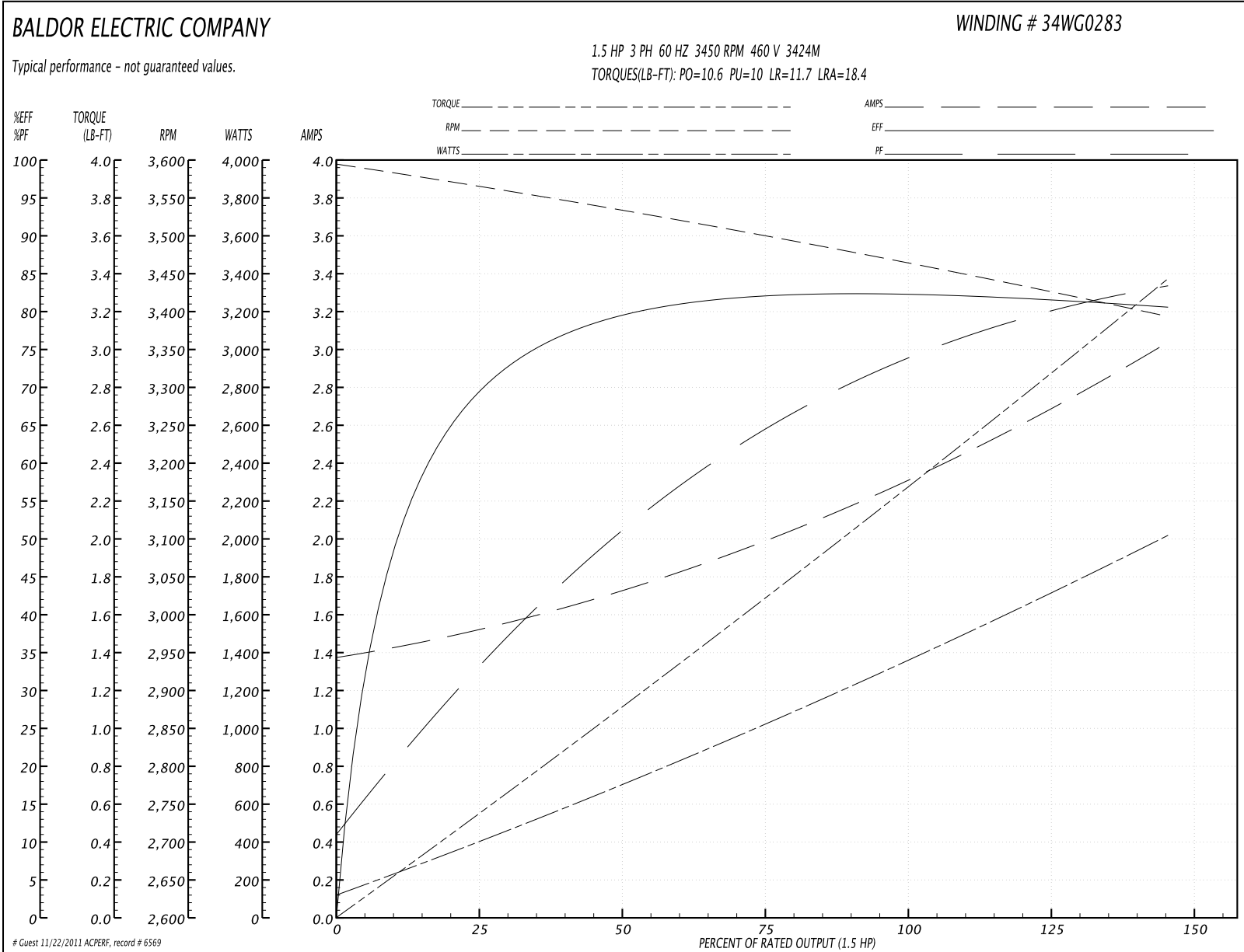
Performance Data at 460V, 60Hz, 1.5HP (Typical performance - Not guaranteed values)
General Characteristics

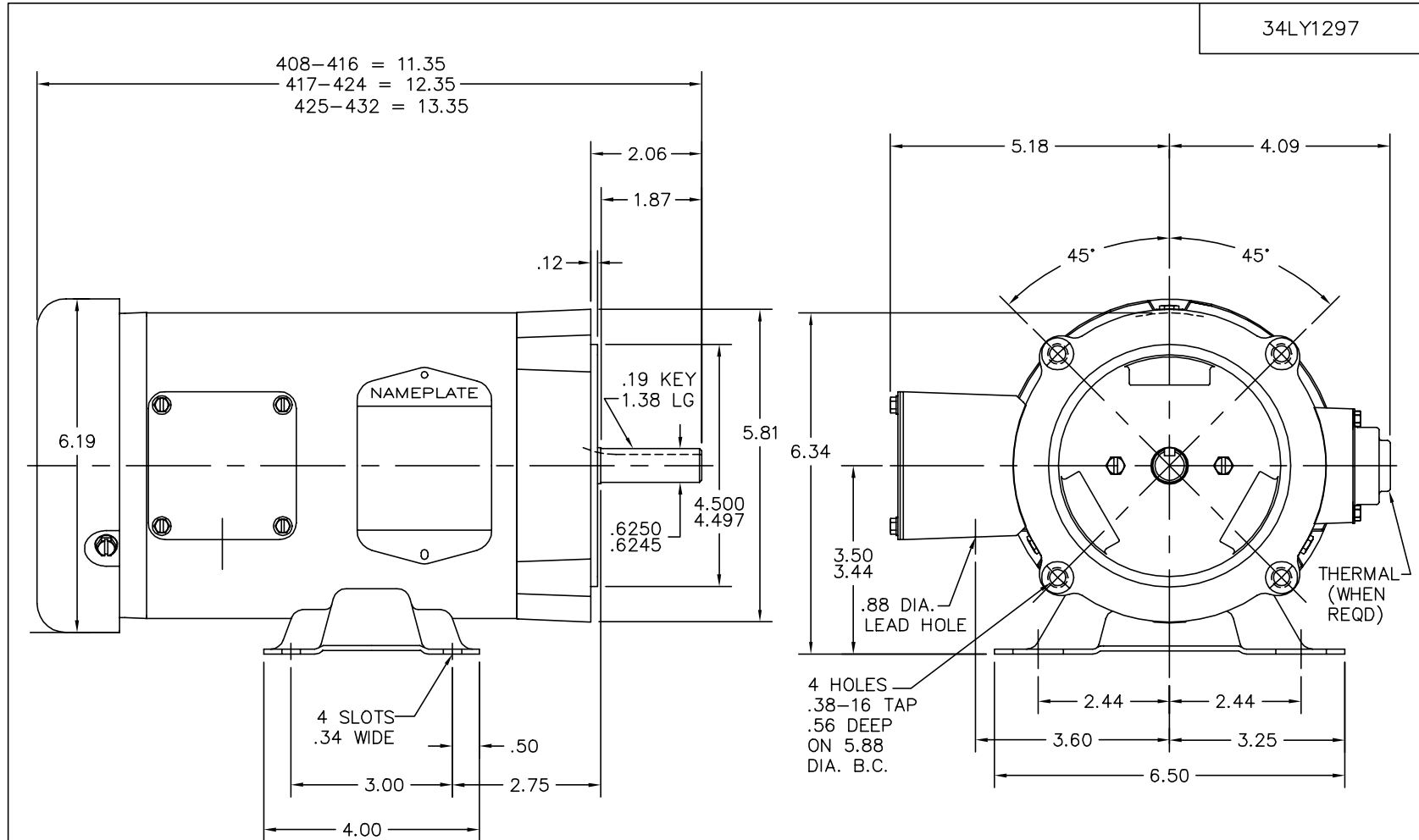
Full Load Torque:	2.25 LB-FT	Start Configuration:	DOL
No-Load Current:	1.4 Amps	Break-Down Torque:	10.6 LB-FT
Line-line Res. @ 25°C.:	8.53 Ohms A Ph / 0.0 Ohms B Ph	Pull-Up Torque:	10.0 LB-FT
Temp. Rise @ Rated Load:	71 C	Locked-Rotor Torque:	11.7 LB-FT
Temp. Rise @ S.F. Load:	83 C	Starting Current:	18.4 Amps

Load Characteristics

% of Rated Load	25	50	75	100	125	150	S.F.
Power Factor:	39.0	57.0	68.0	76.0	81.0	84.0	79.0
Efficiency:	70.7	79.6	81.8	82.3	81.7	80.6	81.9
Speed:	3564.0	3533.0	3501.0	3466.0	3429.0	3394.0	3444.0
Line Amperes:	1.5	1.7	2.0	2.3	2.7	3.0	2.54

Performance Graph at 460V, 60Hz, 1.5HP Typical performance - Not guaranteed values





34LY1297

CUSTOMER IS RESPONSIBLE FOR DETERMINING THAT MOTOR PERFORMANCE IS SUITABLE IN THE APPLICATION.

REV. DESC: NEW KBOX, LID & GASKETS		REVISED: 09:47:09 02/02/2004		TDR: 321325
REV. LTR: F	BY: RT	FILE: AAA00025920	REF: 34LY1297	
34LY1297		MTL: -		

BALDOR ELECTRIC Co.

STD HORZ MODEL 34M NEMA 56C TEFC

34LY1297

CD0005

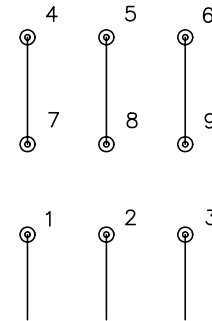


LOW VOLTAGE
(2Y)



LINE

HIGH VOLTAGE
(1Y)



LINE

NOTES:

1. INTERCHANGE ANY TWO LINE LEADS TO REVERSE ROTATION.
2. OPTIONAL THERMOSTATS ARE PROVIDED WHEN SPECIFIED.
3. ACTUAL NUMBER OF INTERNAL PARALLEL CIRCUITS MAY BE A MULTIPLE OF THOSE SHOWN ABOVE.
4. LEAD COLORS ARE OPTIONAL. LEADS MUST ALWAYS BE NUMBERED AS SHOWN.

REV. DESC: REVISE TO SHOW OPTIONAL COLORS

REV. LTR: E BY: JLP

REVISED: 01/19/99 10:15

TDR: 0171435

900000

FILE: AAA00005140

MDL: -

MTL: -

BALDOR ELECTRIC Co.

3PH, DV, 9 LEADS

CD0005