

BALDOR® • **RELIANCE**

Product Information Packet

ELECTRIC MOTOR WHOLESAL.COM

CM3554T

1.5HP, 1755RPM, 3PH, 60HZ, 145TC, 3521M, TEFC

Part Detail							
Revision:	G	Status:	INA/A	Change #:		Proprietary:	No
Type:	AC	Prod. Type:	3521M	Elec. Spec:	35WGZ541	CD Diagram:	
Enclosure:	TEFC	Mfg Plant:		Mech. Spec:	35A002	Layout:	
Frame:	145TC	Mounting:	F1	Poles:	04	Created Date:	12-06-2006
Base:	RG	Rotation:	R	Insulation:	F	Eff. Date:	10-05-2010
Leads:	9#18	Literature:		Elec. Diagram:		Replaced By:	

Nameplate NP1256L

CAT.NO.	CM3554T						
SPEC.	35A002Z541H1						
HP	1.5						
VOLTS	208-230/460						
AMP	5.1-4.8/2.4						
RPM	1755						
FRAME	145TC	HZ	60	PH	3		
SER.F.	1.15	CODE	M	DES	B	CLASS	F
NEMA-NOM-EFF	84	PF	70				
RATING	40C AMB-CONT						
CC	010A	USABLE AT 208V					
DE	6205	ODE	6203				
ENCL	TEFC	SN					

Parts List		
Part Number	Description	Quantity
SA151121	SA 35A002Z541H1	1.000 EA
RA139952	RA 35A002Z541H1	1.000 EA
34FN3002B01	EXTERNAL FAN, PLASTIC, .637/.639 HUB W/	1.000 EA
S/P101-000-000	EPACT PROCEDURES-FS PLANT-POLYREX EM, NO	1.000 EA
NS2512A01	INSULATOR, CONDUIT BOX X	1.000 EA
35CB3007	35 CB CASTING W/.88 DIA. LEAD HOLE	1.000 EA
36GS1000SP	GASKET-CONDUIT BOX, .06 THICK #SV-330 LE	1.000 EA
51XB1016A07	10-16 X 7/16 HXWSSLD SERTYB	2.000 EA
11XW1032G06	10-32 X .38, TAPTITE II, HEX WSHR SLTD U	1.000 EA
35EP3100M01	FREP TEFC 203 BRG W/GRSR (RAISED FH PADS	1.000 EA
HW4500A01	1641B(ALEMITE)400 UNIV, GREASE FITT	1.000 EA
HW5100A03SP	WAVY WASHER (W1543-017)	1.000 EA
35EP3300A46	SPL FACE MTD EP-ENCL-145TC-205 BRG	1.000 EA
HW4500A01	1641B(ALEMITE)400 UNIV, GREASE FITT	1.000 EA
51XN1032A20	10-32 X 1 1/4 HX WS SL SR	2.000 EA
51XB1214A16	12-14X1.00 HXWSSLD SERTYB	1.000 EA
35FH4005A84SP	IEC FH W/GRSR, NO DIMPLES W/AUTOPHERETIC	1.000 EA
51XW1032A06	10-32 X .38, TAPTITE II, HEX WSHR SLTD S	3.000 EA
35CB4521	35 LIPPED CB LID (GALV & PHOSPH)	1.000 EA
35GS1030	35 GS FOR CB LID - LEXIDE	1.000 EA
51XW0832A07	8-32 X .44, TAPTITE II, HEX WSHR SLTD SE	4.000 EA
HW2501D13SP	KEY, 3/16 SQ X 1.375	1.000 EA
HA7000A01	KEY RETAINER 7/8" DIA SHAFT	1.000 EA
85XU0407S04	4X1/4 U DRIVE PIN STAINLESS	2.000 EA

Parts List (continued)		
Part Number	Description	Quantity
MJ1000A75	GREASE, POLYREX EM EXXON	0.050 LB
MG1000G27	PAINT- S9282E CHARCOAL GREY	0.017 GA
HA3100A15	THRUBOLT 10-32 X 8.375	4.000 EA
LB1125C04	STD-E (STOCK CTN LABEL STD-E WITH FLAG)	1.000 EA
LC0005E01	CONN.DIA./WARNING LABEL (LC0005/LB1119)	1.000 EA
NP1256L	ALUM, UL CSA CC, W/O THERMAL, LASER	1.000 EA
PA1000	PACKING GROUP 3500 SHORT	1.000 EA

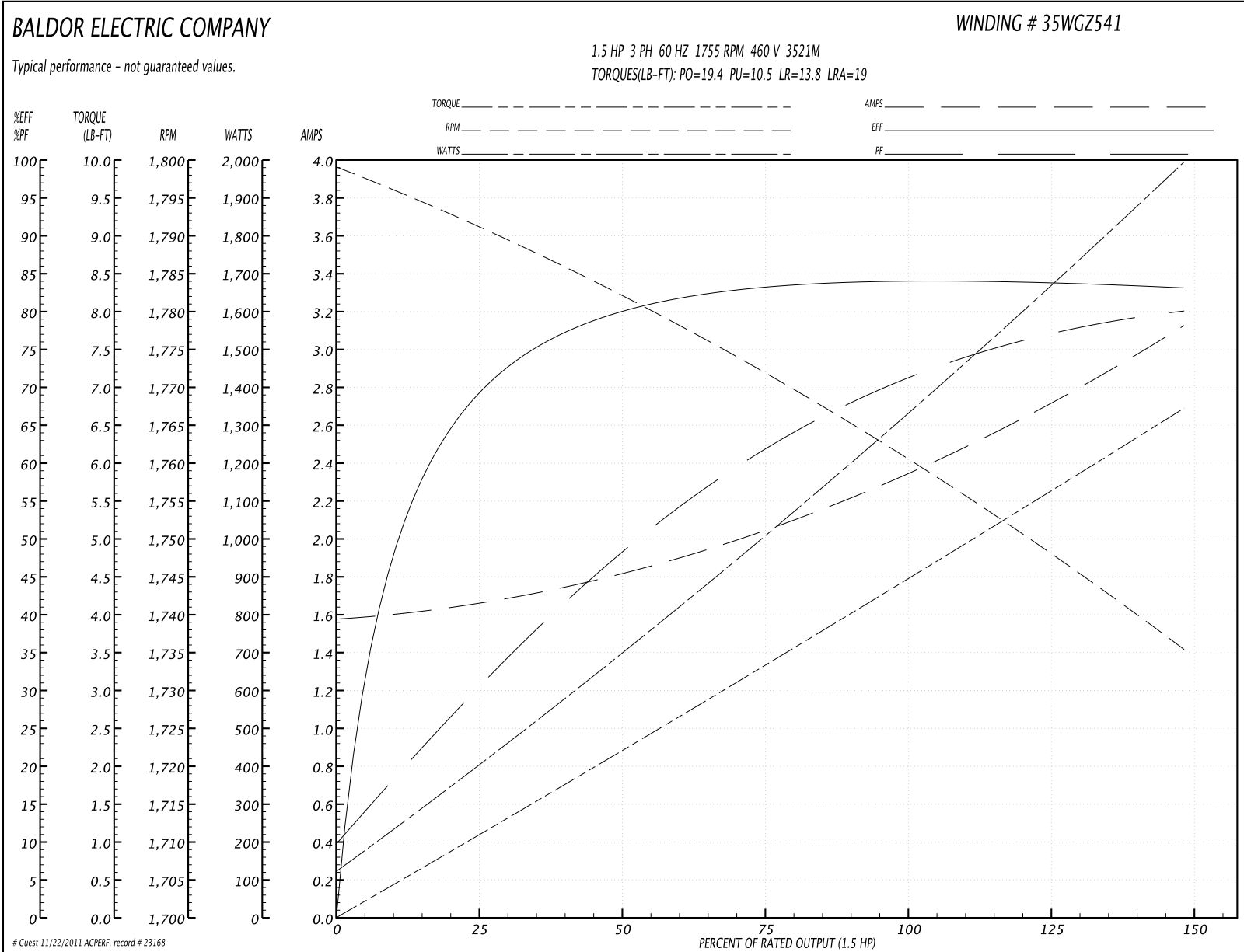
Performance Data at 460V, 60Hz, 1.5HP (Typical performance - Not guaranteed values)
General Characteristics

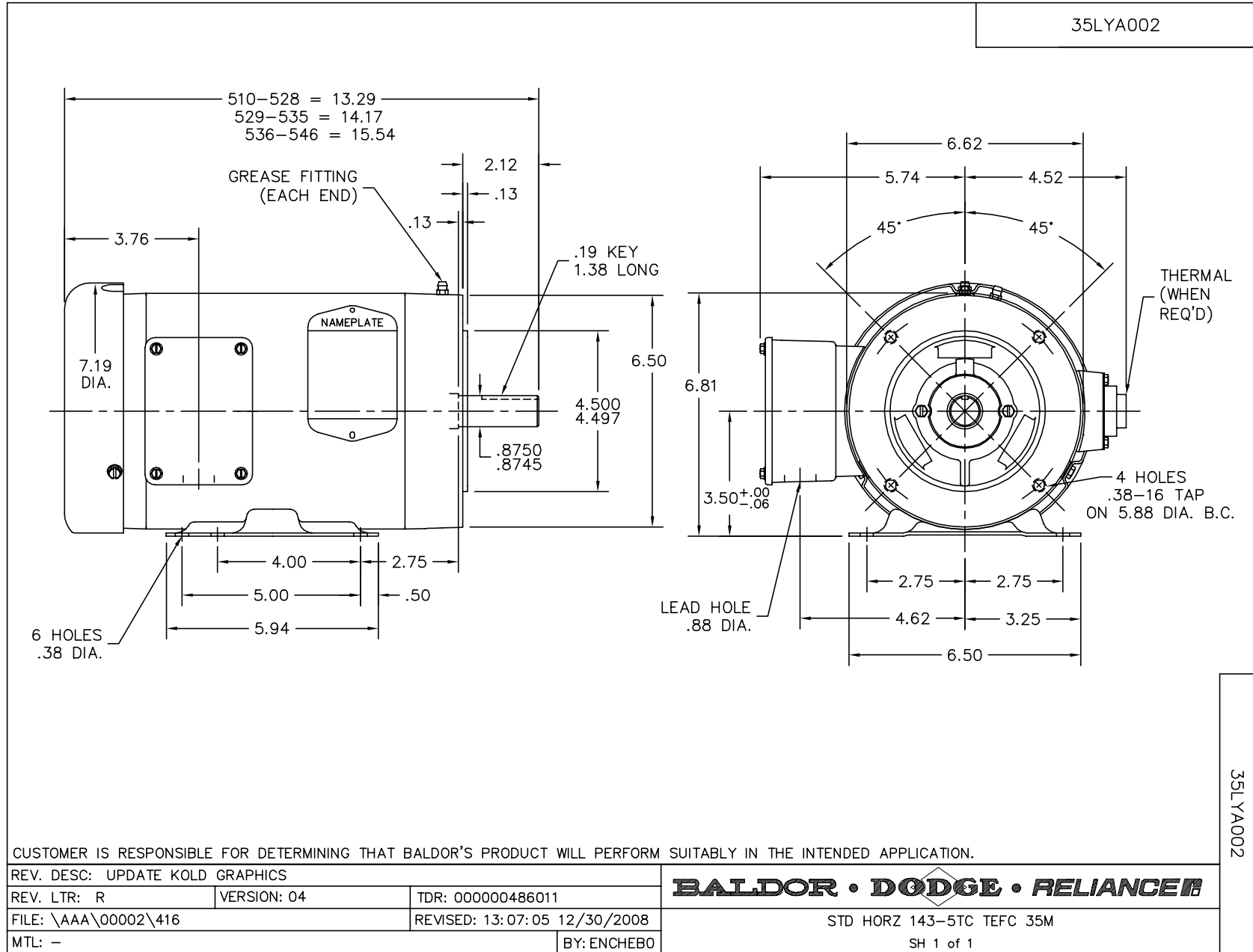
Full Load Torque:	4.43 LB-FT	Start Configuration:	DOL
No-Load Current:	1.59 Amps	Break-Down Torque:	19.4 LB-FT
Line-line Res. @ 25°C.:	10.1 Ohms A Ph / 0.0 Ohms B Ph	Pull-Up Torque:	10.5 LB-FT
Temp. Rise @ Rated Load:	56 C	Locked-Rotor Torque:	13.8 LB-FT
Temp. Rise @ S.F. Load:	65 C	Starting Current:	19.0 Amps

Load Characteristics

% of Rated Load	25	50	75	100	125	150	S.F.
Power Factor:	30.0	48.0	62.0	70.0	77.0	80.0	74.0
Efficiency:	68.2	79.4	83.0	84.0	83.9	83.0	83.9
Speed:	1792.0	1782.0	1772.0	1761.0	1749.0	1735.0	1754.0
Line Amperes:	1.64	1.8	2.04	2.35	2.71	3.12	2.57

Performance Graph at 460V, 60Hz, 1.5HP Typical performance - Not guaranteed values

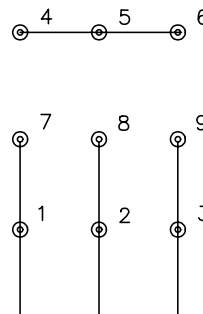




CD0005

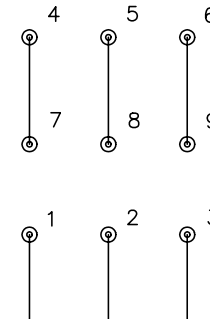


LOW VOLTAGE
(2Y)



LINE

HIGH VOLTAGE
(1Y)



LINE

NOTES:

1. INTERCHANGE ANY TWO LINE LEADS TO REVERSE ROTATION.
2. OPTIONAL THERMOSTATS ARE PROVIDED WHEN SPECIFIED.
3. ACTUAL NUMBER OF INTERNAL PARALLEL CIRCUITS MAY BE A MULTIPLE OF THOSE SHOWN ABOVE.
4. LEAD COLORS ARE OPTIONAL. LEADS MUST ALWAYS BE NUMBERED AS SHOWN.

REV. DESC: REVISE TO SHOW OPTIONAL COLORS			
REV. LTR: E	BY: JLP	REVISED: 01/19/99 10:15	TDR: 0171435
9000D		FILE: AAA00005140	MDL: -
		MTL: -	

BALDOR ELECTRIC Co.

3PH, DV, 9 LEADS

CD0005