

# **BALDOR® • RELIANCE**

**Product Information Packet**

**ELECTRIC MOTOR WHOLESAL.COM**

**CM3556**

**1HP,1155RPM,3PH,60HZ,56C,3520M,TEFC,F1,N**

| Part Detail |      |             |       |                |          |               |            |
|-------------|------|-------------|-------|----------------|----------|---------------|------------|
| Revision:   | A    | Status:     | PRD/A | Change #:      |          | Proprietary:  | No         |
| Type:       | AC   | Prod. Type: | 3520M | Elec. Spec:    | 35WGN025 | CD Diagram:   |            |
| Enclosure:  | TEFC | Mfg Plant:  |       | Mech. Spec:    | 35A012   | Layout:       |            |
| Frame:      | 56C  | Mounting:   | F1    | Poles:         | 06       | Created Date: | 06-02-2011 |
| Base:       | RG   | Rotation:   | R     | Insulation:    | B        | Eff. Date:    | 07-15-2011 |
| Leads:      | 9#18 | Literature: |       | Elec. Diagram: |          | Replaced By:  |            |

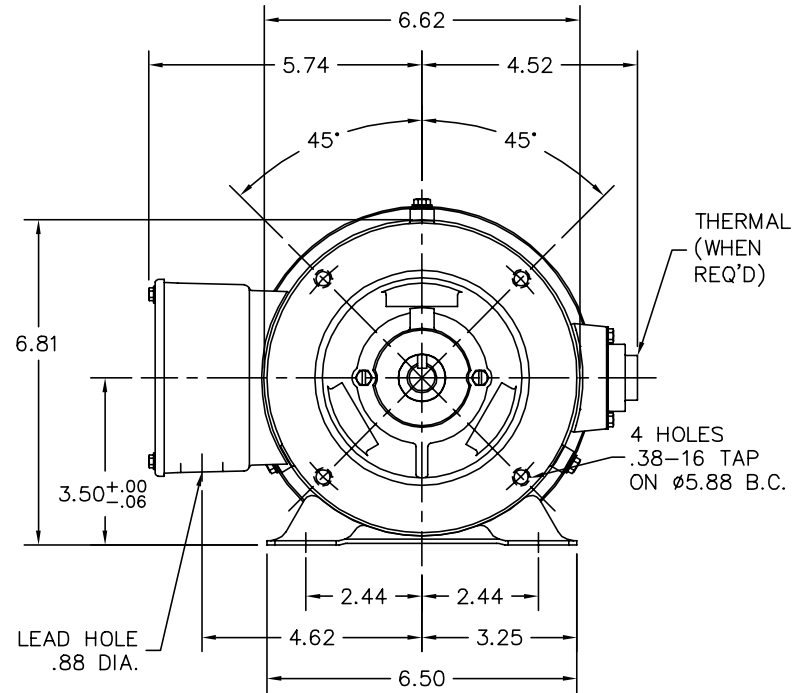
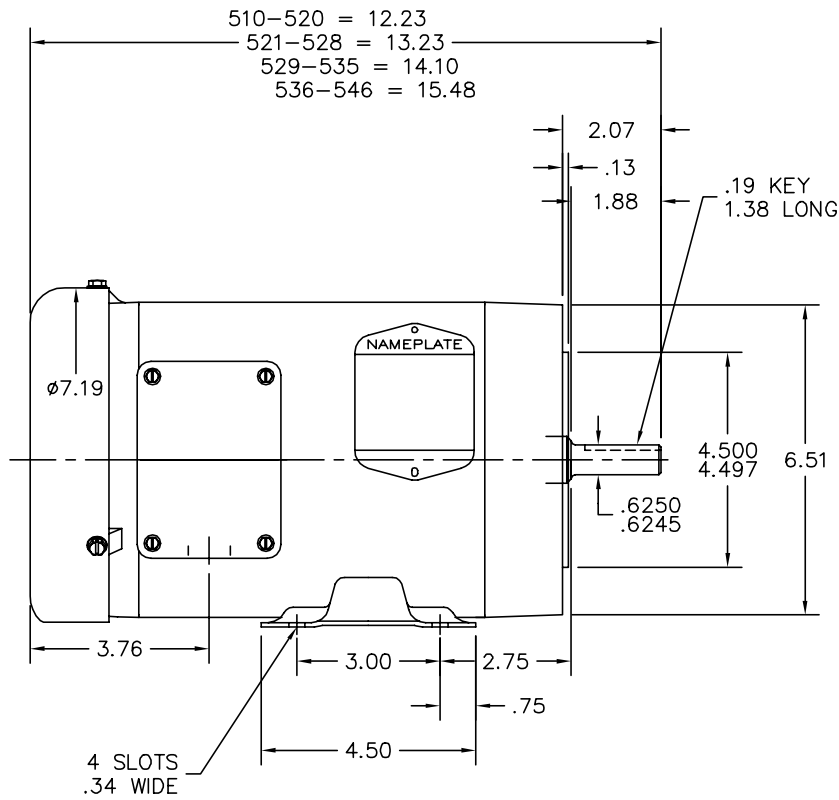
**Nameplate NP1256L**

|              |              |                |      |     |   |       |   |
|--------------|--------------|----------------|------|-----|---|-------|---|
| CAT.NO.      | CM3556       |                |      |     |   |       |   |
| SPEC.        | 35A012N025G1 |                |      |     |   |       |   |
| HP           | 1            |                |      |     |   |       |   |
| VOLTS        | 208-230/460  |                |      |     |   |       |   |
| AMP          | 3.8/1.9      |                |      |     |   |       |   |
| RPM          | 1155         |                |      |     |   |       |   |
| FRAME        | 56C          | HZ             | 60   | PH  | 3 |       |   |
| SER.F.       | 1.15         | CODE           | K    | DES | B | CLASS | B |
| NEMA-NOM-EFF | 78.5         | PF             | 63   |     |   |       |   |
| RATING       | 40C AMB-CONT |                |      |     |   |       |   |
| CC           |              | USABLE AT 208V |      |     |   |       |   |
| DE           | 6205         | ODE            | 6203 |     |   |       |   |
| ENCL         | TEFC         | SN             |      |     |   |       |   |
|              |              |                |      |     |   |       |   |

| Parts List    |  |          |
|---------------|--|----------|
| Part Number   | Description                              | Quantity |
| SA224451      | SA 35A012N025G1                          | 1.000 EA |
| RA211562      | RA 35A012N025G1                          | 1.000 EA |
| 35FN3002A05SP | EXFN, PLASTIC, 6.376 OD, .638 ID         | 1.000 EA |
| NS2512A01     | INSULATOR, CONDUIT BOX X                 | 1.000 EA |
| 35CB3007      | 35 CB CASTING W/.88 DIA. LEAD HOLE       | 1.000 EA |
| 36GS1000SP    | GASKET-CONDUIT BOX, .06 THICK #SV-330 LE | 1.000 EA |
| 51XB1016A07   | 10-16 X 7/16 HXWSSLD SERTYB              | 2.000 EA |
| 11XW1032G06   | 10-32 X .38, TAPTITE II, HEX WSHR SLTD U | 1.000 EA |
| 35EP3100M02   | FREP TEFC 203 BRG W/O GRSR (RAISED FH MT | 1.000 EA |
| HW5100A03SP   | WAVY WASHER (W1543-017)                  | 1.000 EA |
| 35EP3300A33   | SPL FACE MTD EP -ENCL-205 BRG            | 1.000 EA |
| 51XN1032A20   | 10-32 X 1 1/4 HX WS SL SR                | 2.000 EA |
| 51XB1214A16   | 12-14X1.00 HXWSSLD SERTYB                | 1.000 EA |
| 35FH4005A32SP | IEC FH NO GRSR W/3 HOLES - W/AUTOPHERETI | 1.000 EA |
| 51XW1032A06   | 10-32 X .38, TAPTITE II, HEX WSHR SLTD S | 3.000 EA |
| 35CB4521GX    | CONDUIT BOX LID KIT                      | 1.000 EA |
| 51XW0832A07   | 8-32 X .44, TAPTITE II, HEX WSHR SLTD SE | 4.000 EA |
| HW2501D13SP   | KEY, 3/16 SQ X 1.375                     | 1.000 EA |
| HA7000A04     | KEY RETAINER 0.625 DIA SHAFTS            | 1.000 EA |
| 85XU0407S04   | 4X1/4 U DRIVE PIN STAINLESS              | 2.000 EA |
| MJ1000A75     | GREASE, POLYREX EM EXXON                 | 0.050 LB |
| MG1000G27     | PAINT- S9282E CHARCOAL GREY              | 0.017 GA |
| HA3100A12     | THRUBOLT 10-32 X 7.375                   | 4.000 EA |
| LB1125C01     | STD (STOCK) CARTON LABEL BALDOR WITH FLA | 1.000 EA |

| Parts List (continued) |   |          |
|------------------------|---|----------|
| Part Number            | Description                             | Quantity |
| LC0005E01              | CONN.DIA./WARNING LABEL (LC0005/LB1119) | 1.000 EA |
| NP1256L                | ALUM, UL CSA CC, W/O THERMAL, LASER     | 1.000 EA |
| PA1000                 | PACKING GROUP 3500 SHORT                | 1.000 EA |

35LYA012



CUSTOMER IS RESPONSIBLE FOR DETERMINING THAT BALDOR'S PRODUCT WILL PERFORM SUITABLY IN THE INTENDED APPLICATION.

|                                 |             |                              |
|---------------------------------|-------------|------------------------------|
| REV. DESC: UPDATE KOLD GRAPHICS |             |                              |
| REV. LTR: Q                     | VERSION: 05 | TDR: 000000486011            |
| FILE: \AAA\00002\448            |             | REVISED: 13:38:54 12/30/2008 |
| MTL: -                          |             | BY: ENCHEBO                  |

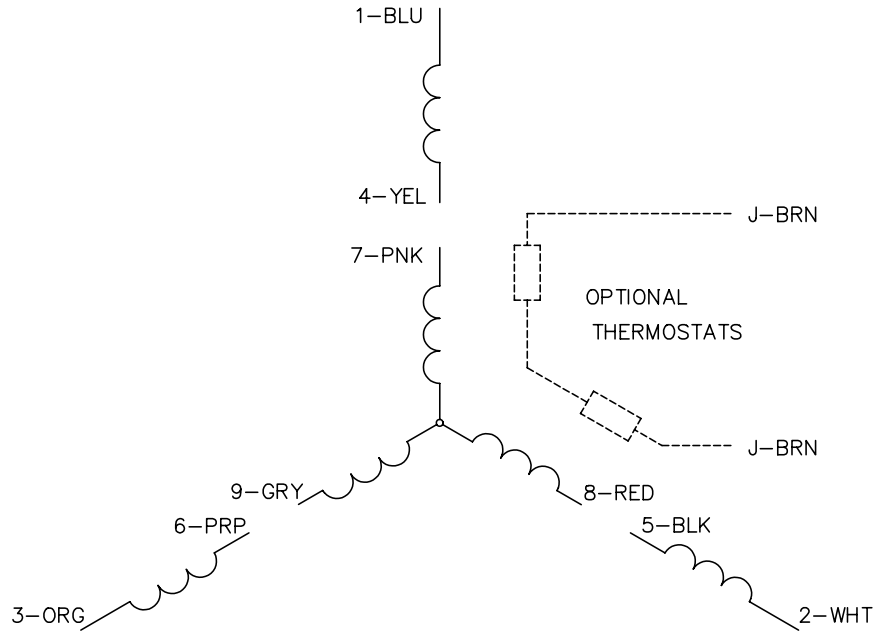
**BALDOR • DODGE • RELIANCE**

STD HORZ 56C TEFC 35M

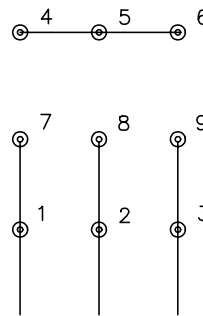
SH 1 of 1

35LYA012

CD0005

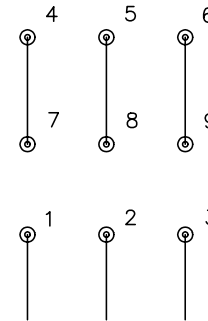


LOW VOLTAGE  
(2Y)



LINE

HIGH VOLTAGE  
(1Y)



LINE

NOTES:

1. INTERCHANGE ANY TWO LINE LEADS TO REVERSE ROTATION.
2. OPTIONAL THERMOSTATS ARE PROVIDED WHEN SPECIFIED.
3. ACTUAL NUMBER OF INTERNAL PARALLEL CIRCUITS MAY BE A MULTIPLE OF THOSE SHOWN ABOVE.
4. LEAD COLORS ARE OPTIONAL. LEADS MUST ALWAYS BE NUMBERED AS SHOWN.

|   |         |                         |              |
|---|---------|-------------------------|--------------|
| REV. DESC: REVISE TO SHOW OPTIONAL COLORS |         |                         |              |
| REV. LTR: E                               | BY: JLP | REVISED: 01/19/99 10:15 | TDR: 0171435 |
| 900000                                    |         | FILE: AAA00005140       | MDL: -       |
|   |         | MTL: -                  |              |

**BALDOR ELECTRIC Co.**

3PH, DV, 9 LEADS

CD0005