

BALDOR® • RELIANCE

Product Information Packet

ELECTRIC MOTOR WHOLESAL.COM

CM3614T

2HP,1160RPM,3PH,60HZ,184TC,3632M,TEFC,F1

Part Detail							
Revision:	R	Status:	INA/A	Change #:		Proprietary:	No
Type:	AC	Prod. Type:	3632M	Elec. Spec:	36WGX868	CD Diagram:	
Enclosure:	TEFC	Mfg Plant:		Mech. Spec:	36A002	Layout:	
Frame:	184TC	Mounting:	F1	Poles:	06	Created Date:	
Base:	RG	Rotation:	R	Insulation:	B	Eff. Date:	04-29-2011
Leads:	9#16	Literature:		Elec. Diagram:		Replaced By:	

Nameplate NP1256L

CAT.NO.							
SPEC.	36A002X868H1						
HP	2						
VOLTS	208-230/460						
AMP	7.6-7/3.5						
RPM	1160						
FRAME	184TC	HZ	60	PH	3		
SER.F.	1.15	CODE	J	DES	B	CLASS	B
NEMA-NOM-EFF	86.5	PF	63				
RATING	40C AMB-CONT						
CC	010A	USABLE AT 208V	7.6				
DE	6206	ODE	6205				
ENCL	TEFC	SN					

Parts List		
Part Number	Description	Quantity
SA033733	SA 36A002X868H1	1.000 EA
RA029761	RA 36A002X868H1	1.000 EA
36CB3004	36 CB CASTING W/1.09 DIA LEAD HOLE @ 6:0	1.000 EA
36GS1000SP	GASKET-CONDUIT BOX, .06 THICK #SV-330 LE	1.000 EA
51XB1016A08	10-16X 1/2HXWSSLD SERTYB	2.000 EA
11XW1032G06	10-32 X .38, TAPTITE II, HEX WSHR SLTD U	1.000 EA
HW3001B01	003SS CUP WASHER, FOR #8 SCREW	1.000 EA
36EP3104A01	FREP MACH W/GRSR, RAISED FH PADS	1.000 EA
HW4500A01	1641B(ALEMITE)400 UNIV, GREASE FITT	1.000 EA
HW5100A05	WVY WSHR F/205 & 304 BRGS	1.000 EA
36EP3301A23	PU ENDPLATE, ENCL. 182-4TC 206 BRG. W/GR	1.000 EA
HW4500A01	1641B(ALEMITE)400 UNIV, GREASE FITT	1.000 EA
10XN2520A28	1/4-20X 1 3/4 HEX HD	4.000 EA
HW1001A25	LOCKWASHER 1/4, ZINC PLT .493 OD, .255 I	4.000 EA
51XB1214A16	12-14X1.00 HXWSSLD SERTYB	1.000 EA
36FH4009A102SP	IEC FH GREASER W/AUTOPHERETIC PRIMER	1.000 EA
51XW1032A06	10-32 X .38, TAPTITE II, HEX WSHR SLTD S	3.000 EA
36CB4516	36 LIPPED CB LID	1.000 EA
37GS1001SP	GASKET, CONDUIT BOX LID, .06 THICK LEXID	1.000 EA
51XW0832A07	8-32 X .44, TAPTITE II, HEX WSHR SLTD SE	4.000 EA
HW2501E16	KEY, 1/4 SQ X 1.750	1.000 EA
HA7000A02	KEY RETAINER RING, 1 1/8 DIA, 1 3/8 DIA	1.000 EA
85XU0407S04	4X1/4 U DRIVE PIN STAINLESS	2.000 EA
MJ1000A75	GREASE, POLYREX EM EXXON	0.050 LB

Parts List (continued)		
Part Number	Description	Quantity
MG1000G27	PAINT- S9282E CHARCOAL GREY	0.022 GA
S/P101-000-000	EPACT PROCEDURES-FS PLANT-POLYREX EM, NO	1.000 EA
HA3101A25	THRUBOLT 1/4-20 X 11.000 OHIO ROD	4.000 EA
36FN3000C01SP	EXFN, PLASTIC, 5.25 OD, .912 ID	1.000 EA
LB1125C04	STD-E (STOCK CTN LABEL STD-E WITH FLAG)	1.000 EA
LC0005E01	CONN.DIA./WARNING LABEL (LC0005/LB1119)	1.000 EA
NP1256L	ALUM, UL CSA CC, W/O THERMAL, LASER	1.000 EA
36PA1000	PACK GROUP W/LB5001	1.000 EA

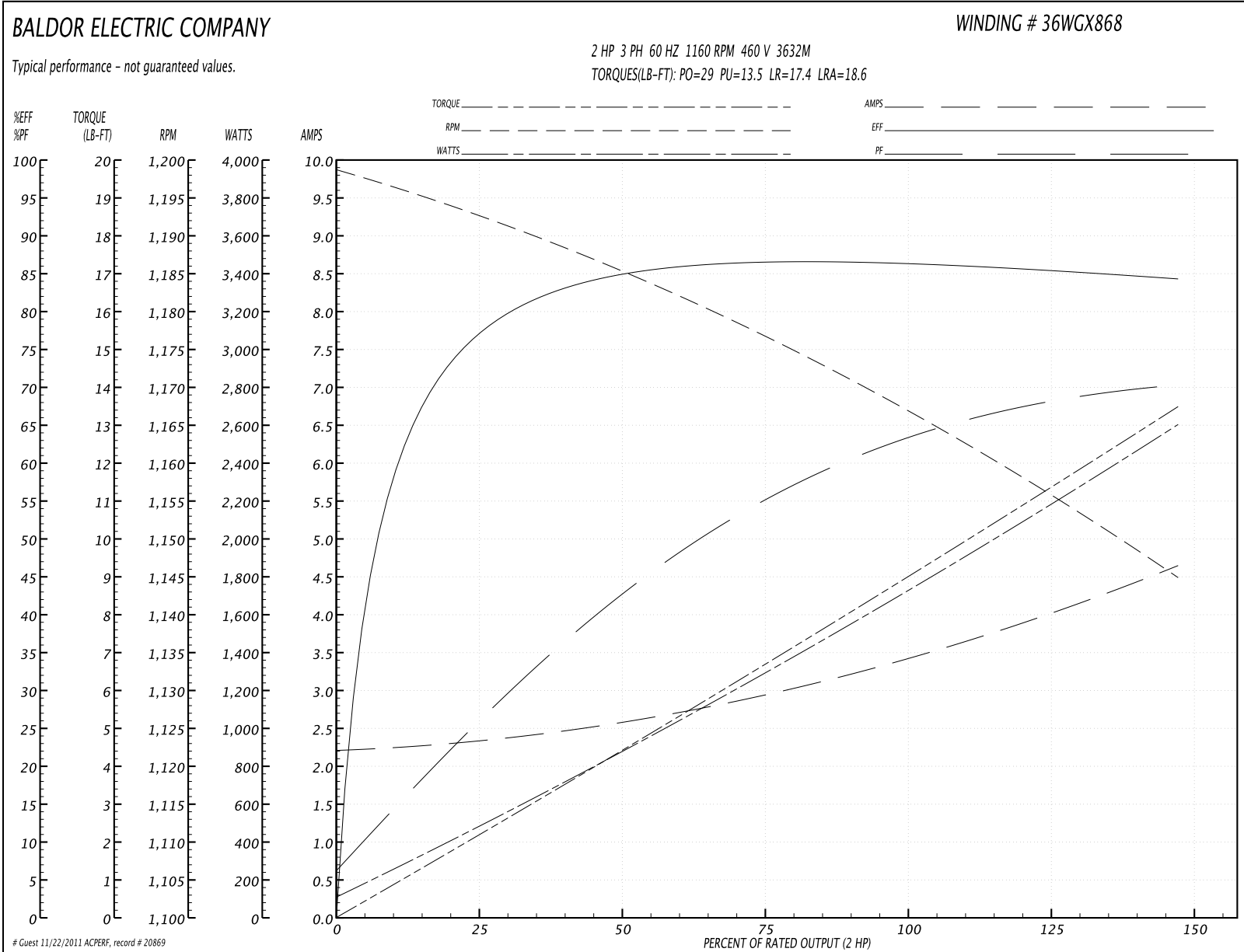
Performance Data at 460V, 60Hz, 2.0HP (Typical performance - Not guaranteed values)
General Characteristics

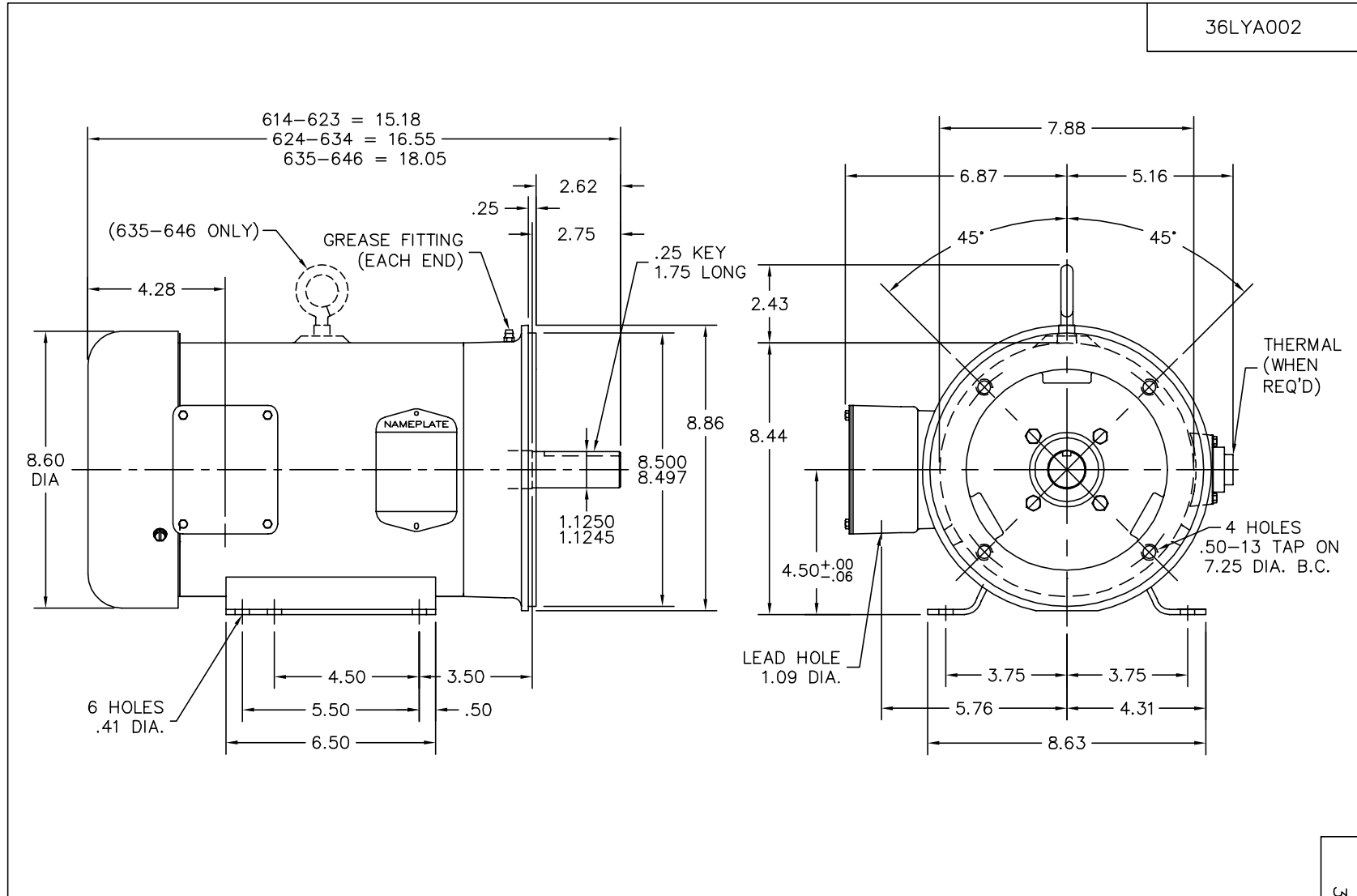
Full Load Torque:	9.0 LB-FT	Start Configuration:	DOL
No-Load Current:	2.2 Amps	Break-Down Torque:	29.0 LB-FT
Line-line Res. @ 25°C.:	5.8 Ohms A Ph / 0.0 Ohms B Ph	Pull-Up Torque:	13.5 LB-FT
Temp. Rise @ Rated Load:	45 C	Locked-Rotor Torque:	17.4 LB-FT
Temp. Rise @ S.F. Load:	53 C	Starting Current:	18.6 Amps

Load Characteristics

% of Rated Load	25	50	75	100	125	150	S.F.
Power Factor:	26.0	43.0	55.0	64.0	68.0	72.0	66.0
Efficiency:	76.9	84.3	86.6	86.5	85.8	84.1	86.1
Speed:	1192.0	1185.0	1177.0	1167.0	1156.0	1145.0	1160.0
Line Amperes:	2.35	2.6	2.95	3.4	4.0	4.65	3.76

Performance Graph at 460V, 60Hz, 2.0HP Typical performance - Not guaranteed values





CUSTOMER IS RESPONSIBLE FOR DETERMINING THAT MOTOR PERFORMANCE IS SUITABLE IN THE APPLICATION.

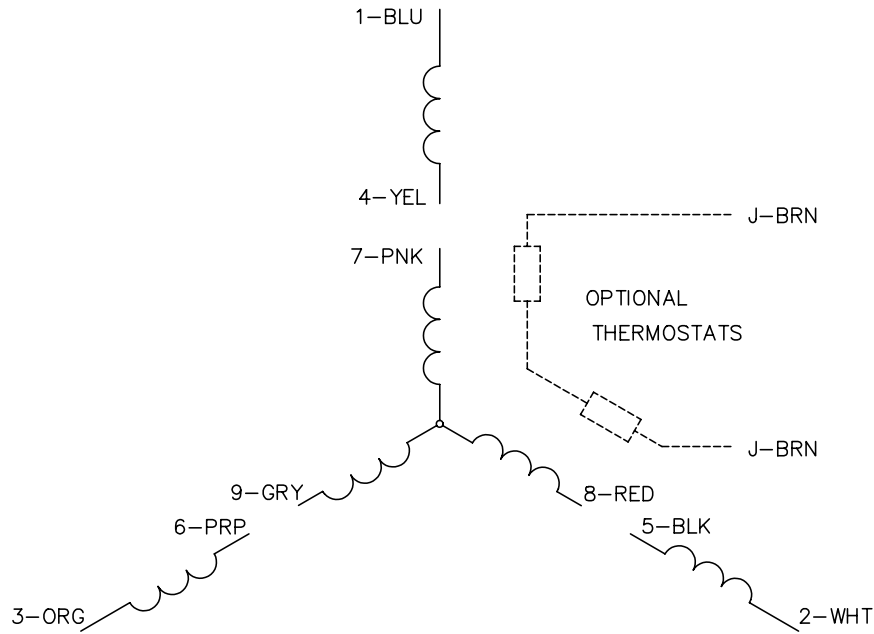
REV. DESC: FREEZE LINES SHOWING THROUGH CAPACITOR/KO BOX		
REV. LTR: K	VERSION: 04	TDR: 000000384004
36LYA002	FILE: \AAA\00003\161	REVISED: 14:56:41 12/22/2005
	MTL: -	BY: ENCHRCO

BALDOR ELECTRIC Co.

STD HORZ FACE MTD 182-4TC TEFC 36M

36LYA002

CD0005

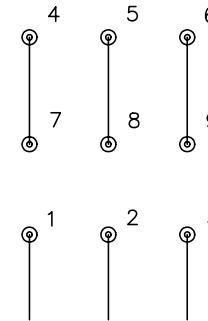


LOW VOLTAGE
(2Y)



LINE

HIGH VOLTAGE
(1Y)



LINE

NOTES:

1. INTERCHANGE ANY TWO LINE LEADS TO REVERSE ROTATION.
2. OPTIONAL THERMOSTATS ARE PROVIDED WHEN SPECIFIED.
3. ACTUAL NUMBER OF INTERNAL PARALLEL CIRCUITS MAY BE A MULTIPLE OF THOSE SHOWN ABOVE.
4. LEAD COLORS ARE OPTIONAL. LEADS MUST ALWAYS BE NUMBERED AS SHOWN.

REV. DESC: REVISE TO SHOW OPTIONAL COLORS			
REV. LTR: E	BY: JLP	REVISED: 01/19/99 10:15	TDR: 0171435
90000		FILE: AAA00005140	MDL: -
		MTL: -	

BALDOR ELECTRIC Co.

3PH, DV, 9 LEADS

CD0005