

BALDOR® • RELIANCE

Product Information Packet

ELECTRIC MOTOR WHOLESAL.COM

CM3616T

7.5HP,3450RPM,3PH,60HZ,184TC,3640M,TEFC

Part Detail							
Revision:	R	Status:	INA/A	Change #:		Proprietary:	No
Type:	AC	Prod. Type:	3640M	Elec. Spec:	36WGX875	CD Diagram:	
Enclosure:	TEFC	Mfg Plant:		Mech. Spec:	36A002	Layout:	
Frame:	184TC	Mounting:	F1	Poles:	02	Created Date:	
Base:	RG	Rotation:	R	Insulation:	F	Eff. Date:	05-05-2009
Leads:	9#16	Literature:		Elec. Diagram:		Replaced By:	

Nameplate NP1256L									
CAT.NO.	CM3616T								
SPEC.	36A002X875H1								
HP	7.5								
VOLTS	208-230/460								
AMP	18.5-17.4/8.7								
RPM	3450								
FRAME	184TC	HZ			60	PH	3		
SER.F.	1.15	CODE			M	DES	A	CLASS	F
NEMA-NOM-EFF	88.5	PF			93				
RATING	40C AMB-CONT								
CC	010A	USABLE AT 208V			18.5				
DE	6206	ODE			6205				
ENCL	TEFC	SN							

Parts List		
Part Number	Description	Quantity
SA033736	SA 36A002X875H1	1.000 EA
RA029764	RA 36A002X875H1	1.000 EA
36CB3004	36 CB CASTING W/1.09 DIA LEAD HOLE @ 6:0	1.000 EA
36GS1000SP	GASKET-CONDUIT BOX, .06 THICK #SV-330 LE	1.000 EA
51XB1016A08	10-16X 1/2HXWSSLD SERTYB	2.000 EA
11XW1032G06	10-32 X .38, TAPTITE II, HEX WSHR SLTD U	1.000 EA
HW3001B01	003SS CUP WASHER, FOR #8 SCREW	1.000 EA
36EP3104A01	FREP MACH W/GRSR, RAISED FH PADS	1.000 EA
HW4500A01	1641B(ALEMITE)400 UNIV, GREASE FITT	1.000 EA
HW5100A05	WVY WSHR F/205 & 304 BRGS	1.000 EA
36EP3301A23	PU ENDPLATE, ENCL. 182-4TC 206 BRG. W/GR	1.000 EA
HW4500A01	1641B(ALEMITE)400 UNIV, GREASE FITT	1.000 EA
10XN2520A28	1/4-20X 1 3/4 HEX HD	4.000 EA
HW1001A25	LOCKWASHER 1/4, ZINC PLT .493 OD, .255 I	4.000 EA
51XB1214A16	12-14X1.00 HXWSSLD SERTYB	1.000 EA
36FH4009A102SP	IEC FH GREASER W/AUTOPHERETIC PRIMER	1.000 EA
51XW1032A06	10-32 X .38, TAPTITE II, HEX WSHR SLTD S	3.000 EA
36CB4516	36 LIPPED CB LID	1.000 EA
37GS1001SP	GASKET, CONDUIT BOX LID, .06 THICK LEXID	1.000 EA
51XW0832A07	8-32 X .44, TAPTITE II, HEX WSHR SLTD SE	4.000 EA
HW2501E16	KEY, 1/4 SQ X 1.750	1.000 EA
HA7000A02	KEY RETAINER RING, 1 1/8 DIA, 1 3/8 DIA	1.000 EA
85XU0407S04	4X1/4 U DRIVE PIN STAINLESS	2.000 EA
HW3200A01	3/8-16X3/4 I-BLT WELDED F/S	1.000 EA

Parts List (continued)		
Part Number	Description	Quantity
MJ1000A75	GREASE, POLYREX EM EXXON	0.050 LB
MG1000G27	PAINT- S9282E CHARCOAL GREY	0.022 GA
S/P101-000-000	EPACT PROCEDURES-FS PLANT-POLYREX EM, NO	1.000 EA
HA3101A28	THRUBOLT 1/4-20 X 12.500 OHIO ROD	4.000 EA
36FN3000C01SP	EXFN, PLASTIC, 5.25 OD, .912 ID	1.000 EA
LB1125C04	STD-E (STOCK CTN LABEL STD-E WITH FLAG)	1.000 EA
LB1115	LABEL,LIFTING DEVICE	1.000 EA
LC0005E01	CONN.DIA./WARNING LABEL (LC0005/LB1119)	1.000 EA
NP1256L	ALUM, UL CSA CC, W/O THERMAL, LASER	1.000 EA
36PA1001	PACKAGING GROUP	1.000 EA

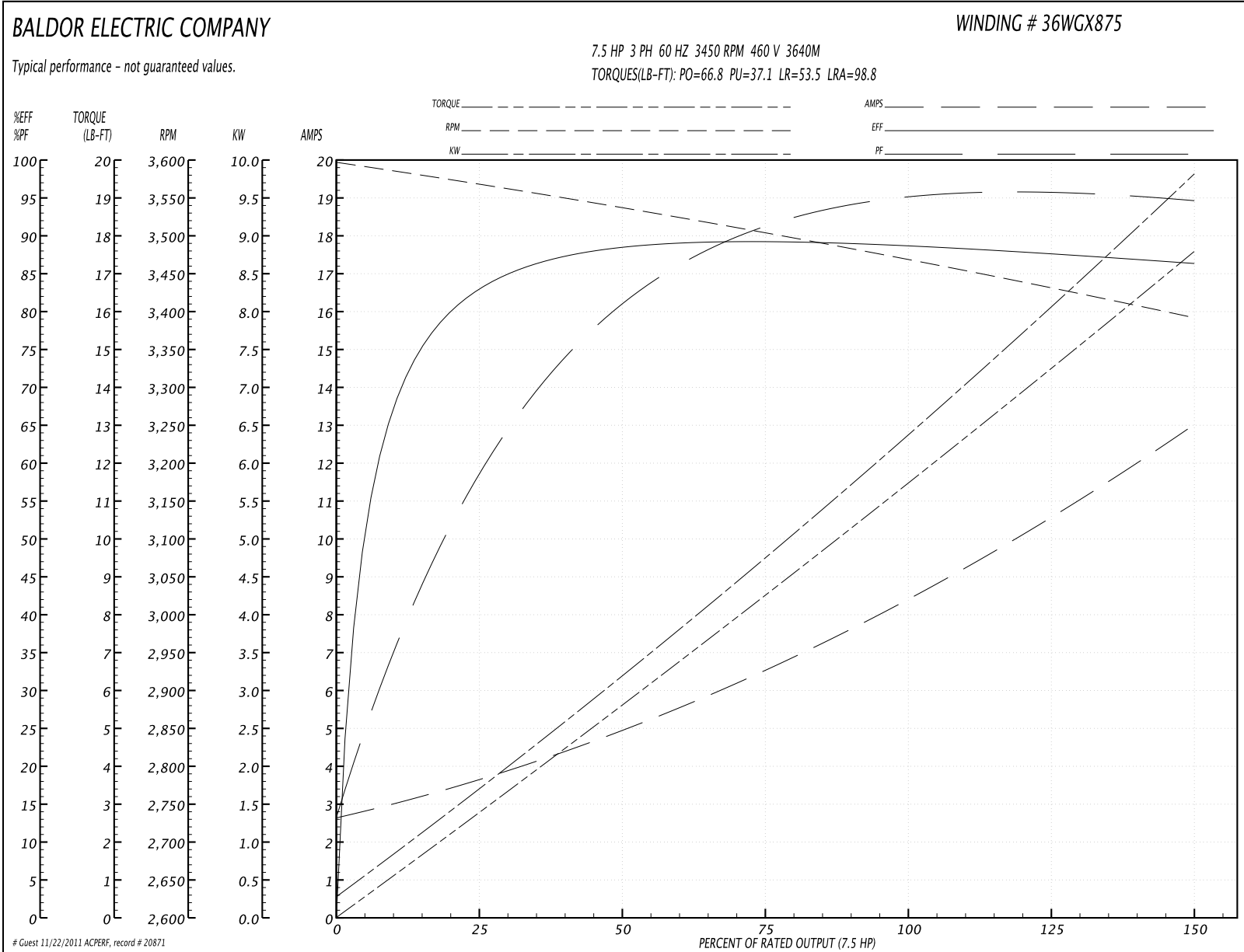
Performance Data at 460V, 60Hz, 7.5HP (Typical performance - Not guaranteed values)
General Characteristics

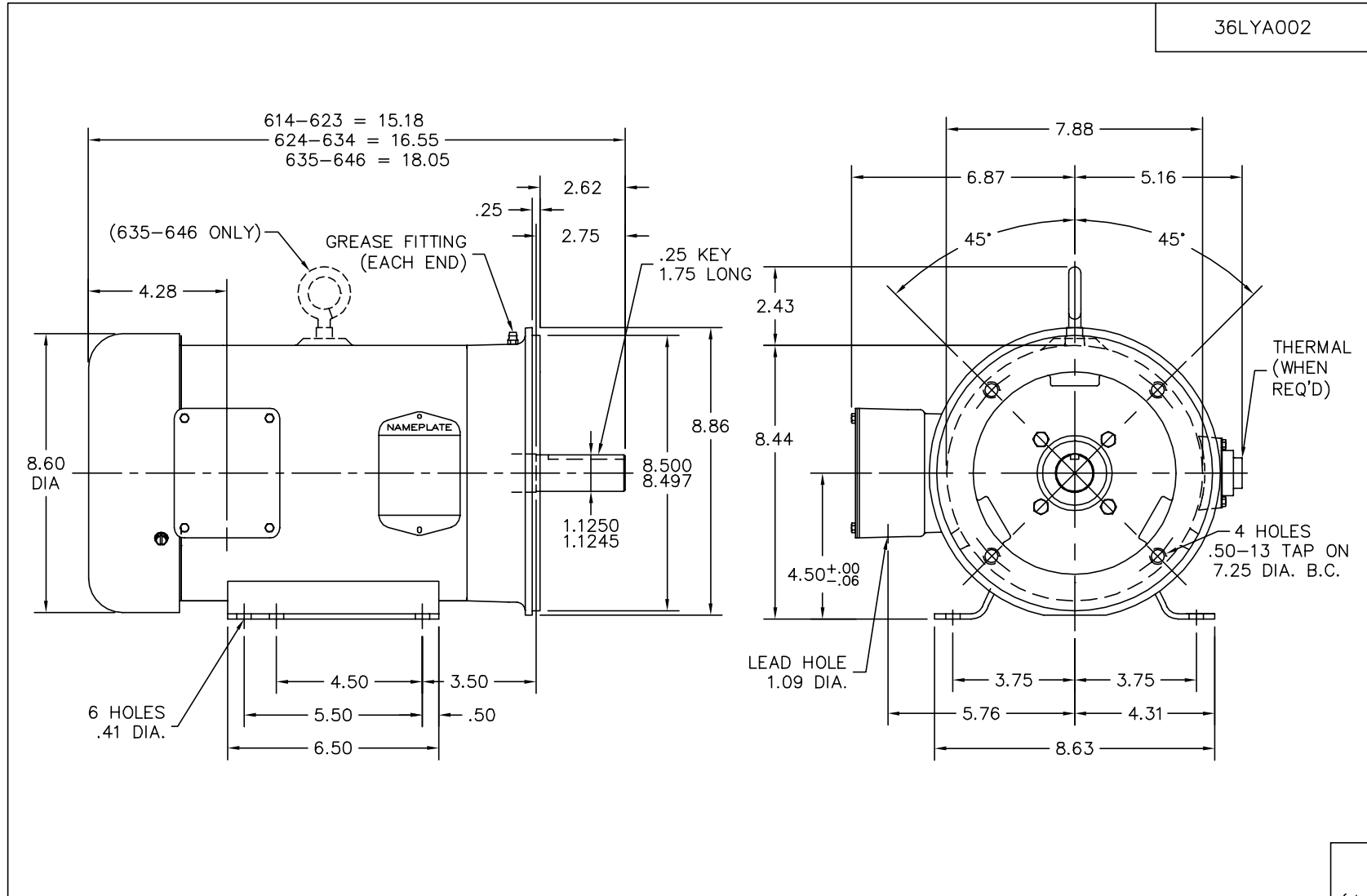
Full Load Torque:	11.5 LB-FT	Start Configuration:	DOL
No-Load Current:	2.78 Amps	Break-Down Torque:	66.8 LB-FT
Line-line Res. @ 25°C.:	1.45 Ohms A Ph / 0.0 Ohms B Ph	Pull-Up Torque:	37.1 LB-FT
Temp. Rise @ Rated Load:	74 C	Locked-Rotor Torque:	53.5 LB-FT
Temp. Rise @ S.F. Load:	91 C	Starting Current:	98.8 Amps

Load Characteristics

% of Rated Load	25	50	75	100	125	150	S.F.
Power Factor:	63.0	83.0	91.0	94.0	95.0	96.0	95.0
Efficiency:	83.3	88.4	89.3	88.7	87.6	86.1	88.0
Speed:	3564.0	3535.0	3506.0	3468.0	3432.0	3391.0	3446.0
Line Amperes:	3.51	4.89	6.61	8.52	10.7	12.9	9.83

Performance Graph at 460V, 60Hz, 7.5HP Typical performance - Not guaranteed values





CUSTOMER IS RESPONSIBLE FOR DETERMINING THAT MOTOR PERFORMANCE IS SUITABLE IN THE APPLICATION.

REV. DESC: FREEZE LINES SHOWING THROUGH CAPACITOR/KO BOX

REV. LTR: K

VERSION: 04

TDR: 000000384004

BALDOR ELECTRIC Co.

36LYA002

FILE: \AAA\00003\161

REVISED: 14:56:41 12/22/2005

MTL: -

BY: ENCHRCO

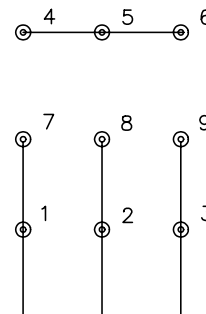
STD HORZ FACE MTD 182-4TC TEFC 36M

36LYA002

CD0005



LOW VOLTAGE
(2Y)



LINE

HIGH VOLTAGE
(1Y)



LINE

NOTES:

1. INTERCHANGE ANY TWO LINE LEADS TO REVERSE ROTATION.
2. OPTIONAL THERMOSTATS ARE PROVIDED WHEN SPECIFIED.
3. ACTUAL NUMBER OF INTERNAL PARALLEL CIRCUITS MAY BE A MULTIPLE OF THOSE SHOWN ABOVE.
4. LEAD COLORS ARE OPTIONAL. LEADS MUST ALWAYS BE NUMBERED AS SHOWN.

REV. DESC: REVISE TO SHOW OPTIONAL COLORS			
REV. LTR: E	BY: JLP	REVISED: 01/19/99 10:15	TDR: 0171435
90000		FILE: AAA00005140	MDL: -
		MTL: -	

BALDOR ELECTRIC Co.

3PH, DV, 9 LEADS

CD0005