

# **BALDOR® • RELIANCE**

**Product Information Packet**

**ELECTRIC MOTOR WHOLESAL.COM**

**CM3711T**

**10HP,3500RPM,3PH,60HZ,215TC,3732M,TEFC**

Part Detail							
Revision:	L	Status:	INA/A	Change #:		Proprietary:	No
Type:	AC	Prod. Type:	3732M	Elec. Spec:	37WGT223	CD Diagram:	
Enclosure:	TEFC	Mfg Plant:		Mech. Spec:	37G814	Layout:	
Frame:	215TC	Mounting:	F1	Poles:	02	Created Date:	
Base:	RG	Rotation:	R	Insulation:	F	Eff. Date:	05-13-2009
Leads:	9#14	Literature:		Elec. Diagram:		Replaced By:	

**Nameplate NP1256L**

CAT.NO.	CM3711T						
SPEC.	37G814T223H1						
HP	10						
VOLTS	208-230/460						
AMP	25-23/11.5						
RPM	3500						
FRAME	215TC	HZ	60	PH	3		
SER.F.	1.15	CODE	H	DES	B	CLASS	F
NEMA-NOM-EFF	89.5	PF	91				
RATING	40C AMB-CONT						
CC	010A	USABLE AT 208V	25				
DE	6307	ODE	6206				
ENCL	TEFC	SN					

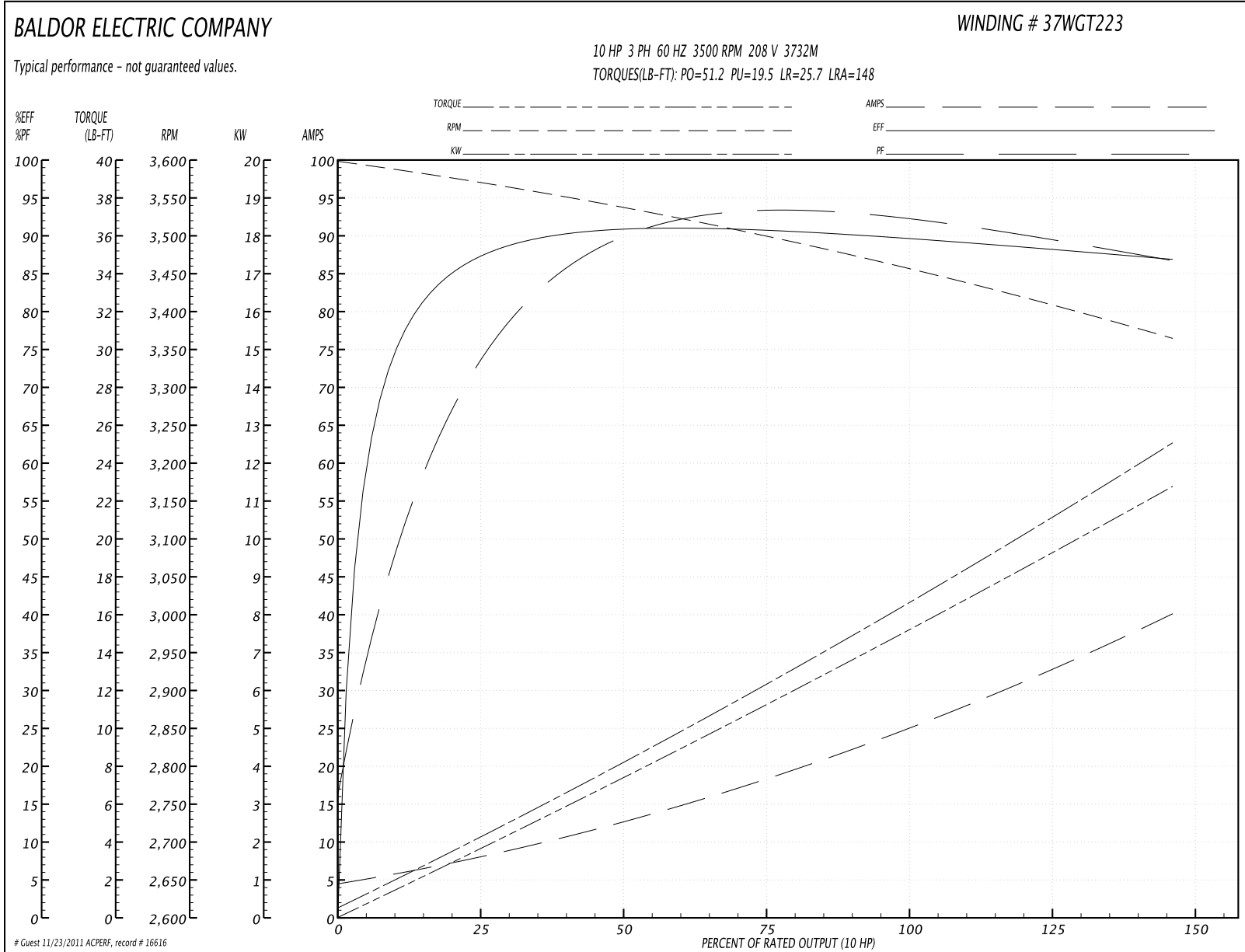
Parts List		
Part Number	Description	Quantity
SA068280	SA 37G814T223H1	1.000 EA
RA062278	RA 37G814T223H1	1.000 EA
36FN3000C02	EXFN, PLASTIC, 5.25 OD, 1.175 ID	1.000 EA
S/P101-000-000	EPACT PROCEDURES-FS PLANT-POLYREX EM, NO	1.000 EA
HW3200A01	3/8-16X3/4 I-BLT WELDED F/S	1.000 EA
37CB3006	37 CB CASTING W/1.38 LEAD HOLE @ 6:00	1.000 EA
37GS1000SP	GASKET, CONDUIT BOX STD., .06 THICK LEXI	1.000 EA
51XW2520A12	.25-20 X .75, TAPTITE II, HEX WSHR SLTD	2.000 EA
11XW1032G06	10-32 X .38, TAPTITE II, HEX WSHR SLTD U	1.000 EA
37EP3101A01SP	FR ENDPLATE,TEFC, 37 L&M, W/GREASER	1.000 EA
HW4500A01	1641B(ALEMITE)400 UNIV, GREASE FITT	1.000 EA
HW5100A06	W2420-025 WVY WSHR (WB)	1.000 EA
37EP3300A01	FACE MT ENDPLATE-ENCL-307 BRG-213TC-215T	1.000 EA
HW4500A01	1641B(ALEMITE)400 UNIV, GREASE FITT	1.000 EA
10XN2520A30	HEX HD CAP SCREW-STD THD-.25 X 20 THD PE	4.000 EA
HW1001A25	LOCKWASHER 1/4, ZINC PLT .493 OD, .255 I	4.000 EA
XY3118A12	5/16-18 HEX NUT DIRECTIONAL SERRATION	4.000 EA
51XB1214A20	12-14X1.25 HXWSSLD SERTYB	1.000 EA
07FH4007SP	IEC FH W/GRSR, NOTCH @ 6:00 & 3 FAN CVR	1.000 EA
51XW1032A06	10-32 X .38, TAPTITE II, HEX WSHR SLTD S	3.000 EA
37CB4516	LIPPED LID FOR 37 FRAME NEC KOBX	1.000 EA
37GS1008SP	37 GS FOR CB LID - LEXIDE	1.000 EA
51XW0832A07	8-32 X .44, TAPTITE II, HEX WSHR SLTD SE	4.000 EA
HW2501F21	KEY, 5/16 SQ X 2.375	1.000 EA

Parts List (continued)		
Part Number	Description	Quantity
HA7000A02	KEY RETAINER RING, 1 1/8 DIA, 1 3/8 DIA	1.000 EA
85XU0407S04	4X1/4 U DRIVE PIN STAINLESS	2.000 EA
LB1115	LABEL,LIFTING DEVICE	1.000 EA
MJ1000A75	GREASE, POLYREX EM EXXON	0.050 LB
MG1000G27	PAINT- S9282E CHARCOAL GREY	0.028 GA
HA3104A14	THRUBOLT- 5/16-18 X12.125(OHIO)	4.000 EA
LB1125C04	STD-E (STOCK CTN LABEL STD-E WITH FLAG)	1.000 EA
LC0005E01	CONN.DIA./WARNING LABEL (LC0005/LB1119)	1.000 EA
NP1256L	ALUM, UL CSA CC, W/O THERMAL, LASER	1.000 EA
36PA1001	PACKAGING GROUP	1.000 EA

**Performance Data at 208V, 60Hz, 10.0HP (Typical performance - Not guaranteed values)**

General Characteristics							
Full Load Torque:	15.1 LB-FT			Start Configuration:	DOL		
No-Load Current:	4.87 Amps			Break-Down Torque:	51.2 LB-FT		
Line-line Res. @ 25°C.:	0.246 Ohms A Ph / 0.0 Ohms B Ph			Pull-Up Torque:	19.5 LB-FT		
Temp. Rise @ Rated Load:	73 C			Locked-Rotor Torque:	25.7 LB-FT		
Temp. Rise @ S.F. Load:	84 C			Starting Current:	148.0 Amps		
Load Characteristics							
% of Rated Load	25	50	75	100	125	150	S.F.
Power Factor:	81.0	92.0	91.0	92.0	90.0	87.0	91.0
Efficiency:	86.9	90.5	90.8	89.9	88.3	86.8	88.9
Speed:	3571.0	3535.0	3499.0	3458.0	3414.0	3364.0	3432.0
Line Amperes:	7.55	12.6	18.8	25.0	32.1	40.0	29.3

Performance Graph at 208V, 60Hz, 10.0HP Typical performance - Not guaranteed values



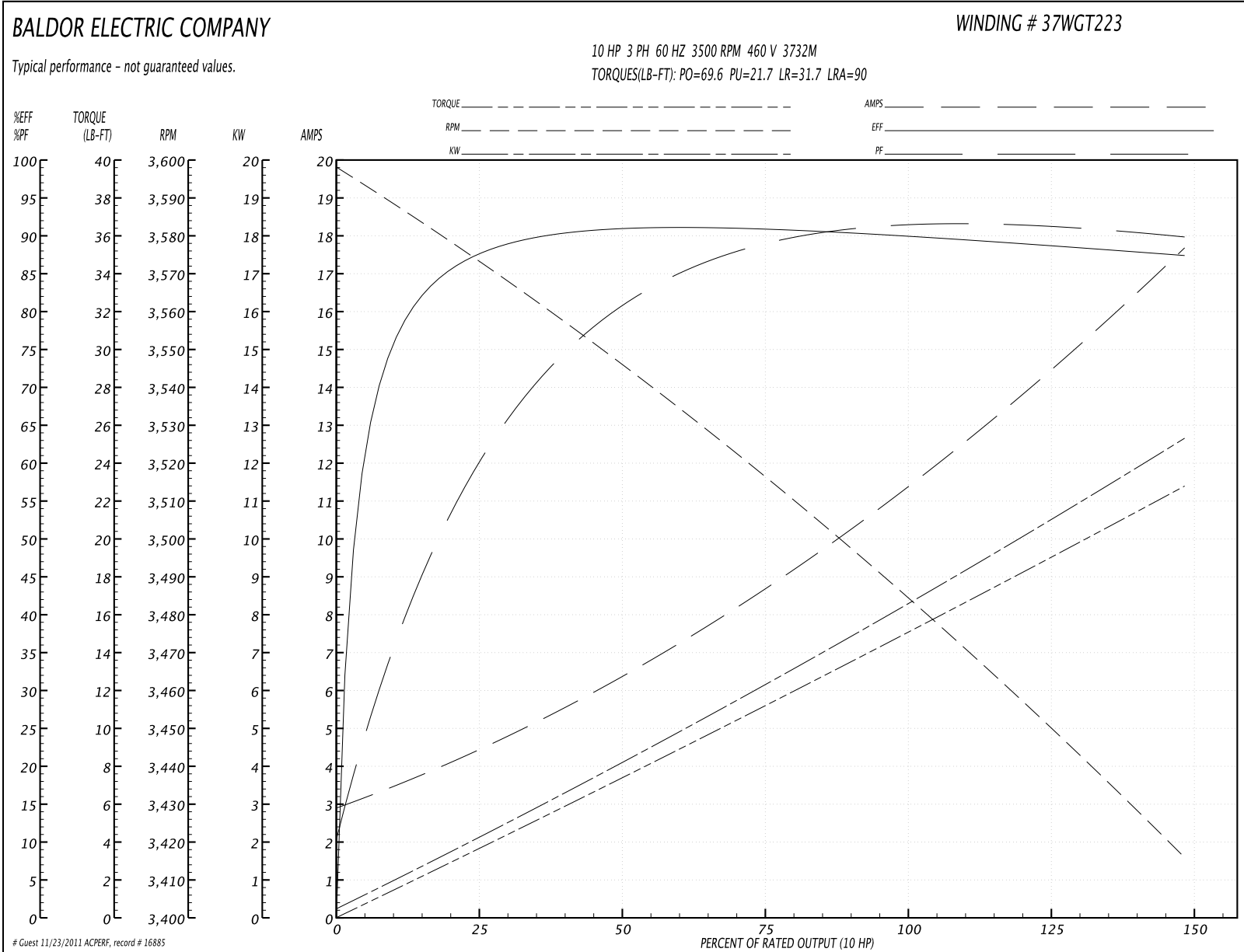
**Performance Data at 460V, 60Hz, 10.0HP (Typical performance - Not guaranteed values)**
**General Characteristics**

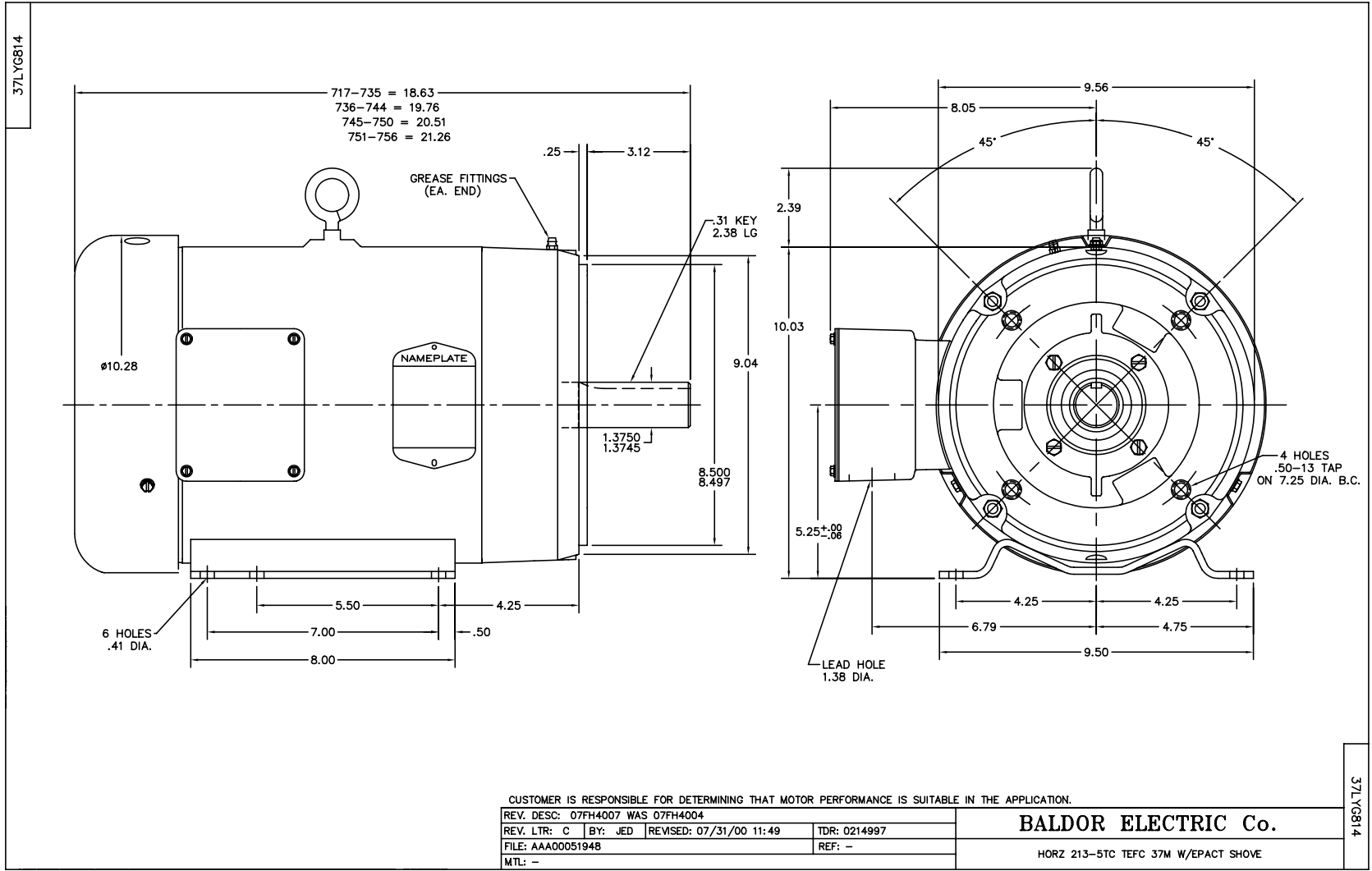
<b>Full Load Torque:</b>	14.9 LB-FT	<b>Start Configuration:</b>	DOL
<b>No-Load Current:</b>	3.16 Amps	<b>Break-Down Torque:</b>	69.6 LB-FT
<b>Line-line Res. @ 25°C.:</b>	0.984 Ohms A Ph / 0.0 Ohms B Ph	<b>Pull-Up Torque:</b>	21.7 LB-FT
<b>Temp. Rise @ Rated Load:</b>	67 C	<b>Locked-Rotor Torque:</b>	31.7 LB-FT
<b>Temp. Rise @ S.F. Load:</b>	84 C	<b>Starting Current:</b>	90.0 Amps

**Load Characteristics**

<b>% of Rated Load</b>	<b>25</b>	<b>50</b>	<b>75</b>	<b>100</b>	<b>125</b>	<b>150</b>	<b>S.F.</b>
<b>Power Factor:</b>	61.0	82.0	88.0	90.0	91.0	90.0	91.0
<b>Efficiency:</b>	86.3	90.9	91.2	90.3	89.0	87.3	89.5
<b>Speed:</b>	3575.0	3548.0	3520.0	3487.0	3453.0	3416.0	3467.0
<b>Line Amperes:</b>	3.92	6.06	8.48	11.4	14.3	17.5	13.1

Performance Graph at 460V, 60Hz, 10.0HP Typical performance - Not guaranteed values





CD0005



LOW VOLTAGE  
(2Y)



LINE

HIGH VOLTAGE  
(1Y)



LINE

NOTES:

1. INTERCHANGE ANY TWO LINE LEADS TO REVERSE ROTATION.
2. OPTIONAL THERMOSTATS ARE PROVIDED WHEN SPECIFIED.
3. ACTUAL NUMBER OF INTERNAL PARALLEL CIRCUITS MAY BE A MULTIPLE OF THOSE SHOWN ABOVE.
4. LEAD COLORS ARE OPTIONAL. LEADS MUST ALWAYS BE NUMBERED AS SHOWN.

REV. DESC: REVISE TO SHOW OPTIONAL COLORS			
REV. LTR: E	BY: JLP	REVISED: 01/19/99 10:15	TDR: 0171435
9000D		FILE: AAA00005140	MDL: -
		MTL: -	

**BALDOR ELECTRIC Co.**

3PH, DV, 9 LEADS

CD0005