

BALDOR® • RELIANCE

Product Information Packet

ELECTRIC MOTOR WHOLESAL.COM

CM4106T

20HP,3450RPM,3PH,60HZ,256TC,0750M,TEFC

Part Detail							
Revision:	K	Status:	INA/A	Change #:		Proprietary:	No
Type:	AC	Prod. Type:	0750M	Elec. Spec:	07WGX144	CD Diagram:	
Enclosure:	TEFC	Mfg Plant:		Mech. Spec:	07H282	Layout:	
Frame:	256TC	Mounting:	F1	Poles:	02	Created Date:	
Base:	RG	Rotation:	R	Insulation:	F	Eff. Date:	09-07-2011
Leads:	9#12	Literature:		Elec. Diagram:		Replaced By:	07SH1664A01

Nameplate NP1256L

CAT.NO.							
SPEC.	07H282X144H1						
HP	20						
VOLTS	208-230/460						
AMP	47-46/23						
RPM	3450						
FRAME	256TC	HZ	60	PH	3		
SER.F.	1.15	CODE	K	DES	A	CLASS	F
NEMA-NOM-EFF	90.2	PF	90				
RATING	40C AMB-CONT						
CC	010A	USABLE AT 208V	47				
DE	6309	ODE	6307				
ENCL	TEFC	SN					

Parts List		
Part Number	Description	Quantity
SA071369	SA 07H282X144H1	1.000 EA
RA065217	RA 07H282X144H1	1.000 EA
36FN3000C02	EXFN, PLASTIC, 5.25 OD, 1.175 ID	1.000 EA
S/P101-000-000	EPACT PROCEDURES-FS PLANT-POLYREX EM, NO	1.000 EA
HW3201A01	1/2-13 EYEBOLT	1.000 EA
09CB3002SP	CB W/1.38 LEAD HOLE FOR 37, 39, 307 & 30	1.000 EA
09GS1000SP	GASKET-CONDUIT BOX, 1/16 THICK LEXIDE	1.000 EA
51XW2520A12	.25-20 X .75, TAPTITE II, HEX WSHR SLTD	2.000 EA
WD1000B17	KPA-8C BURNDY TERMINAL	1.000 EA
51XW1032A06	10-32 X .38, TAPTITE II, HEX WSHR SLTD S	1.000 EA
37EP1101A03	FR/PU ENDPLATE, MACH	1.000 EA
HW4500A01	1641B(ALEMITE)400 UNIV, GREASE FITT	1.000 EA
HW5100A08	W3118-035 WVY WSHR (WB)	1.000 EA
07EP1306A01	ENDPLATE, MACH	1.000 EA
HW4500A01	1641B(ALEMITE)400 UNIV, GREASE FITT	1.000 EA
10XN2520A36	1/4-20X 2 1/4 HEX HD X	4.000 EA
HW1001A25	LOCKWASHER 1/4, ZINC PLT .493 OD, .255 I	4.000 EA
XY3118A12	5/16-18 HEX NUT DIRECTIONAL SERRATION	4.000 EA
51XB1214A20	12-14X1.25 HXWSSLD SERTYB	1.000 EA
07FH4007SP	IEC FH W/GRSR, NOTCH @ 6:00 & 3 FAN CVR	1.000 EA
51XW1032A06	10-32 X .38, TAPTITE II, HEX WSHR SLTD S	3.000 EA
09CB3501SP	CONDUIT BOX LID FOR 09CB3001 & 09CB3002	1.000 EA
09GS1013SP	09 GS FOR 09CB3501 LID - LEXIDE	1.000 EA
51XW2520A12	.25-20 X .75, TAPTITE II, HEX WSHR SLTD	2.000 EA

Parts List (continued)		
Part Number	Description	Quantity
HW2501G25	KEY, 3/8 SQ X 2.875	1.000 EA
HA7000A03	KEY RETAINER RING 1.62 & 1.88 DIA. SH	1.000 EA
85XU0407S04	4X1/4 U DRIVE PIN STAINLESS	2.000 EA
MJ1000A75	GREASE, POLYREX EM EXXON	0.050 LB
HA3104A31	THRUBOLT .31-18 X 15.875	4.000 EA
MG1000G27	PAINT- S9282E CHARCOAL GREY	0.036 GA
LB1115	LABEL,LIFTING DEVICE	1.000 EA
LB1125C04	STD-E (STOCK CTN LABEL STD-E WITH FLAG)	1.000 EA
LC0005E01	CONN.DIA./WARNING LABEL (LC0005/LB1119)	1.000 EA
NP1256L	ALUM, UL CSA CC, W/O THERMAL, LASER	1.000 EA
07PA1011	PKG GRP, 07 CAST IRON PK1181	1.000 EA

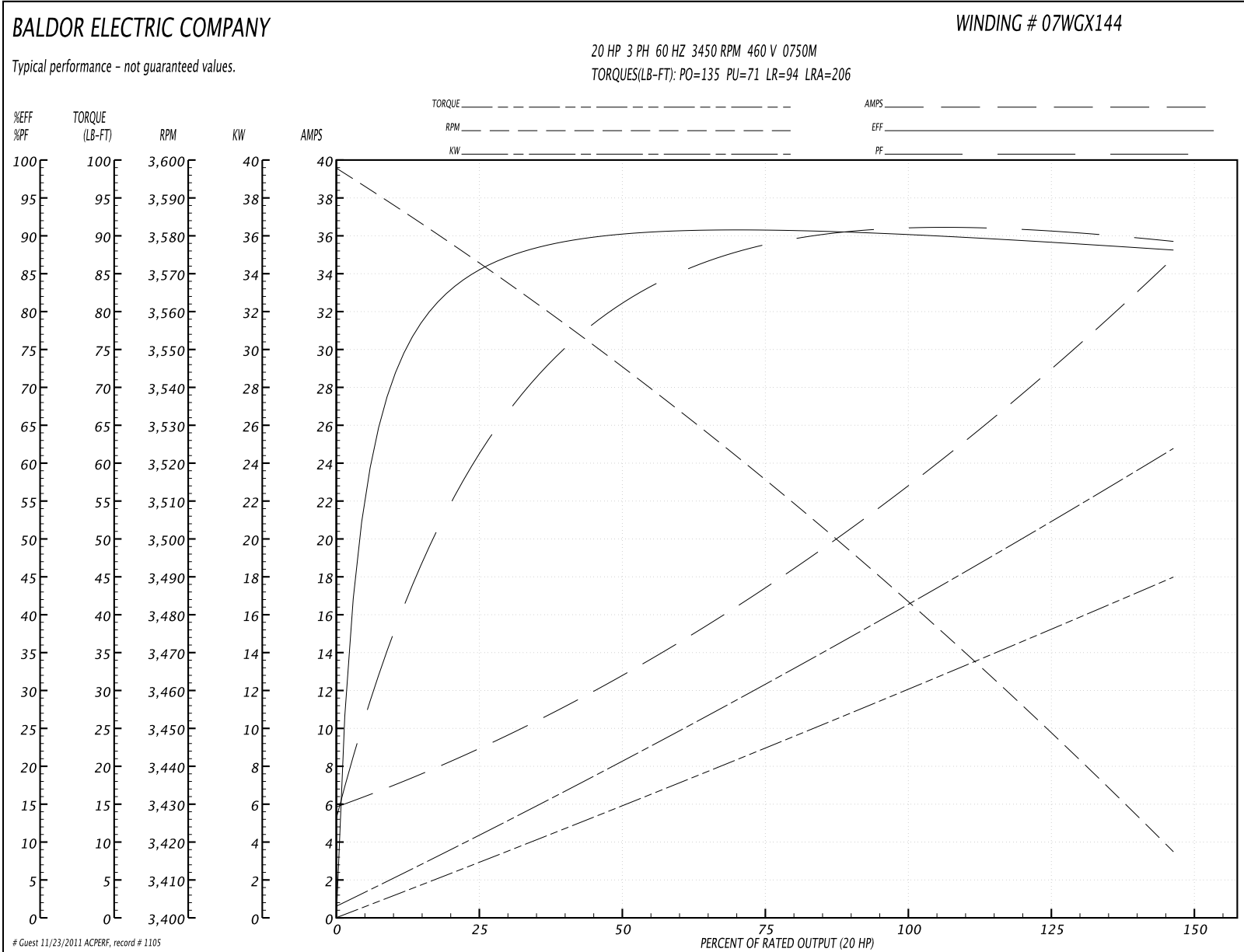
Performance Data at 460V, 60Hz, 20.0HP (Typical performance - Not guaranteed values)
General Characteristics

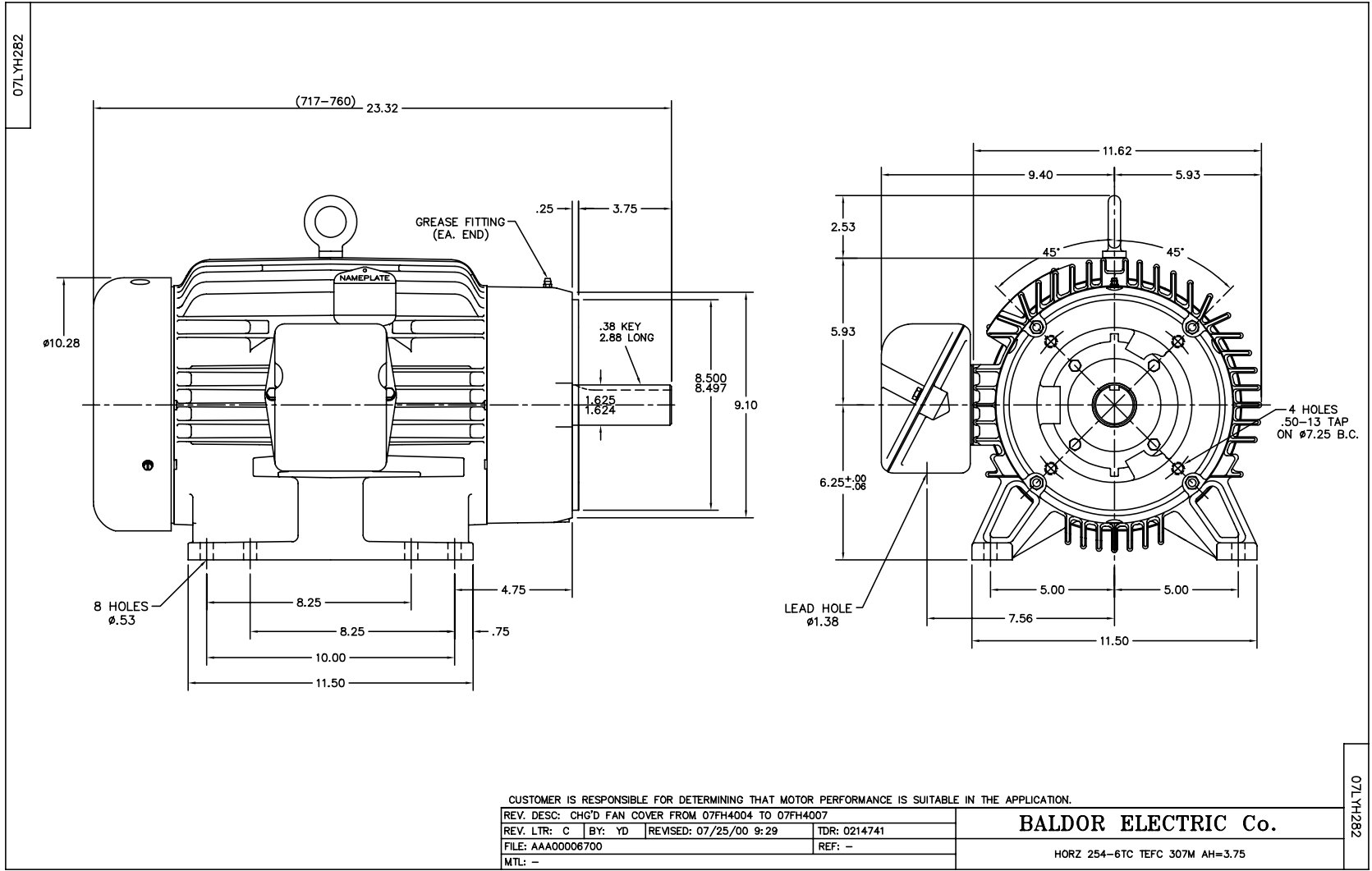
Full Load Torque:	30.0 LB-FT	Start Configuration:	DOL
No-Load Current:	6.2 Amps	Break-Down Torque:	135.0 LB-FT
Line-line Res. @ 25°C.:	0.42 Ohms A Ph / 0.0 Ohms B Ph	Pull-Up Torque:	71.0 LB-FT
Temp. Rise @ Rated Load:	66 C	Locked-Rotor Torque:	94.0 LB-FT
Temp. Rise @ S.F. Load:	80 C	Starting Current:	206.0 Amps

Load Characteristics

% of Rated Load	25	50	75	100	125	150	S.F.
Power Factor:	65.0	81.0	87.0	90.0	91.0	91.0	0.0
Efficiency:	85.4	90.0	90.7	90.3	89.4	88.0	0.0
Speed:	3571.0	3544.0	3515.0	3485.0	3453.0	3416.0	0.0
Line Amperes:	8.5	12.7	17.7	23.0	28.5	34.7	26.3

Performance Graph at 460V, 60Hz, 20.0HP Typical performance - Not guaranteed values





CD0005



LOW VOLTAGE
(2Y)



LINE

HIGH VOLTAGE
(1Y)



LINE

NOTES:

1. INTERCHANGE ANY TWO LINE LEADS TO REVERSE ROTATION.
2. OPTIONAL THERMOSTATS ARE PROVIDED WHEN SPECIFIED.
3. ACTUAL NUMBER OF INTERNAL PARALLEL CIRCUITS MAY BE A MULTIPLE OF THOSE SHOWN ABOVE.
4. LEAD COLORS ARE OPTIONAL. LEADS MUST ALWAYS BE NUMBERED AS SHOWN.

REV. DESC: REVISE TO SHOW OPTIONAL COLORS			
REV. LTR: E	BY: JLP	REVISED: 01/19/99 10:15	TDR: 0171435
90000		FILE: AAA00005140	MDL: -
		MTL: -	

BALDOR ELECTRIC Co.

3PH, DV, 9 LEADS

CD0005