

# **BALDOR® • RELIANCE**

**Product Information Packet**

**ELECTRIC MOTOR WHOLESAL.COM**

**CM4110T**

**40HP,1765RPM,3PH,60HZ,324TC,1068M,TEFC**

Part Detail							
Revision:	J	Status:	INA/A	Change #:		Proprietary:	No
Type:	AC	Prod. Type:	1068M	Elec. Spec:	10WGX646	CD Diagram:	
Enclosure:	TEFC	Mfg Plant:		Mech. Spec:	10F316	Layout:	
Frame:	324TC	Mounting:	F1	Poles:	04	Created Date:	
Base:	RG	Rotation:	R	Insulation:	F	Eff. Date:	07-07-2010
Leads:	9#8	Literature:		Elec. Diagram:		Replaced By:	

**Nameplate NP1256L**

CAT.NO.	CM4110T						
SPEC.	10F316X646H1						
HP	40						
VOLTS	230/460						
AMP	96/48						
RPM	1765						
FRAME	324TC	HZ	60	PH	3		
SER.F.	1.15	CODE	G	DES	B	CLASS	F
NEMA-NOM-EFF	93	PF	85				
RATING	40C AMB-CONT						
CC	010A	USABLE AT 208V	104				
DE	6312	ODE	6309				
ENCL	TEFC	SN					

Parts List		
Part Number	Description	Quantity
SA089921	SA 10F316X646H1	1.000 EA
RA082722	RA 10F316X646H1	1.000 EA
S/P101-000-003	EPACT PROC-ZK 280FR & UP,LARGE KOBX,POLY	1.000 EA
10CB3001	CONDUIT BOX CAST W/2.500 LEAD HOLE	1.000 EA
12GS1000SP	GASKET	1.000 EA
10XN3118K12	5/16-18 X .75 GRADE 5, ZINC PLATED	4.000 EA
10XN3118K12	5/16-18 X .75 GRADE 5, ZINC PLATED	4.000 EA
HW1001A31	LOCKWASHER 5/16, ZINC PLT.591 OD, .319 I	4.000 EA
WD1000B16	KPA-4C BURNDY TERMINAL	1.000 EA
51XF2520A08	SCREW, HEX SER SLT HD, ZN 1/4-20 X .50 L	1.000 EA
10EP1106A01	FR ENDPLATE, MACH	1.000 EA
HA4051A00	PLASTIC CAP FOR GREASE FITTING	1.000 EA
HW2500A25	WOODRUFF KEY USA #1008 #BLOW CARBON STEE	1.000 EA
HA4001A01SP	DRAIN PLUG, PLASTIC (MICRO PLAS)	1.000 EA
XY3816A12	3/8-16 FINISHED NUT	4.000 EA
HW1001A38	LOCKWASHER 3/8, ZINC PLT .688 OD, .382 I	4.000 EA
HW5100A11	W3917-042 WVY WSHR (WB)	1.000 EA
10XN2520K36	1/4-20 X 2.25" HX HD SCRWGRADE 5, ZINC P	2.000 EA
HW1001A25	LOCKWASHER 1/4, ZINC PLT .493 OD, .255 I	2.000 EA
10XN3118K44	5/16-18 X 2.75" HEX HD, GRADE 5	4.000 EA
HW1001A31	LOCKWASHER 5/16, ZINC PLT.591 OD, .319 I	4.000 EA
10EP1304A01	PU ENDPLATE, MACH	1.000 EA
HA4051A00	PLASTIC CAP FOR GREASE FITTING	1.000 EA
HA3113A15	THRUBOLT 3/8-16 X 18.875 W/3.50 THD LENG	4.000 EA

Parts List (continued)		
Part Number	Description	Quantity
HW1001A38	LOCKWASHER 3/8, ZINC PLT .688 OD, .382 I	4.000 EA
10FH4000	310 FAN HOUSING STAMPED	1.000 EA
10XN2520K08	1/4-20 X .50 GRADE #5, STL, ZINC PLATE	4.000 EA
HW1001A25	LOCKWASHER 1/4, ZINC PLT .493 OD, .255 I	4.000 EA
10CB3500SP	CONDUIT BOX LID, CAST	1.000 EA
10GS1000SP	GASKET, CONDUIT BOX LID	1.000 EA
51XW2520A12	.25-20 X .75, TAPTITE II, HEX WSHR SLTD	4.000 EA
HW4600B41	V-RING SLINGER 2.125 X 2.880 X 0.280	1.000 EA
HW2501H33	KEY, 1/2 SQ X 3.875	1.000 EA
LB1115	LABEL,LIFTING DEVICE	1.000 EA
HW4500A21	1618BALEMITE FITTING 825 UNIVERSAL	1.000 EA
HA4017A01	1/8 X 4 GREASE EXT (F/S)	1.000 EA
HW4500A17	317400 ALEMITE GREASE RELIEF	1.000 EA
MJ1000A75	GREASE, POLYREX EM EXXON	0.130 LB
HW4500A03	GREASE FITTING, .125 NPT 1610(ALEMITE) 8	1.000 EA
HW4500A17	317400 ALEMITE GREASE RELIEF	1.000 EA
HA4001A01SP	DRAIN PLUG, PLASTIC (MICRO PLAS)	1.000 EA
MG1000G27	PAINT- S9282E CHARCOAL GREY	0.070 GA
85XU0407A04	#4-7 X 1/4 DRIVE PIN	2.000 EA
LB5040	INSTRUCTION TAG, AC & DC	1.000 EA
09FN3001B02	EXTERNAL FAN, PLASTIC	1.000 EA
51XB1214A20	12-14X1.25 HXWSSLD SERTYB	1.000 EA
LB1125C04	STD-E (STOCK CTN LABEL STD-E WITH FLAG)	4.000 EA
LC0005E02	SPL CONN.DIA./WARN.LABEL(LC0005/LB1119)	1.000 EA

<b>Parts List (continued)</b>		
<b>Part Number</b>	<b>Description</b>	<b>Quantity</b>
NP1256L	ALUM, UL CSA CC, W/O THERMAL, LASER	1.000 EA
42PA1007	PACKAGING GROUP, 09 STD	1.000 EA

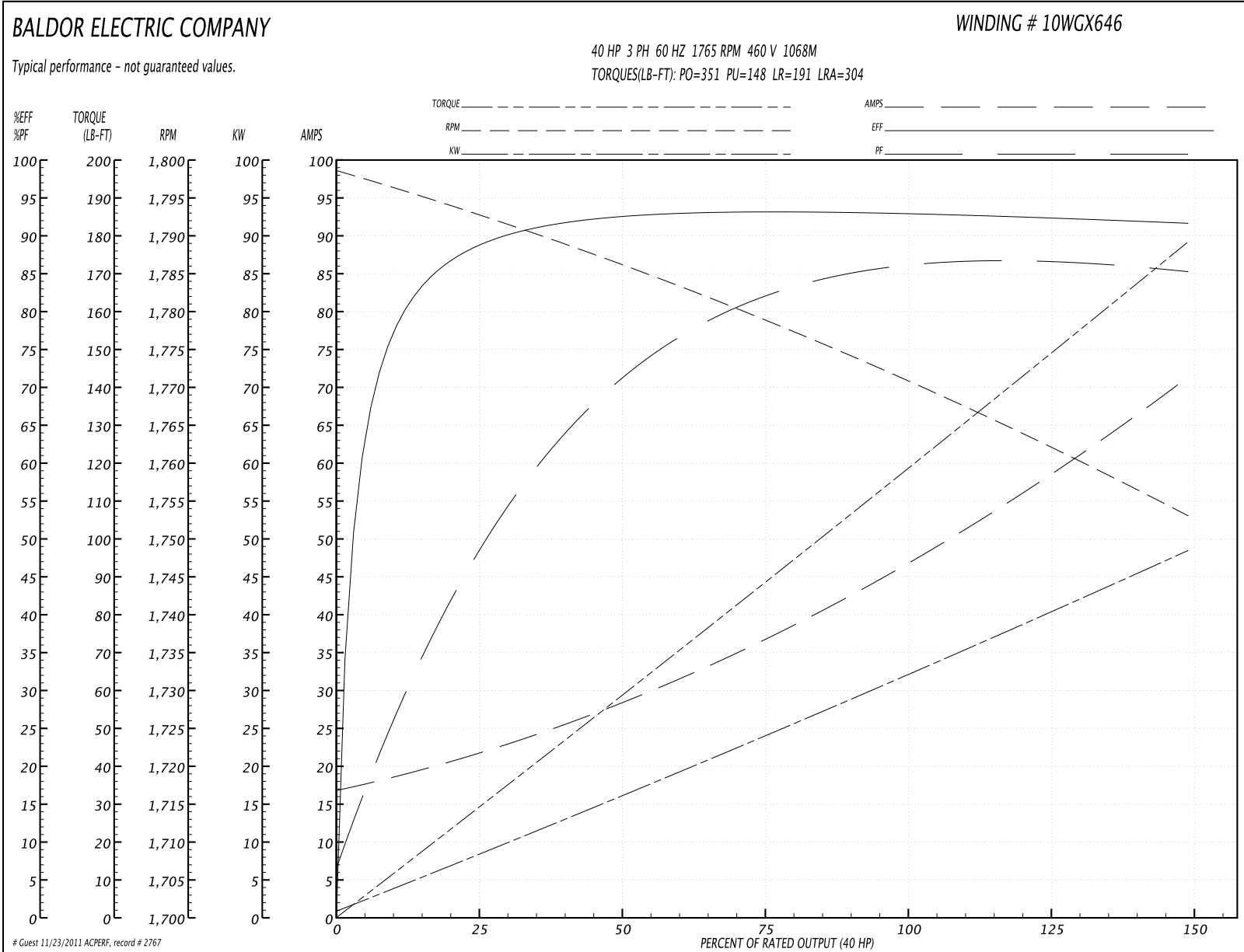
**Performance Data at 460V, 60Hz, 40.0HP (Typical performance - Not guaranteed values)**
**General Characteristics**

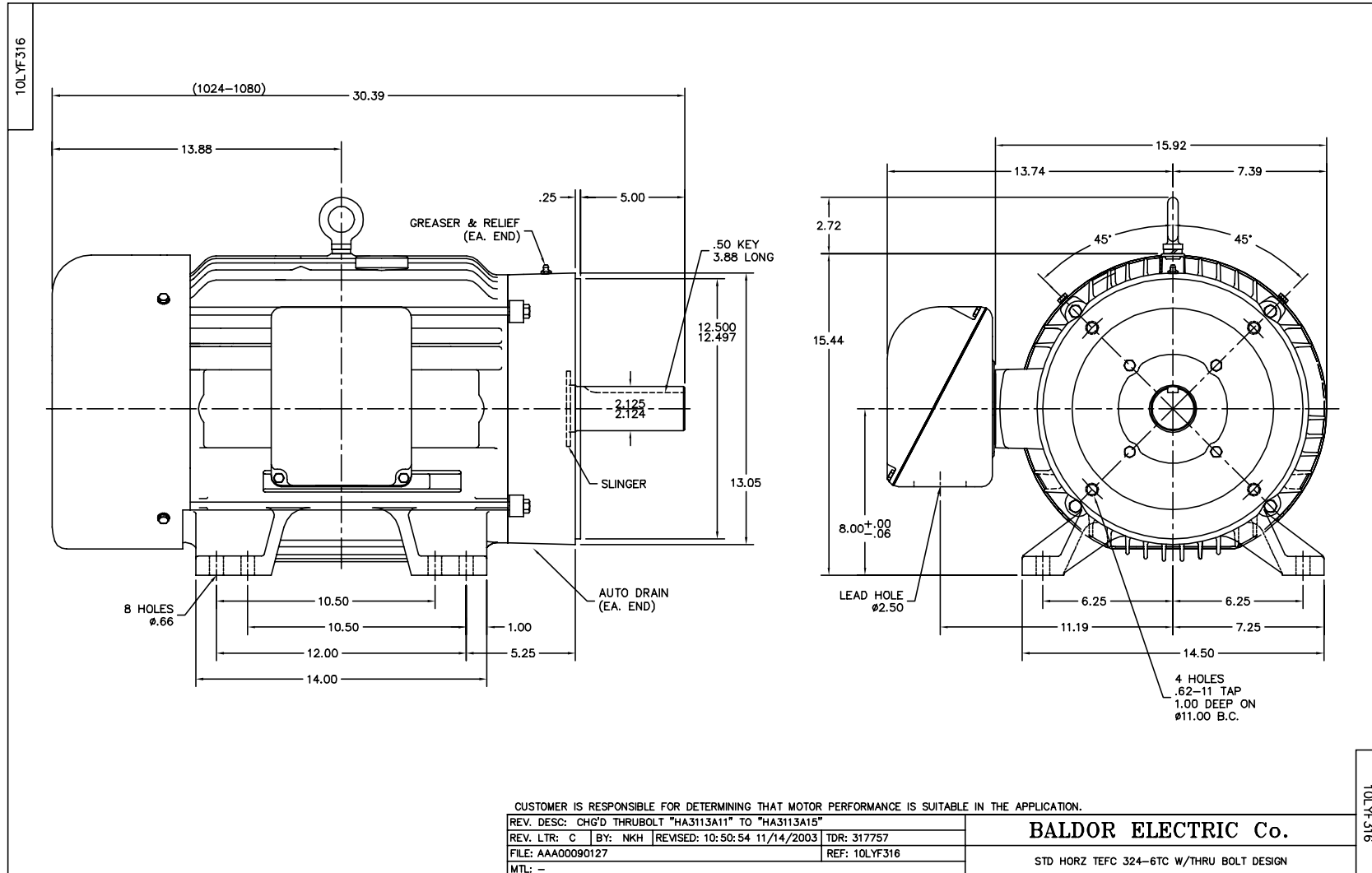
<b>Full Load Torque:</b>	119.0 LB-FT	<b>Start Configuration:</b>	DOL
<b>No-Load Current:</b>	17.6 Amps	<b>Break-Down Torque:</b>	351.0 LB-FT
<b>Line-line Res. @ 25°C.:</b>	0.165 Ohms A Ph / 0.0 Ohms B Ph	<b>Pull-Up Torque:</b>	148.0 LB-FT
<b>Temp. Rise @ Rated Load:</b>	70 C	<b>Locked-Rotor Torque:</b>	191.0 LB-FT
<b>Temp. Rise @ S.F. Load:</b>	86 C	<b>Starting Current:</b>	304.0 Amps

**Load Characteristics**

<b>% of Rated Load</b>	<b>25</b>	<b>50</b>	<b>75</b>	<b>100</b>	<b>125</b>	<b>150</b>	<b>S.F.</b>
<b>Power Factor:</b>	52.0	72.0	81.0	85.0	86.0	87.0	86.0
<b>Efficiency:</b>	88.5	92.4	93.2	93.0	92.4	91.6	92.6
<b>Speed:</b>	1792.0	1786.0	1779.0	1771.0	1762.0	1753.0	1766.0
<b>Line Amperes:</b>	20.9	27.9	37.1	47.7	59.0	70.7	54.48

Performance Graph at 460V, 60Hz, 40.0HP Typical performance - Not guaranteed values





CD0005



LOW VOLTAGE  
(2Y)



LINE

HIGH VOLTAGE  
(1Y)



LINE

NOTES:

1. INTERCHANGE ANY TWO LINE LEADS TO REVERSE ROTATION.
2. OPTIONAL THERMOSTATS ARE PROVIDED WHEN SPECIFIED.
3. ACTUAL NUMBER OF INTERNAL PARALLEL CIRCUITS MAY BE A MULTIPLE OF THOSE SHOWN ABOVE.
4. LEAD COLORS ARE OPTIONAL. LEADS MUST ALWAYS BE NUMBERED AS SHOWN.

REV. DESC: REVISE TO SHOW OPTIONAL COLORS			
REV. LTR: E	BY: JLP	REVISED: 01/19/99 10:15	TDR: 0171435
90000		FILE: AAA00005140	MDL: -
		MTL: -	

**BALDOR ELECTRIC Co.**

3PH, DV, 9 LEADS

CD0005