

BALDOR® • RELIANCE

Product Information Packet

ELECTRIC MOTOR WHOLESAL.COM

CWDM3545

1HP,3450RPM,3PH,60HZ,56C,3516M,TENV,F1

| Part Detail | | | | | | | |
|-------------|------|-------------|-------|----------------|----------|---------------|------------|
| Revision: | R | Status: | PRD/A | Change #: | | Proprietary: | No |
| Type: | AC | Prod. Type: | 3516M | Elec. Spec: | 35WGR933 | CD Diagram: | |
| Enclosure: | TENV | Mfg Plant: | | Mech. Spec: | 35T964 | Layout: | |
| Frame: | 56C | Mounting: | F1 | Poles: | 02 | Created Date: | 06-22-2007 |
| Base: | RG | Rotation: | R | Insulation: | F | Eff. Date: | 10-10-2011 |
| Leads: | 9#18 | Literature: | | Elec. Diagram: | | Replaced By: | |

| Nameplate NP1496L | | | | | | | | | |
|-------------------|--------------|------|--|----------------|------|-----|---|-------|---|
| CAT.NO. | CWDM3545 | | | | | | | | |
| SPEC. | 35T964R933 | | | | | | | | |
| HP | 1 | | | | | | | | |
| VOLTS | 230/460 | | | | | | | | |
| AMP | 2.6/1.3 | | | | | | | | |
| RPM | 3450 | | | | | | | | |
| FRAME | 56C | HZ | | | 60 | PH | 3 | | |
| SER.F. | 1.25 | CODE | | | L | DES | B | CLASS | F |
| NEMA-NOM-EFF | 82.5 | PF | | | 88 | | | | |
| RATING | 40C AMB-CONT | | | | | | | | |
| CC | | | | USABLE AT 208V | | 2.8 | | | |
| DE | 6205 | ODE | | | 6203 | | | | |
| ENCL | TENV | SN | | | | | | | |
| | SFA 3.2/1.6 | | | | | | | | |

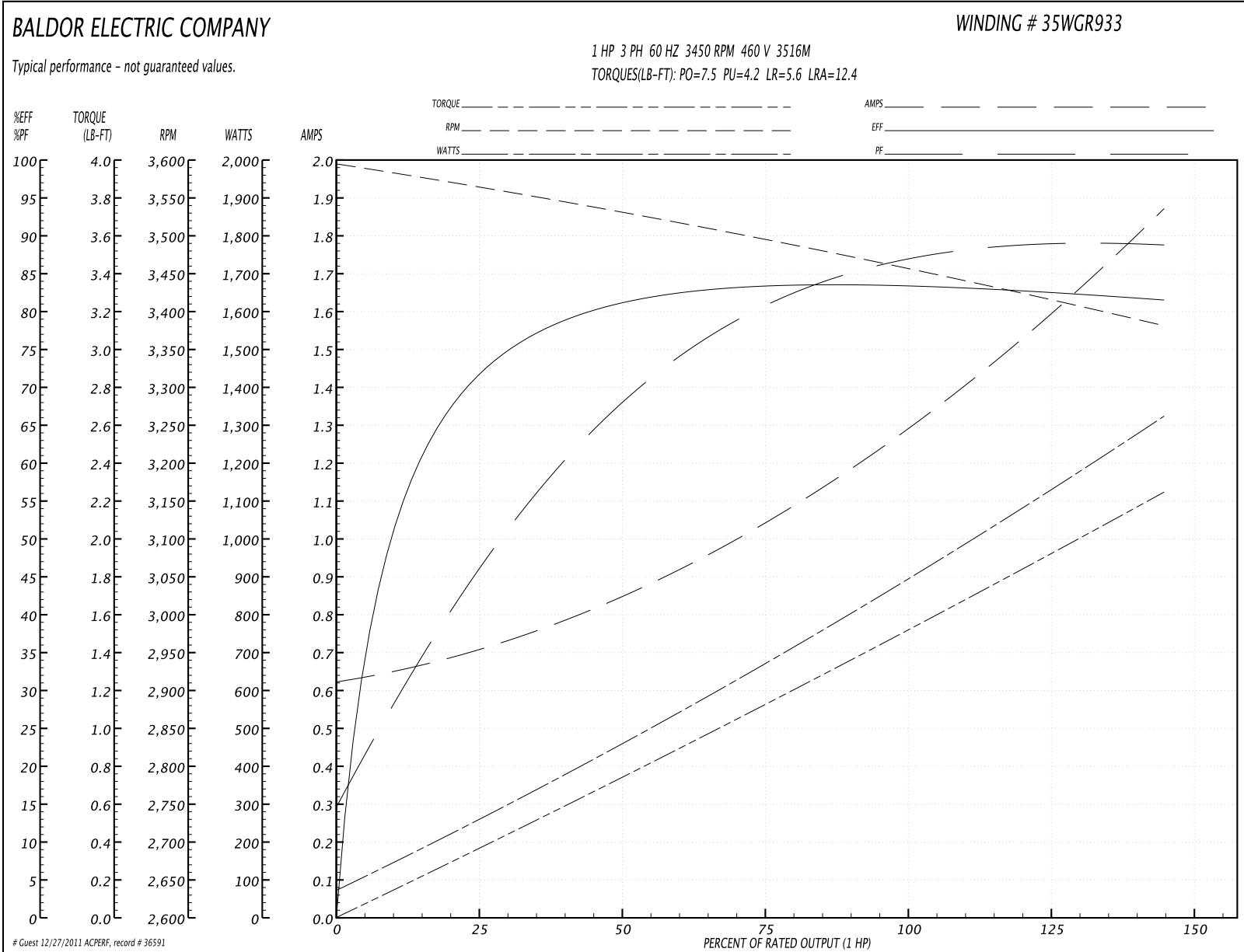
| Parts List | | |
|---------------|--|----------|
| Part Number | Description | Quantity |
| SA111049 | SA 35T964R933 | 1.000 EA |
| RA102428 | RA 35T964R933 | 1.000 EA |
| NS2512A01 | INSULATOR, CONDUIT BOX X | 1.000 EA |
| 35CB3008A01W | 35 CB .50 NPT @ 6, MACH WHITE EPOXY | 1.000 EA |
| 35GS1039 | 05 MOLDED GASKET W/LIP, 1.12 LEAD HOLE, | 1.000 EA |
| 51XB1016A07 | 10-16 X 7/16 HXWSSLD SERTYB | 2.000 EA |
| 11XW1032G06 | 10-32 X .38, TAPTITE II, HEX WSHR SLTD U | 1.000 EA |
| 35EP3100M71MW | SPL FR ENDPLATE -TENV- SP.#9 (WHITE EPOX | 1.000 EA |
| HW4032A01 | BLUE DRAIN PLUG FOR WASH DOWN MOTORS | 3.000 EA |
| HW5100A03SP | WAVY WASHER (W1543-017) | 1.000 EA |
| 35EP3300A48MW | SPL FACE MTD EP - 205 BRG - W/SEAL FOR W | 1.000 EA |
| HW4032A01 | BLUE DRAIN PLUG FOR WASH DOWN MOTORS | 3.000 EA |
| HW4600B49SP | SEAL 0.938 X 1.624 X 0.250 SINGLE LIP DB | 1.000 EA |
| 12XN1032S20 | 10-32 X 1-1/4 HEX M.S. , STAINLESS STEEL | 2.000 EA |
| 35CB4522 | 35 LIPPED CB LID AUTOPHORETIC | 1.000 EA |
| 35GS1030A02 | 35 GS FOR CB LID - WHITE NEOPRENE | 1.000 EA |
| 59XW0832S07 | TAPTITE II,HEX WSHR UNSLTD SER,410 S.S., | 4.000 EA |
| HW4600B46SP | SEAL 0.875 X 1.420 X 0.240 FACE SEALING | 1.000 EA |
| HW2502D13 | SS KEY, 3/16 SQ X 1.375 | 1.000 EA |
| HA7000A04 | KEY RETAINER 0.625 DIA SHAFTS | 1.000 EA |
| LB1164 | LABEL,WARNING AND DRAIN | 1.000 EA |
| MJ1000A75 | GREASE, POLYREX EM EXXON | 0.050 LB |
| MJ5001A01 | 46-665 RED SEALER | 0.001 QT |
| 85XU0407S04 | 4X1/4 U DRIVE PIN STAINLESS | 2.000 EA |

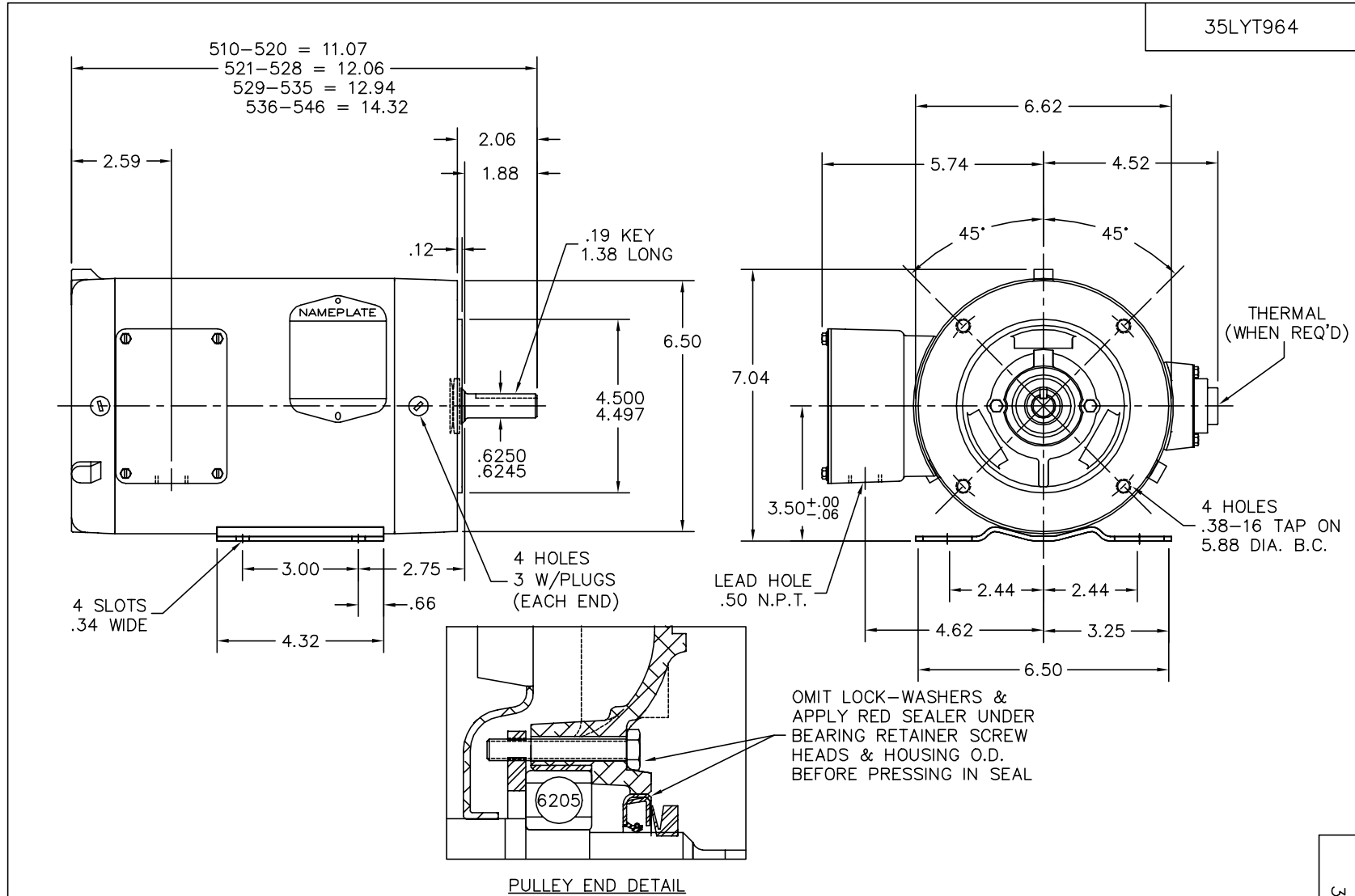
| Parts List (continued) | | |
|------------------------|--|----------|
| Part Number | Description | Quantity |
| MG1025Z20 | ACTIVATOR WILKOFAST 060.32 | 0.010 GA |
| MG1025W11 | PAINT- 781-101 WILKOFAST WHITE EPOXY | 0.017 GA |
| HA3100S08 | THRUBOLT 7.375LG SS | 4.000 EA |
| LB1125C01 | STD (STOCK) CARTON LABEL BALDOR WITH FLA | 1.000 EA |
| LC0005 | CONN.DIA.,TY M,9-LD,DUAL VOLT,REVERSING | 1.000 EA |
| NP1496L | WD, SS, UL CSA CC, W/O THERMAL, LASER | 1.000 EA |
| PA1000 | PACKING GROUP 3500 SHORT | 1.000 EA |

Performance Data at 460V, 60Hz, 1.0HP (Typical performance - Not guaranteed values)

| General Characteristics | | | | | | | |
|--------------------------|--------------------------------|--------|--------|----------------------|-----------|--------|--------|
| Full Load Torque: | 1.5 LB-FT | | | Start Configuration: | DOL | | |
| No-Load Current: | 0.63 Amps | | | Break-Down Torque: | 7.5 LB-FT | | |
| Line-line Res. @ 25°C.: | 15.3 Ohms A Ph / 0.0 Ohms B Ph | | | Pull-Up Torque: | 4.2 LB-FT | | |
| Temp. Rise @ Rated Load: | 80 C | | | Locked-Rotor Torque: | 5.6 LB-FT | | |
| Temp. Rise @ S.F. Load: | 101 C | | | Starting Current: | 12.4 Amps | | |
| Load Characteristics | | | | | | | |
| % of Rated Load | 25 | 50 | 75 | 100 | 125 | 150 | S.F. |
| Power Factor: | 48.0 | 69.0 | 81.0 | 86.0 | 88.0 | 90.0 | 88.0 |
| Efficiency: | 71.6 | 80.5 | 83.5 | 83.7 | 83.0 | 81.3 | 83.0 |
| Speed: | 3560.0 | 3529.0 | 3494.0 | 3462.0 | 3423.0 | 3378.0 | 3423.0 |
| Line Amperes: | 0.7 | 0.85 | 1.04 | 1.28 | 1.58 | 1.86 | 1.58 |

Performance Graph at 460V, 60Hz, 1.0HP Typical performance - Not guaranteed values



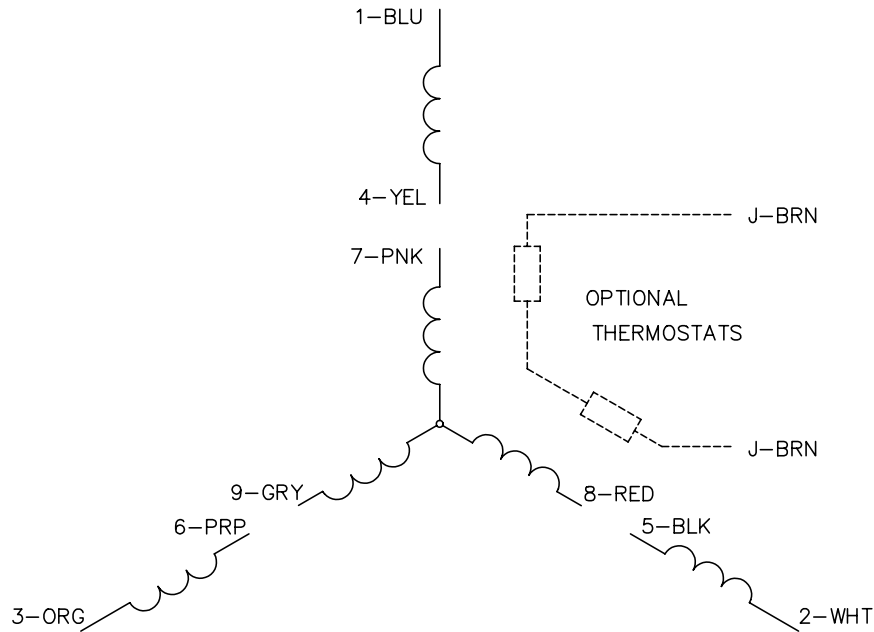


CUSTOMER IS RESPONSIBLE FOR DETERMINING THAT MOTOR PERFORMANCE IS SUITABLE IN THE APPLICATION.

| | | | |
|--|----------------------|------------------------------|---|
| REV. DESC: CORRECT 'C' DIMS CALLED OUT | | | BALDOR • DODGE • RELIANCE |
| REV. LTR: D | VERSION: 04 | TDR: 000000462979 | |
| 35LYT964 | FILE: \AAA\00111\429 | REVISED: 08:55:36 04/22/2008 | STD HORZ 56C TENV 35M WD (S/P #9), 2 POLE "W" BASE SH 1 of 1 |
| | MTL: - | BY: ENCHECO | |

35LYT964

CD0005

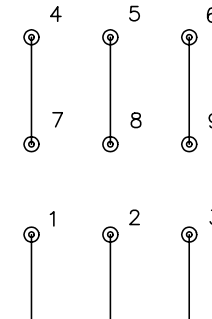


LOW VOLTAGE (2Y)



LINE

HIGH VOLTAGE (1Y)



LINE

NOTES:

1. INTERCHANGE ANY TWO LINE LEADS TO REVERSE ROTATION.
2. OPTIONAL THERMOSTATS ARE PROVIDED WHEN SPECIFIED.
3. ACTUAL NUMBER OF INTERNAL PARALLEL CIRCUITS MAY BE A MULTIPLE OF THOSE SHOWN ABOVE.
4. LEAD COLORS ARE OPTIONAL. LEADS MUST ALWAYS BE NUMBERED AS SHOWN.

| | | | |
|---|---------|-------------------------|--------------|
| REV. DESC: REVISE TO SHOW OPTIONAL COLORS | | | |
| REV. LTR: E | BY: JLP | REVISED: 01/19/99 10:15 | TDR: 0171435 |
| 900000 | | FILE: AAA00005140 | MDL: - |
| | | MTL: - | |

BALDOR ELECTRIC Co.

3PH, DV, 9 LEADS

CD0005