

# **BALDOR® • RELIANCE**

**Product Information Packet**

**ELECTRIC MOTOR WHOLESAL.COM**

**EM2566T-4**

**250HP,1780RPM,3PH,60HZ,445T,1892M,OPEN**

Part Detail									
Revision:	T	Status:	INA/A	Change #:		Proprietary:	No		
Type:	AC	Prod. Type:	1892M	Elec. Spec:	18WGX108	CD Diagram:			
Enclosure:	OPEN	Mfg Plant:		Mech. Spec:	18F33	Layout:			
Frame:	445T	Mounting:	F1	Poles:	04	Created Date:			
Base:	RG	Rotation:	R	Insulation:	F	Eff. Date:	07-14-2011		
Leads:	6#2	Literature:		Elec. Diagram:		Replaced By:			
Nameplate NP2138L									
CAT.NO.		P/N		ENCLOSURE	OPEN				
SPEC.	18F033X108	CC	010A	FRAME	445T	S/N			
HP	250	CLASS	F	HZ	60				
RPM	1780	PH	3	DES	B				
VOLT	460	KVA-CODE	F	ODE BRG	6313	DE BRG	6319		
AMP	280	USABLE AT 208V							
RATING	40C AMB-CONT	GREASE	POLYREX EM						
NEMA-NOM-EFF	95.8	PF	87	SER.F.	1.15				
HTR-VOLTS		HTR-AMPS		MAX. SPACE HEATER TEMP.					

Parts List		
Part Number	Description	Quantity
SA046410	SA 18F033X108	1.000 EA
RA041737	RA 18F033X108	1.000 EA
S/P107-000-004	SUPER-E(284 FR. & UP)-CL PLANT,POLYREX E	1.000 EA
10XN2520K08	1/4-20 X .50 GRADE #5, STL, ZINC PLATE	6.000 EA
HW1001A25	LOCKWASHER 1/4, ZINC PLT .493 OD, .255 I	6.000 EA
10XN2520K08	1/4-20 X .50 GRADE #5, STL, ZINC PLATE	6.000 EA
HW1001A25	LOCKWASHER 1/4, ZINC PLT .493 OD, .255 I	6.000 EA
18CB1007A01	CONDUIT BOX, MACH W/3.62 LEAD HOLE	1.000 EA
18GS1007A01	GASKET, CONDUIT BOX X	1.000 EA
10XN3816K20	3/8-16 X 1.25 HEX HD CAP GRADE 5	4.000 EA
HW1001A38	LOCKWASHER 3/8, ZINC PLT .688 OD, .382 I	4.000 EA
WD1000B25	BURNDY TERMINAL L125HP	1.000 EA
18EP1201A02	STD FR ENDPLATE-OPEN-444-5T-318-6313BRG	1.000 EA
HA4051A00	PLASTIC CAP FOR GREASE FITTING	1.000 EA
10XN5013K36	1/2-13 X 2.25" HEX HD GRADE 5	4.000 EA
HW1001A50	LOCKWASHER 1/2, ZINC PLT,.879 OD, .509 I	4.000 EA
HW5100A16	WAVY WASHER W5408-053	1.000 EA
18EP1200A01	STD PU ENDPLATE-OPEN-444-5T-318-6319BRG	1.000 EA
HA4051A00	PLASTIC CAP FOR GREASE FITTING	1.000 EA
10XN3816K56	3/8-16 X 3 1/2 HEX HEAD MACHINE SCREW,	4.000 EA
10XN3816K48	3/8-16 X 3 HEX HD CAP SCREW,Z/P	4.000 EA
HW1001A38	LOCKWASHER 3/8, ZINC PLT .688 OD, .382 I	4.000 EA
HW1001A38	LOCKWASHER 3/8, ZINC PLT .688 OD, .382 I	4.000 EA
10XN5013K36	1/2-13 X 2.25" HEX HD GRADE 5	4.000 EA

Parts List (continued)		
Part Number	Description	Quantity
HW1001A50	LOCKWASHER 1/2, ZINC PLT.,879 OD, .509 I	4.000 EA
18CB1507A01	CONDUIT BOX LID, MACH	1.000 EA
18GS1015	CONDUIT BOX LID GASKET FOR 18CB1007	1.000 EA
10XN3118K16	5/16-18 X 1" GRADE #5, STL, ZINC PLATE	6.000 EA
HW1001A31	LOCKWASHER 5/16, ZINC PLT.591 OD, .319 I	6.000 EA
HW2501L49	KEY 7/8 SQ X 6.750	1.000 EA
LB1115	LABEL,LIFTING DEVICE	1.000 EA
HW4500A03	GREASE FITTING, .125 NPT 1610(ALEMITE) 8	1.000 EA
HW4500A20	1/8NPT SL PIPE PLUG	1.000 EA
MJ1000A75	GREASE, POLYREX EM EXXON	0.400 LB
HW4500A03	GREASE FITTING, .125 NPT 1610(ALEMITE) 8	1.000 EA
HW4500A20	1/8NPT SL PIPE PLUG	1.000 EA
MG1000Y03	WILKO 689.710 GOLD PAINT SUPER E	0.150 GA
85XU0407A04	#4-7 X 1/4 DRIVE PIN	4.000 EA
LB5040	INSTRUCTION TAG, AC & DC	1.000 EA
18AD2007A02	AIR DEFLECTOR 318 MTRS STACKS 1884-1892	1.000 EA
18AD2007A02	AIR DEFLECTOR 318 MTRS STACKS 1884-1892	1.000 EA
LB1119	WARNING LABEL	1.000 EA
LB1125C02	SUPER-E (STOCK CTN LABEL SUPER-E WITH FL	4.000 EA
LB1357	ENERGY GUIDE LABEL (BOX LABEL)	2.000 SH
LC0382	CONNECTION LABEL	1.000 EA
NP2138L	LARGE NP BALDOR SUPER-E LASER BLANK	1.000 EA
18PA1002	PACKAGING GROUP (318 FRM)TDR 10923	1.000 EA

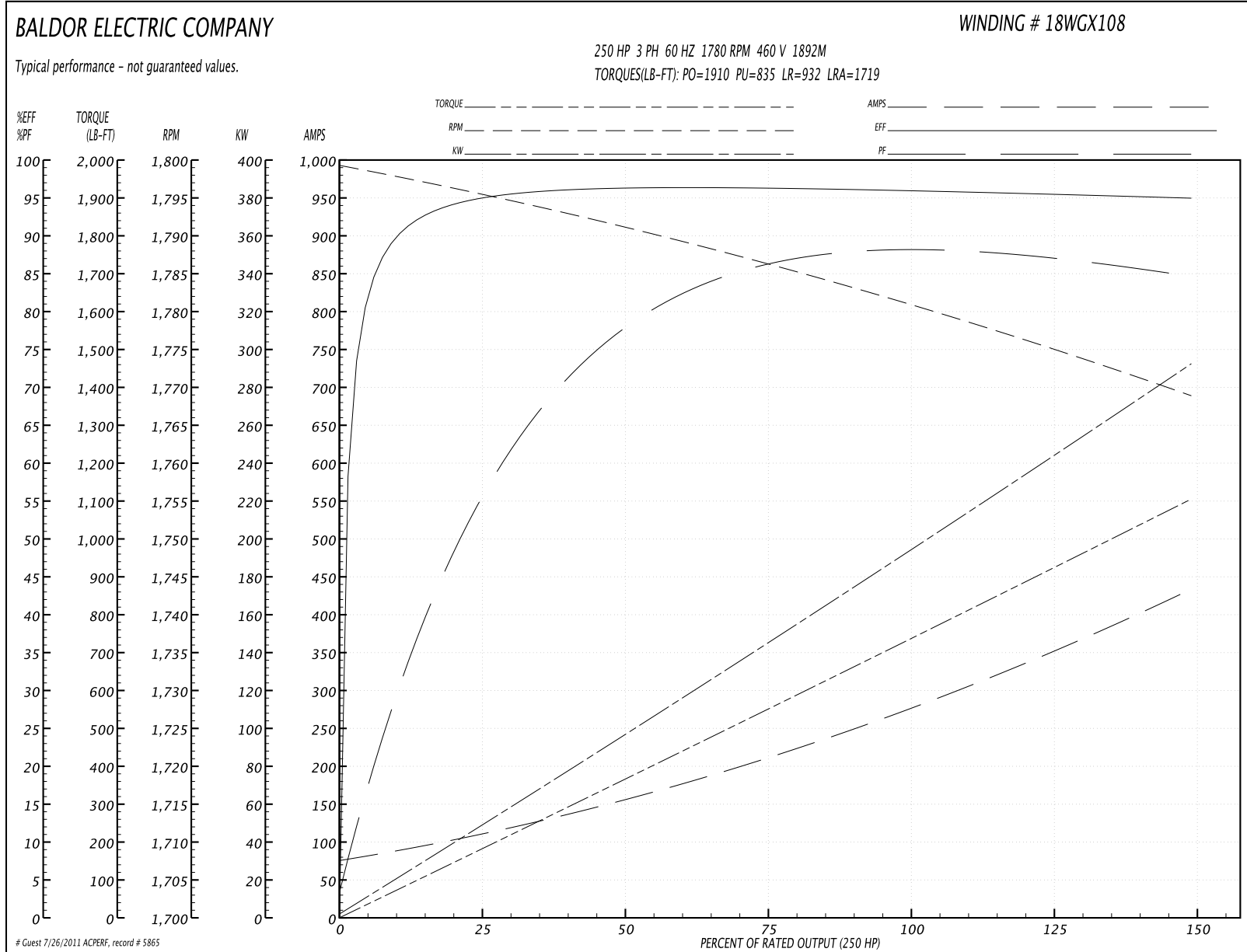
**Performance Data at 460V, 60Hz, 250.0HP (Typical performance - Not guaranteed values)**
**General Characteristics**

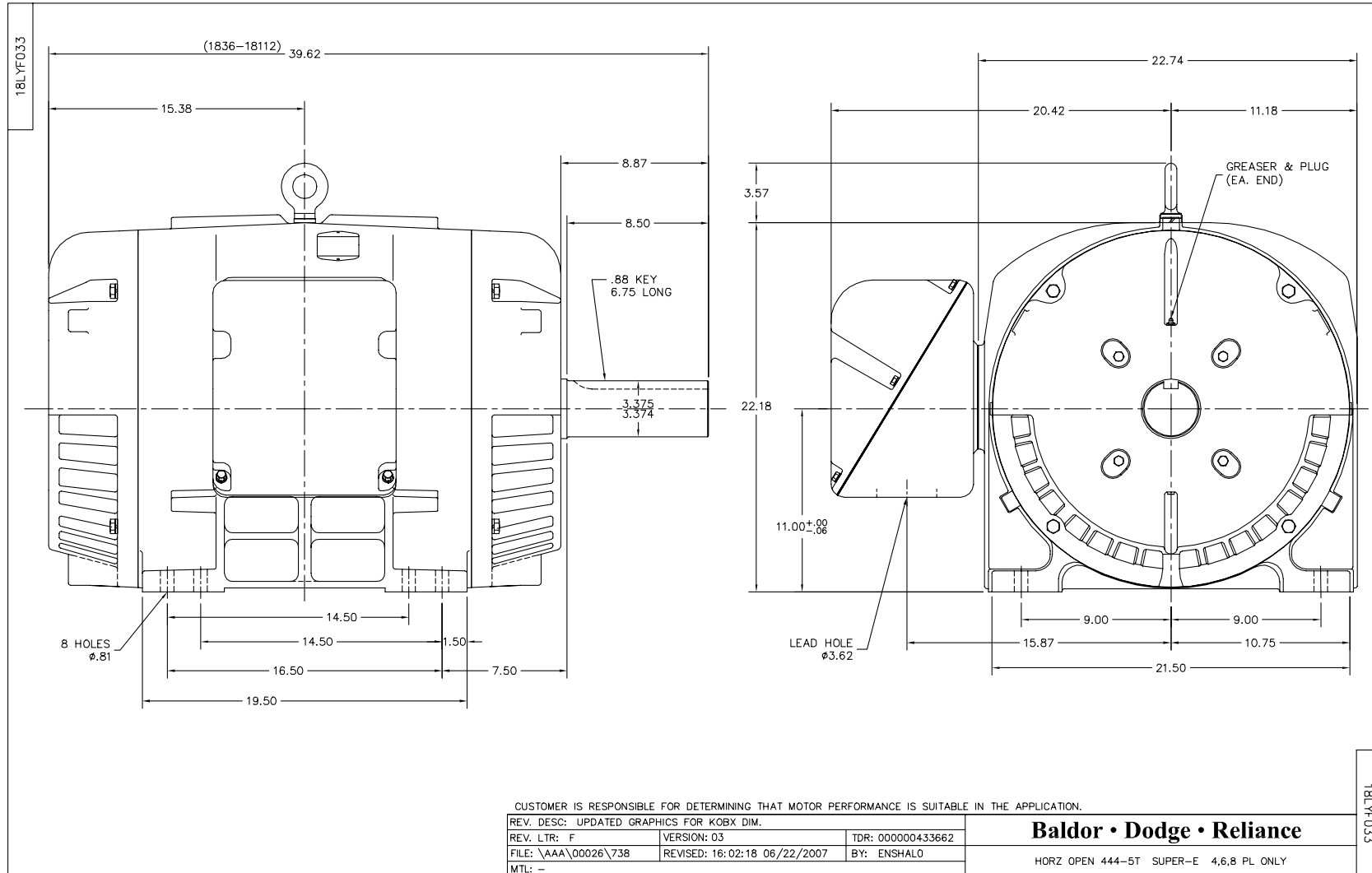
<b>Full Load Torque:</b>	737.0 LB-FT	<b>Start Configuration:</b>	DOL
<b>No-Load Current:</b>	80.4 Amps	<b>Break-Down Torque:</b>	1910.0 LB-FT
<b>Line-line Res. @ 25°C.:</b>	0.0186 Ohms A Ph / 0.0 Ohms B Ph	<b>Pull-Up Torque:</b>	835.0 LB-FT
<b>Temp. Rise @ Rated Load:</b>	45 C	<b>Locked-Rotor Torque:</b>	932.0 LB-FT
<b>Temp. Rise @ S.F. Load:</b>	59 C	<b>Starting Current:</b>	1719.0 Amps

**Load Characteristics**

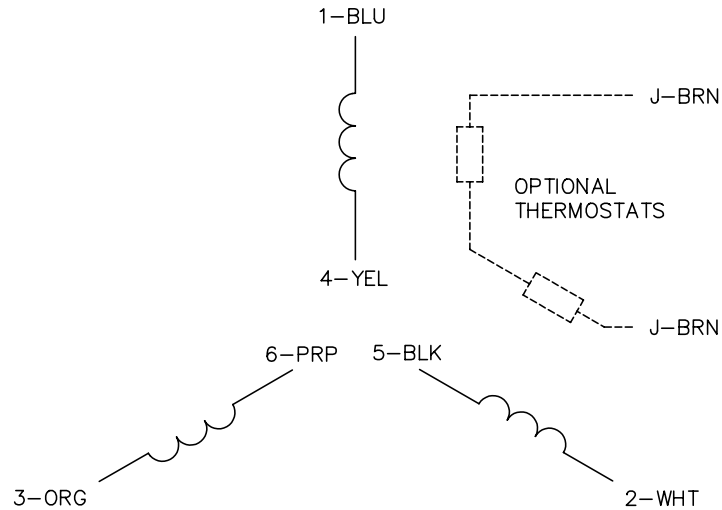
<b>% of Rated Load</b>	<b>25</b>	<b>50</b>	<b>75</b>	<b>100</b>	<b>125</b>	<b>150</b>	<b>S.F.</b>
<b>Power Factor:</b>	59.0	79.0	85.0	87.0	87.0	86.0	87.0
<b>Efficiency:</b>	94.9	96.2	96.2	96.0	95.6	94.9	95.8
<b>Speed:</b>	1796.0	1791.0	1786.0	1781.0	1775.0	1769.0	1777.0
<b>Line Amperes:</b>	104.4	154.0	213.9	279.6	352.8	430.8	323.5

Performance Graph at 460V, 60Hz, 250.0HP Typical performance - Not guaranteed values

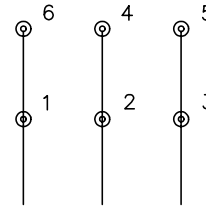




CD0382

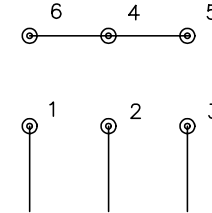


RUN CONNECTION (1D)



LINE

START CONNECTION (1Y)



LINE

NOTES:

1. INTERCHANGE ANY TWO LINE LEADS TO REVERSE ROTATION.
2. OPTIONAL THERMOSTATS ARE PROVIDED WHEN SPECIFIED.
3. ACTUAL NUMBER OF INTERNAL PARALLEL CIRCUITS MAY BE A MULTIPLE OF THOSE SHOWN ABOVE.
4. LEAD COLORS ARE OPTIONAL. LEADS MUST ALWAYS BE NUMBERED AS SHOWN.
5. FOR ACROSS-THE-LINE STARTING, USE 'RUN' CONNECTION.

REV. DESC: ADD NOTE 5 FOR DOL STARTING			
REV. LTR: E	BY: JLP	REVISED: 11/30/00 2:26	TDR: 0226155
CD0382		FILE: AAA00005243	REF: -
		MTL: -	

**BALDOR ELECTRIC Co.**

3PH, SV, 6 LEADS, Y START/D RUN

CD0382