

BALDOR® • RELIANCE

Product Information Packet

ELECTRIC MOTOR WHOLESAL.COM

EM3115

1HP,3450RPM,3PH,60HZ,56,3513M,OPSB,F1,N

Part Detail							
Revision:	E	Status:	PRD/A	Change #:		Proprietary:	No
Type:	AC	Prod. Type:	3513M	Elec. Spec:	35WGP987	CD Diagram:	
Enclosure:	OPSB	Mfg Plant:		Mech. Spec:	35T983	Layout:	
Frame:	56	Mounting:	F1	Poles:	02	Created Date:	05-12-2008
Base:	RG	Rotation:	R	Insulation:	F	Eff. Date:	07-01-2011
Leads:	9#18	Literature:		Elec. Diagram:		Replaced By:	

Nameplate NP1259L

CAT.NO.	EM3115						
SPEC.	35T983P987G1						
HP	1						
VOLTS	208-230/460						
AMP	3-2.9/1.45						
RPM	3500						
FRAME	56	HZ	60	PH	3		
SER.F.	1.25	CODE	K	DES	B	CL	F
NEMA-NOM-EFF	80	PF	80				
RATING	40C AMB-CONT						
CC		USABLE AT 208V					
DE	6205	ODE	6203				
ENCL	OPSB	SN					
	SFA 3.6-3.4/1.7						

Parts List		
Part Number	Description	Quantity
SA171086	SA 35T983P987G1	1.000 EA
RA159323	RA 35T983P987G1	1.000 EA
S/P107-000-001	SUPER E PROC'S-FS & WS PLTS-POLYREX EM G	1.000 EA
NS2512A01	INSULATOR, CONDUIT BOX X	1.000 EA
35CB3007	35 CB CASTING W/.88 DIA. LEAD HOLE	1.000 EA
51XB1016A07	10-16 X 7/16 HXWSSLD SERTYB	2.000 EA
11XW1032G06	10-32 X .38, TAPTITE II, HEX WSHR SLTD U	1.000 EA
35EP3201A03	STD FR EP OPEN-203BRG-35L OR M FRAME--LE	1.000 EA
HW5100A03SP	WAVY WASHER (W1543-017)	1.000 EA
35EP3200A02	STD PU ENDPLATE-OPEN-205 BRG	1.000 EA
XY1032A02	10-32 HEX NUT DIRECTIONAL SERRATION	4.000 EA
35CB4521	35 LIPPED CB LID (GALV & PHOSPH)	1.000 EA
51XW0832A07	8-32 X .44, TAPTITE II, HEX WSHR SLTD SE	4.000 EA
HW2501D13SP	KEY, 3/16 SQ X 1.375	1.000 EA
HA7000A04	KEY RETAINER 0.625 DIA SHAFTS	1.000 EA
85XU0407S04	4X1/4 U DRIVE PIN STAINLESS	2.000 EA
MJ1000A75	GREASE, POLYREX EM EXXON	0.050 LB
MG1000Y03	WILKO 689.710 GOLD PAINT SUPER E	0.017 GA
HA3100A15	THRUBOLT 10-32 X 8.375	4.000 EA
35AD2005A01	BAFFLE PLATE,MOD 35-SLTD BAND MTRS TDR	2.000 EA
LB1125C02	SUPER-E (STOCK CTN LABEL SUPER-E WITH FL	1.000 EA
LC0005E01	CONN.DIA./WARNING LABEL (LC0005/LB1119)	1.000 EA
NP1259L	SUPER E, ALUM, UL CSA CC, W/O THERMAL,	1.000 EA
PA1000	PACKING GROUP 3500 SHORT	1.000 EA

Parts List (continued)		
Part Number	Description	Quantity
LB1357	ENERGY GUIDE LABEL (BOX LABEL)	1.000 SH

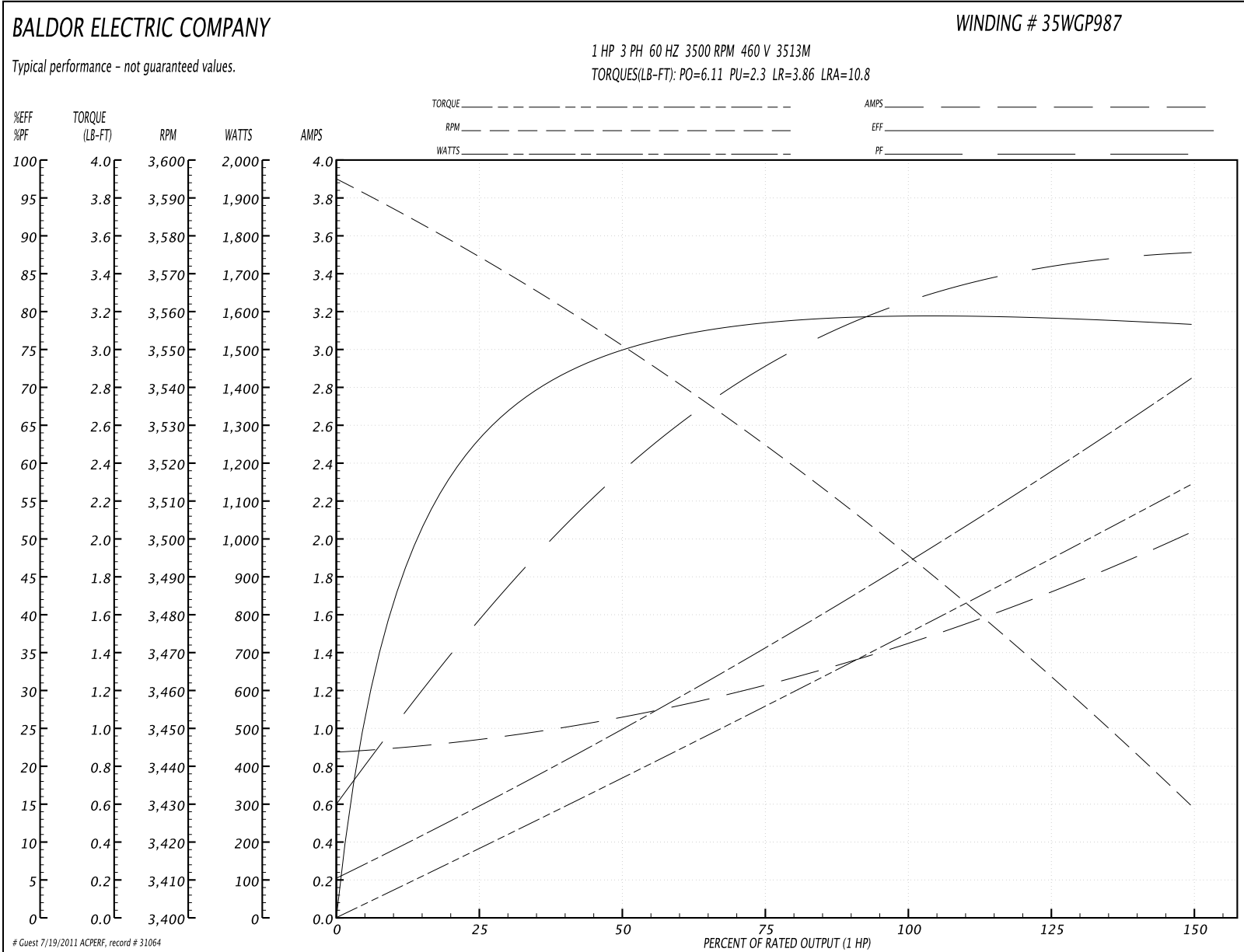
Performance Data at 460V, 60Hz, 1.0HP (Typical performance - Not guaranteed values)
General Characteristics

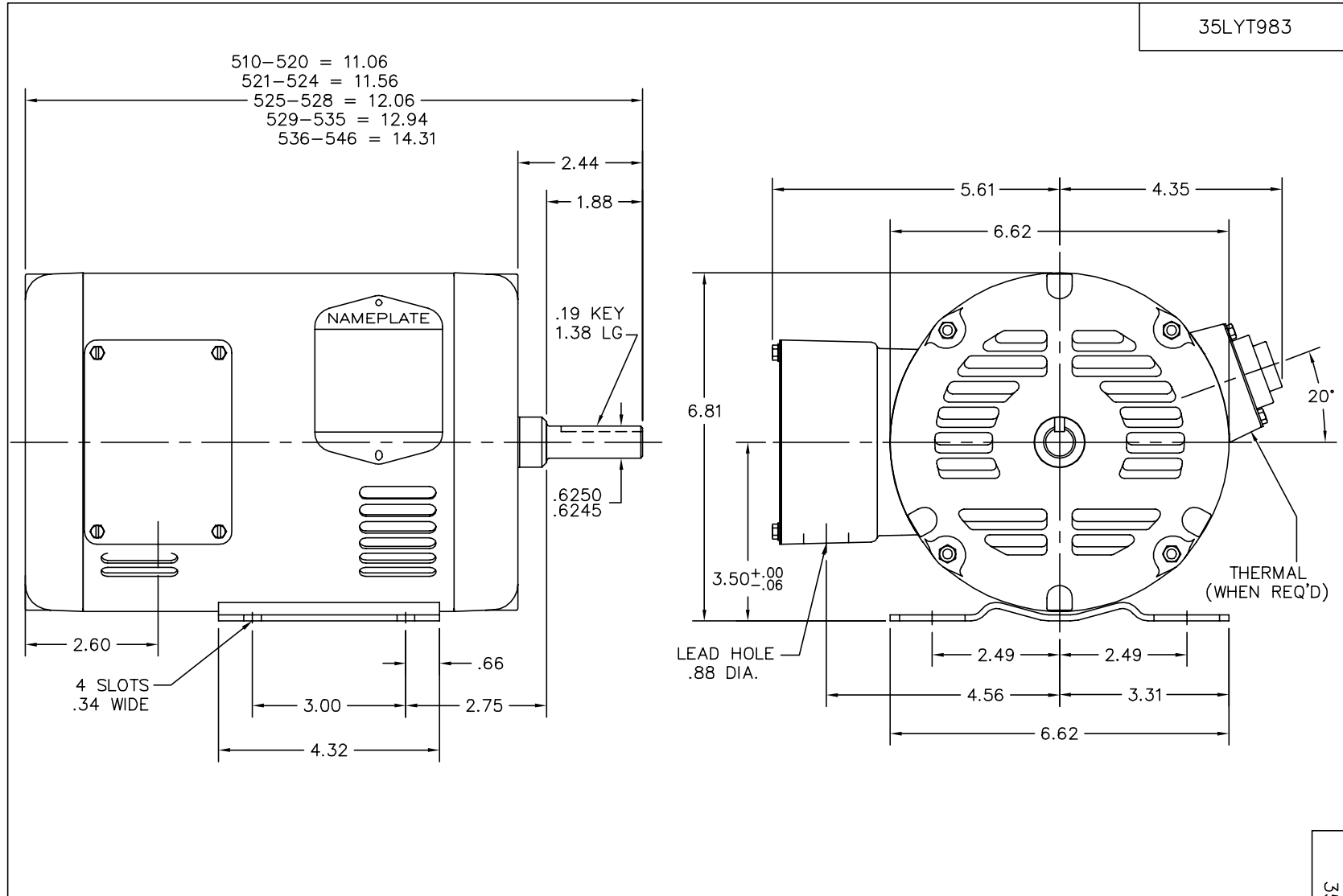
Full Load Torque:	1.47 LB-FT	Start Configuration:	DOL
No-Load Current:	0.883 Amps	Break-Down Torque:	6.11 LB-FT
Line-line Res. @ 25°C.:	23.442 Ohms A Ph / 0.0 Ohms B Ph	Pull-Up Torque:	2.3 LB-FT
Temp. Rise @ Rated Load:	31 C	Locked-Rotor Torque:	3.86 LB-FT
Temp. Rise @ S.F. Load:	40 C	Starting Current:	10.8 Amps

Load Characteristics

% of Rated Load	25	50	75	100	125	150	S.F.
Power Factor:	39.0	59.0	72.0	80.0	86.0	88.0	86.0
Efficiency:	62.9	74.9	79.0	80.0	79.6	78.2	79.6
Speed:	3574.6	3551.7	3526.6	3498.6	3464.4	3429.1	3464.0
Line Amperes:	0.931	1.04	1.22	1.44	1.72	2.03	1.72

Performance Graph at 460V, 60Hz, 1.0HP Typical performance - Not guaranteed values





CUSTOMER IS RESPONSIBLE FOR DETERMINING THAT MOTOR PERFORMANCE IS SUITABLE IN THE APPLICATION.

REV. DESC: CORRECTED DIMENSIONS ON BASE			BALDOR • DODGE • RELIANCE
REV. LTR: A	VERSION: 01	TDR: 000000445887	
35LYT983	FILE: \AAA\00111\549	REVISED: 11:21:12 10/12/2007	HOR 56 OPSB M 2 POLE "W" BASE (35BA4010)
	MTL: -	BY: ENRSTO	

35LYT983

CD0005



LOW VOLTAGE
(2Y)



LINE

HIGH VOLTAGE
(1Y)



LINE

NOTES:

1. INTERCHANGE ANY TWO LINE LEADS TO REVERSE ROTATION.
2. OPTIONAL THERMOSTATS ARE PROVIDED WHEN SPECIFIED.
3. ACTUAL NUMBER OF INTERNAL PARALLEL CIRCUITS MAY BE A MULTIPLE OF THOSE SHOWN ABOVE.
4. LEAD COLORS ARE OPTIONAL. LEADS MUST ALWAYS BE NUMBERED AS SHOWN.

REV. DESC: REVISE TO SHOW OPTIONAL COLORS			
REV. LTR: E	BY: JLP	REVISED: 01/19/99 10:15	TDR: 0171435
900000		FILE: AAA00005140	MDL: -
		MTL: -	

BALDOR ELECTRIC Co.

3PH, DV, 9 LEADS

CD0005