

BALDOR® • ***RELIANCE***

Product Information Packet

EM3155T

2HP,3450RPM,3PH,60HZ,145T,3524M,OPSB,F1

Part Detail							
Revision:	B	Status:	PRD/A	Change #:		Proprietary:	No
Type:	AC	Prod. Type:	3524M	Elec. Spec:	35WQG054	CD Diagram:	
Enclosure:	OPSB	Mfg Plant:		Mech. Spec:	35T680	Layout:	
Frame:	143T	Mounting:	F1	Poles:	02	Created Date:	10-21-2010
Base:	RG	Rotation:	R	Insulation:	F	Eff. Date:	07-01-2011
Leads:	9#18	Literature:		Elec. Diagram:		Replaced By:	

Nameplate NP1259L							
CAT.NO.	EM3155T						
SPEC.	35T680Q054G1						
HP	2						
VOLTS	208-230/460						
AMP	5.6-5/2.5						
RPM	3450						
FRAME	143T	HZ	60	PH	3		
SER.F.	1.15	CODE	K	DES	B	CL	F
NEMA-NOM-EFF	85.5	PF	87				
RATING	40C AMB-CONT						
CC	010A	USABLE AT 208V	5.6				
DE	6205	ODE	6203				
ENCL	OPSB	SN					

Parts List		
Part Number	Description	Quantity
SA204904	SA 35T680Q054G1	1.000 EA
RA192151	RA 35T680Q054G1	1.000 EA
S/P107-000-001	SUPER E PROC'S-FS & WS PLTS-POLYREX EM G	1.000 EA
NS2512A01	INSULATOR, CONDUIT BOX X	1.000 EA
35CB3007	35 CB CASTING W/.88 DIA. LEAD HOLE	1.000 EA
51XB1016A07	10-16 X 7/16 HXWSSLD SERTYB	2.000 EA
11XW1032G06	10-32 X .38, TAPTITE II, HEX WSHR SLTD U	1.000 EA
35EP3201A01	STD FR ENDPLATE-OPEN-203 BRG W/GREASER	1.000 EA
HW4500A01	1641B(ALEMITE)400 UNIV, GREASE FITT	1.000 EA
HW5100A03SP	WAVY WASHER (W1543-017)	1.000 EA
35EP3200A01	STD PU ENDPLATE-OPEN-205 BRG W/GREASER	1.000 EA
HW4500A01	1641B(ALEMITE)400 UNIV, GREASE FITT	1.000 EA
XY1032A02	10-32 HEX NUT DIRECTIONAL SERRATION	4.000 EA
35CB4521	35 LIPPED CB LID (GALV & PHOSPH)	1.000 EA
51XW0832A07	8-32 X .44, TAPTITE II, HEX WSHR SLTD SE	4.000 EA
HW2501D13SP	KEY, 3/16 SQ X 1.375	1.000 EA
HA7000A01	KEY RETAINER 7/8" DIA SHAFT	1.000 EA
85XU0407S04	4X1/4 U DRIVE PIN STAINLESS	2.000 EA
MJ1000A75	GREASE, POLYREX EM EXXON	0.050 LB
MG1000Y03	WILKO 689.710 GOLD PAINT SUPER E	0.017 GA
35AD2005A01	BAFFLE PLATE,MOD 35-SLTD BAND MTRS TDR	2.000 EA
HA3100A45	THRUBOLT 10-32 X 8.875	4.000 EA
LB1125C02	SUPER-E (STOCK CTN LABEL SUPER-E WITH FL	1.000 EA
LC0005E01	CONN.DIA./WARNING LABEL (LC0005/LB1119)	1.000 EA

Parts List (continued)		
Part Number	Description	Quantity
NP1259L	ALUM SUPER-E UL CSA-EEV CC NEMA PREMIUM	1.000 EA
LB5040	INSTRUCTION TAG, AC & DC	1.000 EA
PA1000	PACKING GROUP 3500 SHORT	1.000 EA
LB1357	ENERGY GUIDE LABEL (BOX LABEL)	1.000 SH

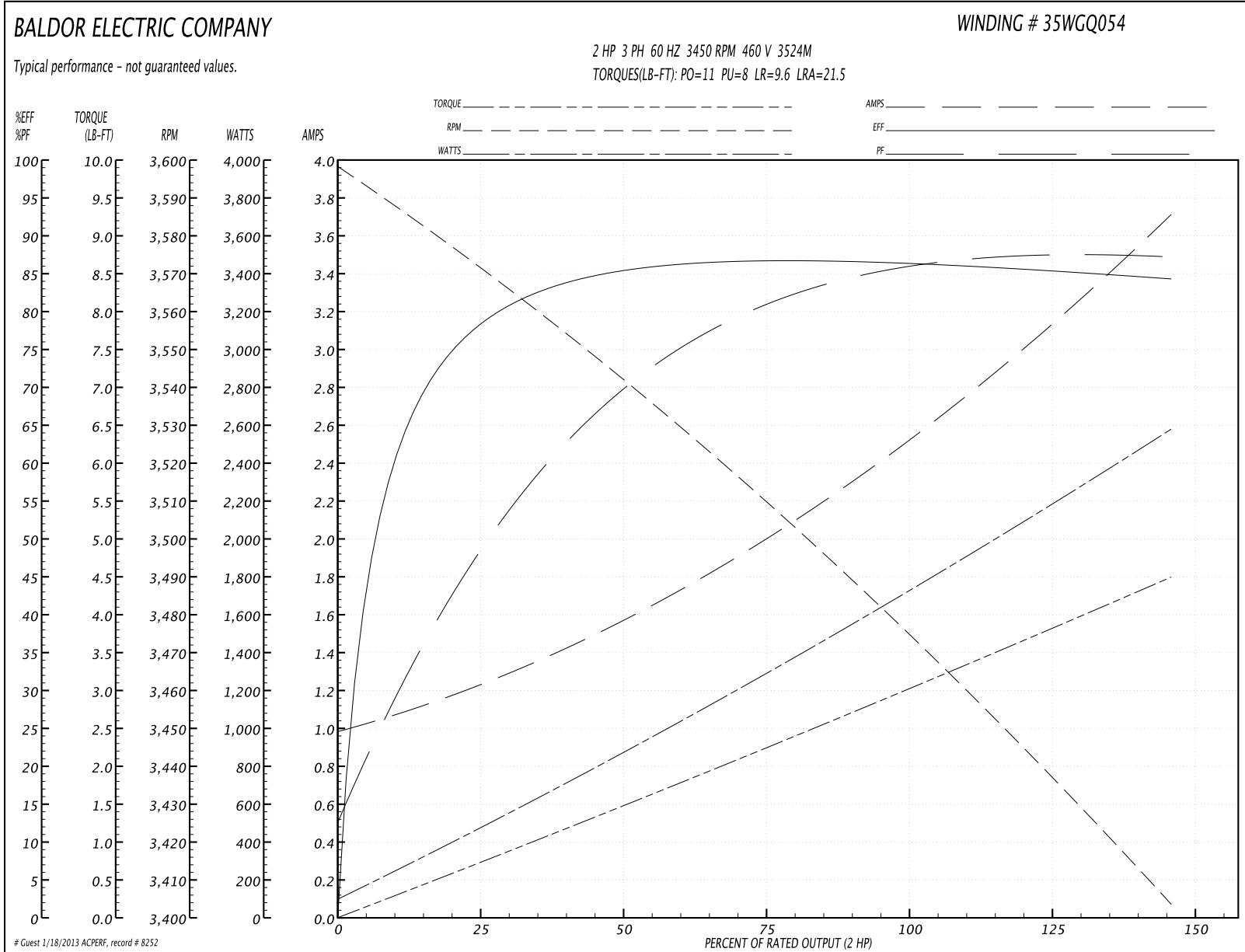
Accessories		
Part Number	Description	Multiplier
35-8764	C FACE KIT	A8
35EP1604A01SP	D-FLANGE KIT	A8

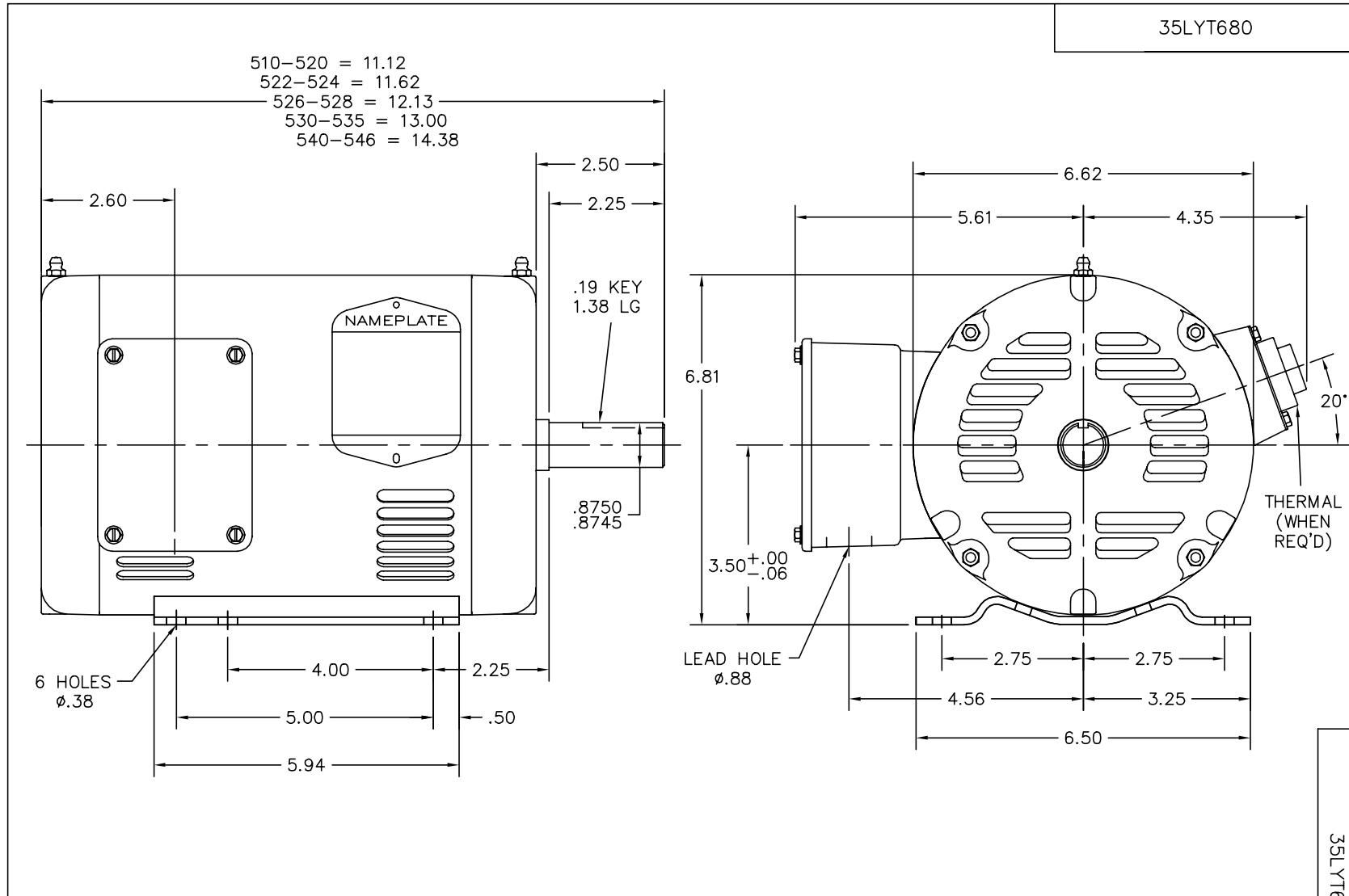
Performance Data at 460V, 60Hz, 2.0HP (Typical performance - Not guaranteed values)

General Characteristics			
Full Load Torque:	3.0 LB-FT	Start Configuration:	DOL
No-Load Current:	1.0 Amps	Break-Down Torque:	11.0 LB-FT
Line-line Res. @ 25°C.:	7.36 Ohms A Ph / 0.0 Ohms B Ph	Pull-Up Torque:	8.0 LB-FT
Temp. Rise @ Rated Load:	31 C	Locked-Rotor Torque:	9.6 LB-FT
Temp. Rise @ S.F. Load:	38 C	Starting Current:	21.5 Amps

Load Characteristics							
% of Rated Load	25	50	75	100	125	150	S.F.
Power Factor:	52.0	72.0	82.0	87.0	90.0	91.0	0.0
Efficiency:	78.3	85.2	86.8	86.4	85.6	84.2	0.0
Speed:	3570.0	3541.0	3510.0	3476.0	3441.0	3403.0	0.0
Line Amperes:	1.2	1.6	2.0	2.5	3.1	3.7	2.9

Performance Graph at 460V, 60Hz, 2.0HP Typical performance - Not guaranteed values





CUSTOMER IS RESPONSIBLE FOR DETERMINING THAT BALDOR'S PRODUCT WILL PERFORM SUITABLY IN THE INTENDED APPLICATION.

REV. DESC: CHG. 34CB4510 TO 34CB4521 & ADD 35AD2005A01		
REV. LTR: B	VERSION: 02	TDR: 000000750221
FILE: \AAA\00107\659	REVISED: 08:51:04 06/07/2012	
MTL: -	BY: ENMICW1	

BALDOR

HORZ 35M OPSB 143-5T 2 POLE "W" BASE (35BA4009)

SH 1 of 1

35LYT680

CD0005

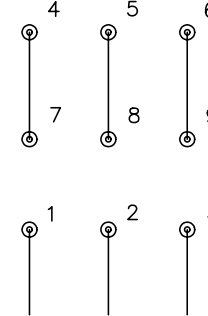


LOW VOLTAGE
(2Y)



LINE

HIGH VOLTAGE
(1Y)



LINE

NOTES:

1. INTERCHANGE ANY TWO LINE LEADS TO REVERSE ROTATION.
2. OPTIONAL THERMOSTATS ARE PROVIDED WHEN SPECIFIED.
3. ACTUAL NUMBER OF INTERNAL PARALLEL CIRCUITS MAY BE A MULTIPLE OF THOSE SHOWN ABOVE.
4. LEAD COLORS ARE OPTIONAL. LEADS MUST ALWAYS BE NUMBERED AS SHOWN.

REV. DESC: REVISE TO SHOW OPTIONAL COLORS			
REV. LTR: E	BY: JLP	REVISED: 01/19/99 10:15	TDR: 0171435
90000		FILE: AAA00005140	MDL: -
		MTL: -	

BALDOR ELECTRIC Co.

3PH, DV, 9 LEADS

CD0005