

# **BALDOR® • RELIANCE**

**Product Information Packet**

**ELECTRIC MOTOR WHOLESALE.COM**

**EM7044T-I**

**5//3HP,1750//1450RPM,3PH,60//50HZ,184T,3**

Part Detail							
Revision:	E	Status:	PRD/A	Change #:		Proprietary:	No
Type:	AC	Prod. Type:	3643M	Elec. Spec:	36WGT031	CD Diagram:	
Enclosure:	XPFC	Mfg Plant:		Mech. Spec:	36J694	Layout:	
Frame:	184T	Mounting:	F1	Poles:	04	Created Date:	08-10-2010
Base:	RG	Rotation:	R	Insulation:	F	Eff. Date:	06-12-2012
Leads:	9#16	Literature:		Elec. Diagram:		Replaced By:	

Nameplate NP0977XPSL							
NO.		CC					
SER.		TEMP CODE		T3C			
SPEC.	36J694T031G2						
CAT.NO.	EM7044T-I						
HP	5//3						
VOLTS	230/460//190/380						
AMPS	13/6.5//10.4/5.2						
RPM	1750//1450	MOTOR WEIGHT	115 LBS				
HERTZ	60//50	PH	3	CL	F	DE BRG	6206
SER.F.	1.15	DES	B	CODE	K	ODE BRG	6205
FRAME	184T	GREASE	POLYREX EM				
RATING	40C AMB-CONT						
USABLE AT 208V	13.6	NEMA-NOM-EFF	89.5	PF	80		
	55C AMB AT 1.0 SF						

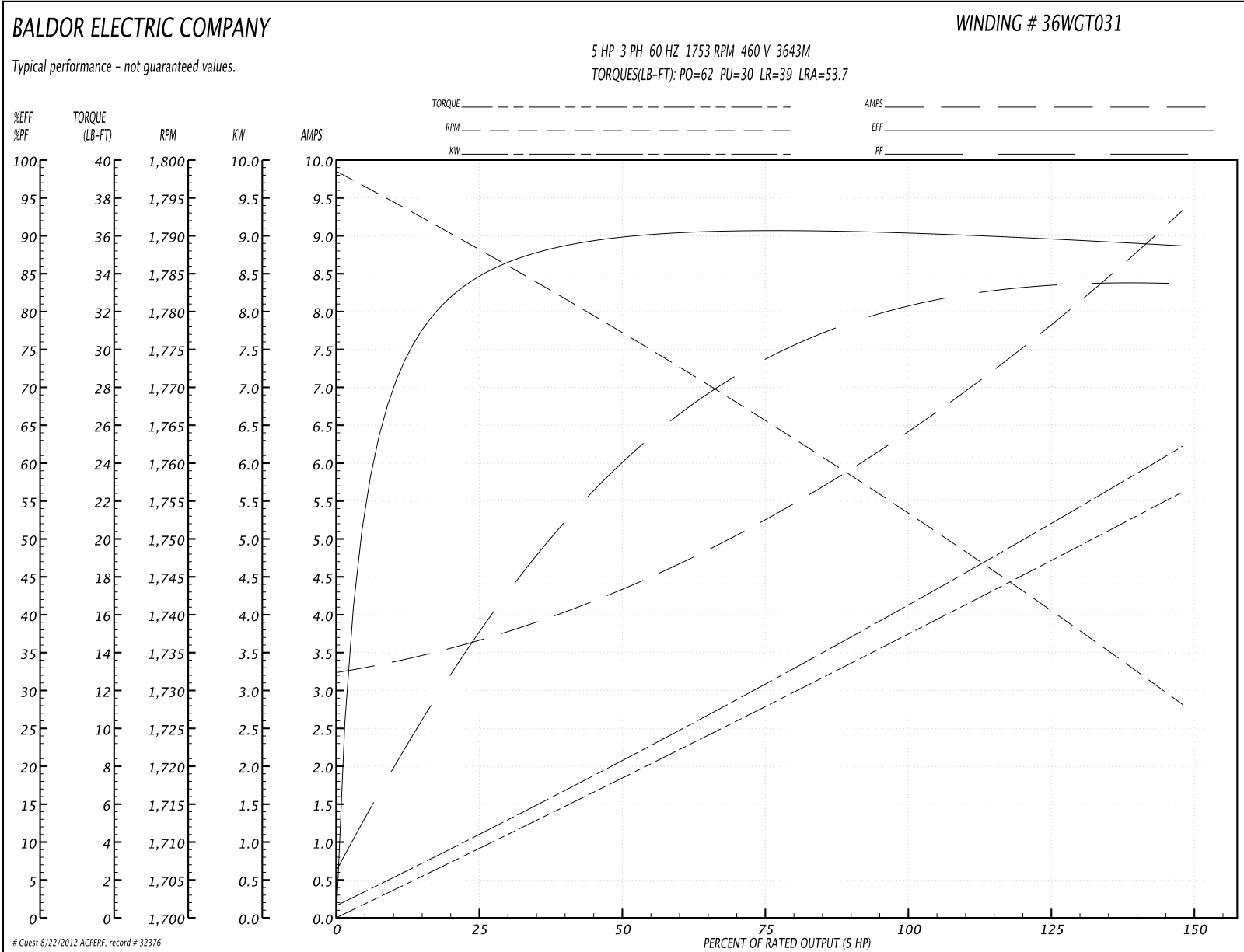
Parts List		
Part Number	Description	Quantity
SA201389	SA 36J694T031G2	1.000 EA
RA188687	RA 36J694T031G2	1.000 EA
35CB1005A01	CONDUIT BOX,MACH - GROUP "C" MTRS	1.000 EA
06EP1709A05	FRONT XPFC 205 BRG GRP C W/ DRAIN (HW450	1.000 EA
HW4500A19	1/4-28X1/4 SLOTTED PLUG F/S	2.000 EA
HW4506A02	BREATHER/DRAIN-EXP PROOF-.125-27 NPTF AI	1.000 EA
HW3022E05	.125 DIA X .500 ROLLED SPRING PIN	1.000 EA
HW5100A05	WVY WSHR F/205 & 304 BRGS	1.000 EA
36EP1718A03	36 PU EP XPFC 206 BRG W/METAL SLINGER	1.000 EA
HW4500A19	1/4-28X1/4 SLOTTED PLUG F/S	2.000 EA
HW4506A02	BREATHER/DRAIN-EXP PROOF-.125-27 NPTF AI	1.000 EA
HW3022E05	.125 DIA X .500 ROLLED SPRING PIN	1.000 EA
XY3816A12	3/8-16 FINISHED NUT	4.000 EA
36FH2000A06	FH XP (2)GRSR HOLES, DRAIN FITTING NOTCH	1.000 EA
51XF1032A10	SCREW, HX WS HD SER, ZN	4.000 EA
35CB1501A01	CONDUIT BOX LID, MACH. - GROUP "C" MTRS	1.000 EA
RM1020A41	O-RING, -150 BUNA-N, .103 CS X 2.862 ID	1.000 EA
HA2065A01	SLINGER, ALUM (AUTO)	1.000 EA
80XN1032A07	SET SCREW, HEX XOCK, ZN	1.000 EA
HW2501E16	3KEY, 1/4 SQ X 1.750	1.000 EA
HA7000A02	KEY RETAINER RING, 1 1/8 DIA, 1 3/8 DIA	1.000 EA
85XU0407S04	4X1/4 U DRIVE PIN STAINLESS	6.000 EA
LB1359	LABEL, UL/CSA "XP"	1.000 EA
MJ1000A75	GREASE, POLYREX EM EXXON	0.050 LB

Parts List (continued)		
Part Number	Description	Quantity
36FN3000A01SP	EXFN, PLASTIC, 7.00 OD, .912 ID	1.000 EA
51XB1214A16	12-14X1.00 HXWSSLD SERTYB	1.000 EA
MG1025G29	PAINT 789.205 DARK GRAY METALLIC (USE W/	0.022 GA
MG1025Z20	ACTIVATOR WILKOFAS 060.32	0.010 GA
HA3105A18	THRUBOLT- 3/8-16 X 13.375 X	4.000 EA
LB1119	WARNING LABEL	1.000 EA
LB1172A01	CUSTOM MTR CARTON LABEL LASER PRINTER	1.000 EA
LC0145B01	CONNECTION LABEL	1.000 EA
NP0977XPSL	SS XP UL CSA CC CL-I GP-C&D	1.000 EA
G0PA1000	PACKAGING GROUP	1.000 EA

**Performance Data at 460V, 60Hz, 5.0HP (Typical performance - Not guaranteed values)**

General Characteristics							
Full Load Torque:	15.0 LB-FT			Start Configuration:	DOL		
No-Load Current:	3.3 Amps			Break-Down Torque:	62.0 LB-FT		
Line-line Res. @ 25°C.:	2.13 Ohms A Ph / 0.0 Ohms B Ph			Pull-Up Torque:	30.0 LB-FT		
Temp. Rise @ Rated Load:	60 C			Locked-Rotor Torque:	39.0 LB-FT		
Temp. Rise @ S.F. Load:	72 C			Starting Current:	53.7 Amps		
Load Characteristics							
% of Rated Load	25	50	75	100	125	150	S.F.
Power Factor:	40.0	62.0	74.0	80.0	84.0	86.0	82.0
Efficiency:	84.7	89.7	90.7	90.4	89.7	88.6	90.0
Speed:	1787.0	1777.0	1766.0	1753.0	1741.0	1728.0	1746.0
Line Amperes:	3.6	4.3	5.3	6.5	7.8	9.3	7.3

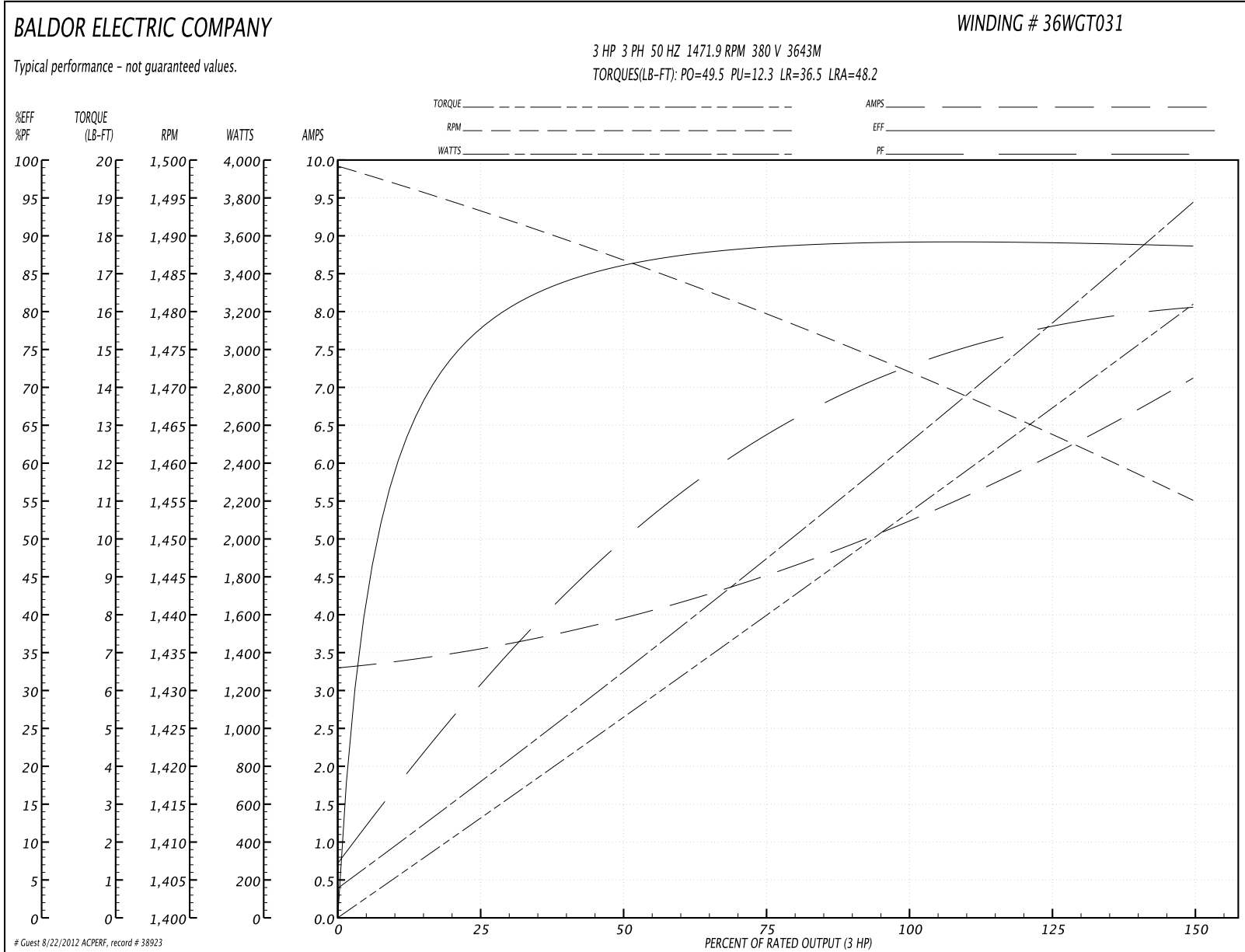
Performance Graph at 460V, 60Hz, 5.0HP Typical performance - Not guaranteed values

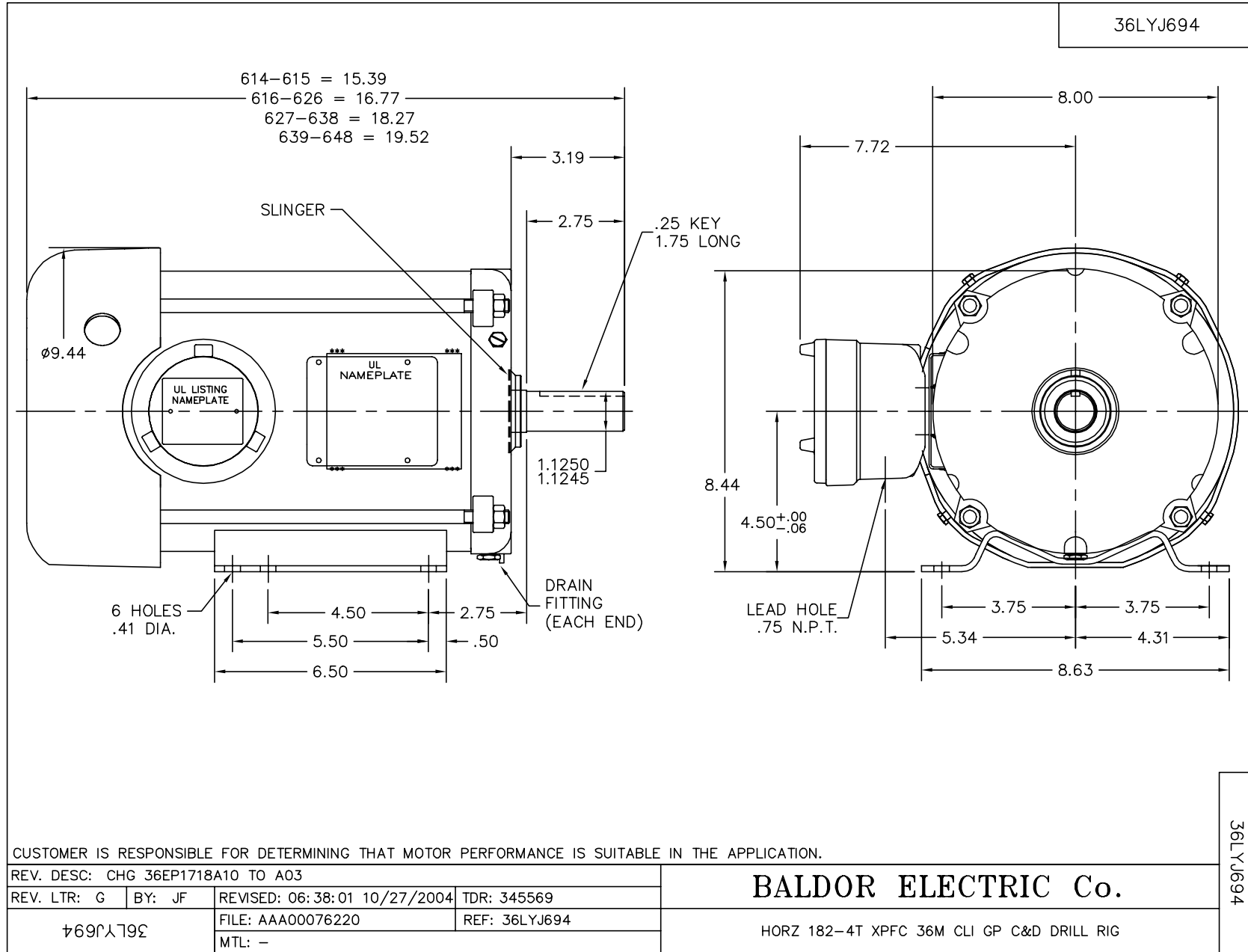


**Performance Data at 380V, 50Hz, 3.0HP (Typical performance - Not guaranteed values)**

General Characteristics							
Full Load Torque:	10.7 LB-FT			Start Configuration:	DOL		
No-Load Current:	3.34 Amps			Break-Down Torque:	49.5 LB-FT		
Line-line Res. @ 25°C.:	2.2945 Ohms A Ph / 0.0 Ohms B Ph			Pull-Up Torque:	12.3 LB-FT		
Temp. Rise @ Rated Load:	39 C			Locked-Rotor Torque:	36.5 LB-FT		
Temp. Rise @ S.F. Load:	45 C			Starting Current:	48.2 Amps		
Load Characteristics							
% of Rated Load	25	50	75	100	125	150	S.F.
Power Factor:	32.0	51.0	63.0	72.0	78.0	81.0	76.0
Efficiency:	77.9	86.0	88.5	89.2	89.2	88.7	89.2
Speed:	1493.7	1486.7	1479.6	1471.9	1463.6	1455.2	1467.0
Line Amperes:	3.51	3.92	4.53	5.28	6.15	7.09	5.8

Performance Graph at 380V, 50Hz, 3.0HP Typical performance - Not guaranteed values

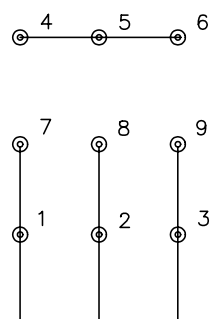




CD0005

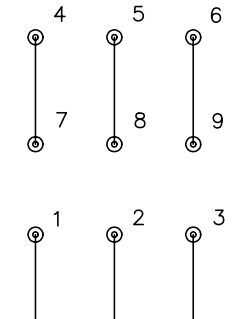


LOW VOLTAGE (2Y)



LINE

HIGH VOLTAGE (1Y)



LINE

NOTES:

1. INTERCHANGE ANY TWO LINE LEADS TO REVERSE ROTATION.
2. OPTIONAL THERMOSTATS ARE PROVIDED WHEN SPECIFIED.
3. ACTUAL NUMBER OF INTERNAL PARALLEL CIRCUITS MAY BE A MULTIPLE OF THOSE SHOWN ABOVE.
4. LEAD COLORS ARE OPTIONAL. LEADS MUST ALWAYS BE NUMBERED AS SHOWN.

REV. DESC: REVISE TO SHOW OPTIONAL COLORS			
REV. LTR: E	BY: JLP	REVISED: 01/19/99 10:15	TDR: 0171435
90000		FILE: AAA00005140	MDL: -
		MTL: -	

**BALDOR ELECTRIC Co.**

3PH, DV, 9 LEADS

CD0005