

BALDOR® • RELIANCE

Product Information Packet

ELECTRIC MOTOR WHOLESAL.COM

EM7054T-C

10/15HP, 1470/1765RPM, 3PH, 50/60HZ, 254T

Part Detail							
Revision:	S	Status:	PRD/A	Change #:		Proprietary:	No
Type:	AC	Prod. Type:	0942M	Elec. Spec:	09WGW980	CD Diagram:	
Enclosure:	XPFC	Mfg Plant:		Mech. Spec:	09F101	Layout:	
Frame:	254T	Mounting:	F1	Poles:	04	Created Date:	
Base:	RG	Rotation:	R	Insulation:	B	Eff. Date:	06-24-2011
Leads:	9#12	Literature:		Elec. Diagram:		Replaced By:	

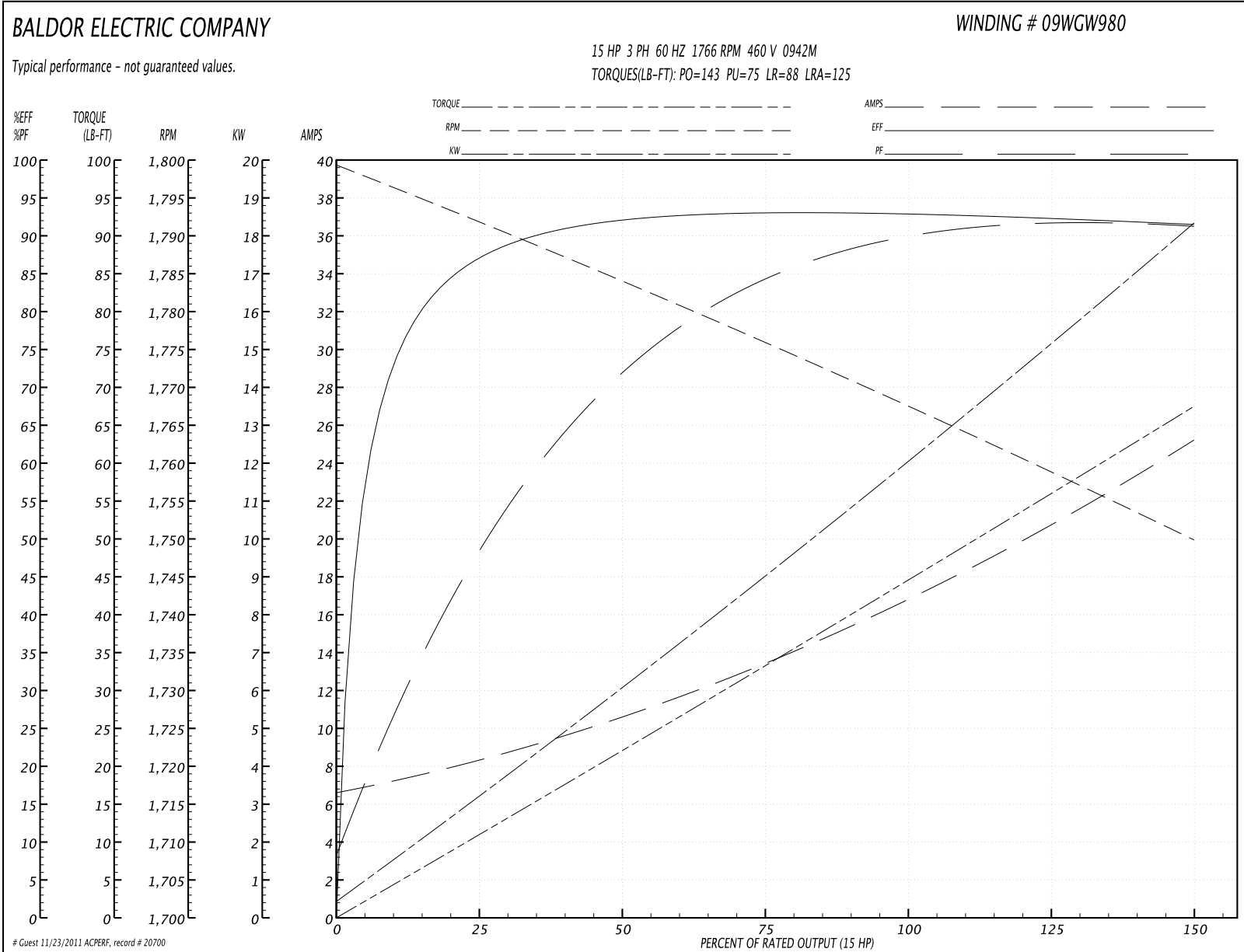
Nameplate NP0978XP							
NO.		TEMP CODE	T4				
SPEC.	09F101W980G1	DE BRG	6309				
CAT.NO.	EM7054T-C	ODE BRG	6208				
HP	15//10	GREASE	POLYREX EM				
VOLTS	230/460//190/380	MOTOR WEIGHT	370				
AMPS	36/18//28.8/14.4	NEMA-NOM-EFF	92.4				
RPM	1765//1470	FL PF	84				
CYCLE	60//50	PH	3	CL	B	FRAME	254T
SER.F.	1.00	DES	B	CODE	H	CC	010A
SER.		BLANK					
RATING	40C AMB-CONT						
USABLE AT 208V	37						

Parts List		
Part Number	Description	Quantity
SA051862	SA 09F101W980G1	1.000 EA
RA046692	RA 09F101W980G1	1.000 EA
MJ5000A01	SEALANT, CHICO A COMPOUND	0.031 LB
09CB1003A01	CONDUIT BOX MACH. GROUP C MTRS	1.000 EA
10XN3118K24	5/16-18 X 1.50" HEX HD, GRADE 5	4.000 EA
HW1001A31	LOCKWASHER 5/16, ZINC PLT.591 OD, .319 I	4.000 EA
WD1000B25	BURNDY TERMINAL L125HP	1.000 EA
10XN3118K12	5/16-18 X .75 GRADE 5, ZINC PLATED	1.000 EA
HW1001A31	LOCKWASHER 5/16, ZINC PLT.591 OD, .319 I	1.000 EA
09EP1700A22	FR ENDPLATE, MACH	1.000 EA
10XN3816K28	3/8-16 X 1.75 HEX HD CAP SCREW, GRADE 5	4.000 EA
HW1001A38	LOCKWASHER 3/8, ZINC PLT .688 OD, .382 I	4.000 EA
HW5100A08	W3118-035 WVY WSHR (WB)	1.000 EA
10XN2520K36	1/4-20 X 2.25" HX HD SCRWGRADE 5, ZINC P	4.000 EA
HW1001A25	LOCKWASHER 1/4, ZINC PLT .493 OD, .255 I	4.000 EA
09EP1707A01	PU ENDPLATE, MACH	1.000 EA
10XN3816K28	3/8-16 X 1.75 HEX HD CAP SCREW, GRADE 5	4.000 EA
HW1001A38	LOCKWASHER 3/8, ZINC PLT .688 OD, .382 I	4.000 EA
09FH1004A01	FAN COVER, MACH	1.000 EA
10XN2520K14	1/4-20 X .88 HEX GRD 5 (20001)	3.000 EA
HW1001A25	LOCKWASHER 1/4, ZINC PLT .493 OD, .255 I	3.000 EA
09CB1502A01	CONDUIT BOX LID MACH. GROUP C MTRS	1.000 EA
84XN5013J24	1/2-13 X 1-1/2 HEX SOCKET HD CAP SCREW	6.000 EA
HW1001A50	LOCKWASHER 1/2, ZINC PLT,.879 OD, .509 I	6.000 EA

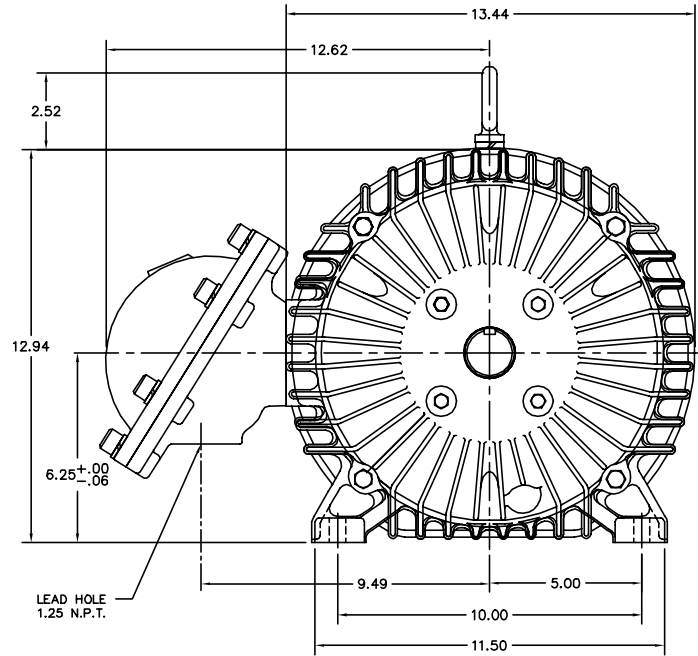
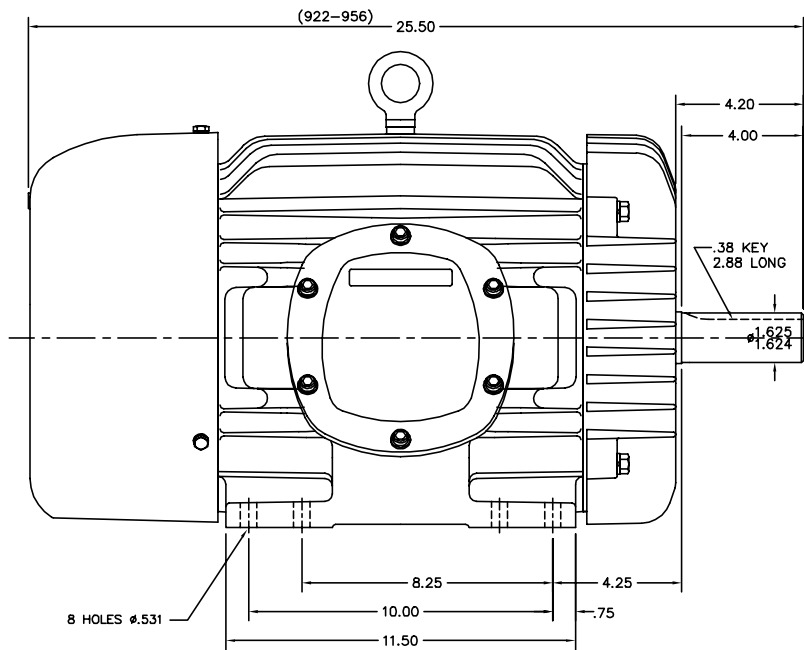
Parts List (continued)		
Part Number	Description	Quantity
HW2501G25	KEY, 3/8 SQ X 2.875	1.000 EA
LB1115	LABEL,LIFTING DEVICE	1.000 EA
HW4500A20	1/8NPT SL PIPE PLUG	2.000 EA
MJ1000A75	GREASE, POLYREX EM EXXON	0.080 LB
HW4500A20	1/8NPT SL PIPE PLUG	2.000 EA
09FN3001A01SP	EXTERNAL FAN, PLASTIC	1.000 EA
HW2500A25	WOODRUFF KEY USA #1008 #BLOW CARBON STEE	1.000 EA
51XB1214A20	12-14X1.25 HXWSSLD SERTYB	1.000 EA
MG1025G05	PAINT 789.201 (WILCO) DARK GRAY METALLIC	0.050 GA
85XU0407A04	#4-7 X 1/4 DRIVE PIN	6.000 EA
LB1081	LABEL CSA XPROOF	1.000 EA
LB5040	INSTRUCTION TAG, AC & DC	1.000 EA
LB1119	WARNING LABEL	1.000 EA
LB1125C02	SUPER-E (STOCK CTN LABEL SUPER-E WITH FL	4.000 EA
LC0145B01	CONNECTION LABEL	1.000 EA
NP0978XP	UL/CSA, CLI GP-C&D,CLII GP-F&G,CC	1.000 EA
40PA1005	PACKAGING GROUP, 09 STD	1.000 EA
LB1357	ENERGY GUIDE LABEL (BOX LABEL)	2.000 SH

Performance Data at 460V, 60Hz, 15.0HP (Typical performance - Not guaranteed values)							
General Characteristics							
Full Load Torque:	45.0 LB-FT			Start Configuration:	DOL		
No-Load Current:	6.95 Amps			Break-Down Torque:	143.0 LB-FT		
Line-line Res. @ 25°C.:	0.577 Ohms A Ph / 0.0 Ohms B Ph			Pull-Up Torque:	75.0 LB-FT		
Temp. Rise @ Rated Load:	47 C			Locked-Rotor Torque:	88.0 LB-FT		
Temp. Rise @ S.F. Load:				Starting Current:	125.0 Amps		
Load Characteristics							
% of Rated Load	25	50	75	100	125	150	S.F.
Power Factor:	49.0	71.0	81.0	86.0	88.0	89.0	87.0
Efficiency:	87.9	92.1	93.0	92.8	92.3	91.5	92.5
Speed:	1792.0	1784.0	1776.0	1766.0	1759.0	1750.0	1762.0
Line Amperes:	7.9	10.5	13.7	17.2	21.0	25.0	19.5

Performance Graph at 460V, 60Hz, 15.0HP Typical performance - Not guaranteed values



09LYF101



CUSTOMER IS RESPONSIBLE FOR DETERMINING THAT MOTOR PERFORMANCE IS SUITABLE IN THE APPLICATION.

REV. DESC: REV TO UPDATE KOBX DIMS.			
REV. LTR: A	BY: JHM	REVISED: 13; 58; 47 04/11/2001	TDR: 236591
FILE: AAA00059304		REF: 09LYF101	
MTL: -			

BALDOR ELECTRIC Co.

HORZ XPFC 254-6T-CLJ GP C&D,CLII GP F&G

09LYF101

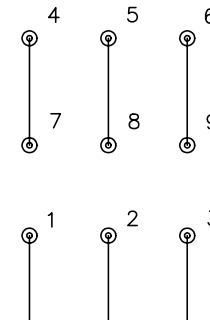
CD0005



LOW VOLTAGE
(2Y)



HIGH VOLTAGE
(1Y)



NOTES:

1. INTERCHANGE ANY TWO LINE LEADS TO REVERSE ROTATION.
2. OPTIONAL THERMOSTATS ARE PROVIDED WHEN SPECIFIED.
3. ACTUAL NUMBER OF INTERNAL PARALLEL CIRCUITS MAY BE A MULTIPLE OF THOSE SHOWN ABOVE.
4. LEAD COLORS ARE OPTIONAL. LEADS MUST ALWAYS BE NUMBERED AS SHOWN.

REV. DESC: REVISE TO SHOW OPTIONAL COLORS			
REV. LTR: E	BY: JLP	REVISED: 01/19/99 10:15	TDR: 0171435
900000		FILE: AAA00005140	MDL: -
		MTL: -	

BALDOR ELECTRIC Co.

3PH, DV, 9 LEADS

CD0005