

# **BALDOR® • RELIANCE**

**Product Information Packet**

**ELECTRIC MOTOR WHOLESAL.COM**

**EM7064T-C**

**40/50HP, 1475/1775RPM, 3PH, 50/60HZ, 326T**

Part Detail							
Revision:	P	Status:	PRD/A	Change #:		Proprietary:	No
Type:	AC	Prod. Type:	1266M	Elec. Spec:	12WGX278	CD Diagram:	
Enclosure:	XPFC	Mfg Plant:		Mech. Spec:	12R031	Layout:	
Frame:	326T	Mounting:	F1	Poles:	04	Created Date:	
Base:	RG	Rotation:	R	Insulation:	B	Eff. Date:	08-13-2010
Leads:	9#8	Literature:		Elec. Diagram:		Replaced By:	

Nameplate NP0978XP							
NO.		TEMP CODE	T4				
SPEC.	12R031X278G1	DE BRG	6312				
CAT.NO.	EM7064T-C	ODE BRG	6311				
HP	50//40	GREASE	POLYREX EM				
VOLTS	230/460//190/380	MOTOR WEIGHT	741				
AMPS	114/57	NEMA-NOM-EFF	94.5				
RPM	1775//1475	FL PF	87				
CYCLE	60//50	PH	3	CL	B	FRAME	326T
SER.F.	1.00	DES	B	CODE	H	CC	010A
SER.		BLANK					
RATING	40C AMB-CONT						
USABLE AT 208V	125						

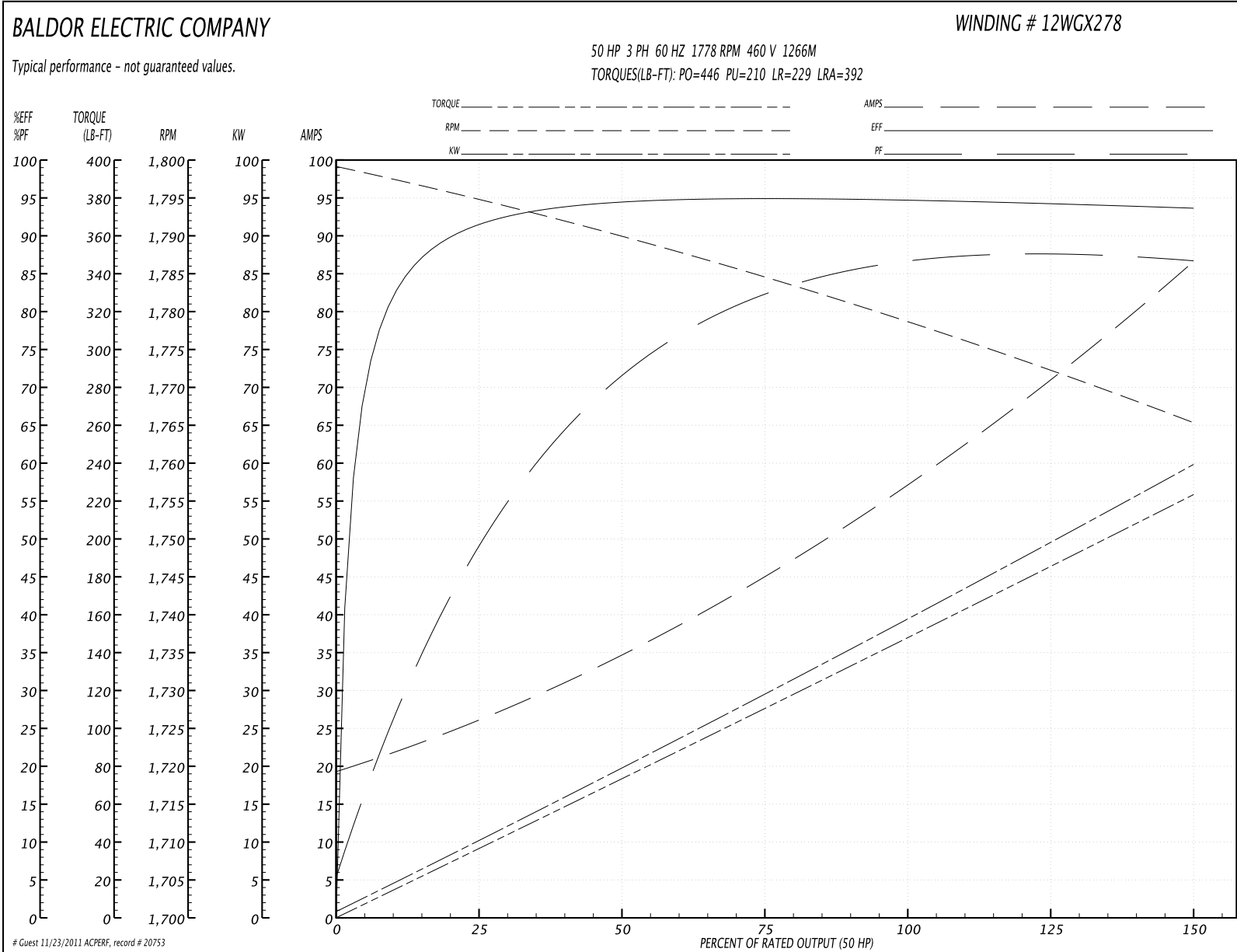
Parts List		
Part Number	Description	Quantity
SA063997	SA 12R031X278G1	1.000 EA
RA058171	RA 12R031X278G1	1.000 EA
12EP1705A05	ENDPLATE,MACH.312-EXPL PROOF 311 BRG-EXP	1.000 EA
HA3051A03	1/2-13X2.75 BLT GR8 1.75 TO E NC F/S	4.000 EA
HW1001A50	LOCKWASHER 1/2, ZINC PLT, .879 OD, .509 I	4.000 EA
HW5100A13	W4627-047 WVY WSHER	1.000 EA
12EP1706A01	ENDPLATE, MACH. 312 - EXPLOSION PROOF 31	1.000 EA
10XN3118K44	5/16-18 X 2.75" HEX HD, GRADE 5	4.000 EA
HW1001A31	LOCKWASHER 5/16, ZINC PLT.591 OD, .319 I	4.000 EA
HA3051A03	1/2-13X2.75 BLT GR8 1.75 TO E NC F/S	4.000 EA
HW1001A50	LOCKWASHER 1/2, ZINC PLT, .879 OD, .509 I	4.000 EA
12FH1001A01	FAN HOUSING 312 EXPLOSION PROOF MOTORS	1.000 EA
10XN3118K12	5/16-18 X .75 GRADE 5, ZINC PLATED	3.000 EA
HW1001A31	LOCKWASHER 5/16, ZINC PLT.591 OD, .319 I	3.000 EA
HW2501H33	KEY, 1/2 SQ X 3.875	1.000 EA
LB1115	LABEL,LIFTING DEVICE	1.000 EA
12CB1003A01	CONDUIT BOX MACH. GROUP C MTRS	1.000 EA
10XN3118K24	5/16-18 X 1.50" HEX HD, GRADE 5	4.000 EA
HW1001A31	LOCKWASHER 5/16, ZINC PLT.591 OD, .319 I	4.000 EA
WD1000B19	TERMINAL BURNDY L250HP	1.000 EA
10XN3816K12	3/8-16 X 3/4 HEX HD CAP GRADE 5	1.000 EA
HW1001A38	LOCKWASHER 3/8, ZINC PLT .688 OD, .382 I	1.000 EA
HW4500A20	1/8NPT SL PIPE PLUG	2.000 EA
MJ1000A75	GREASE, POLYREX EM EXXON	0.200 LB

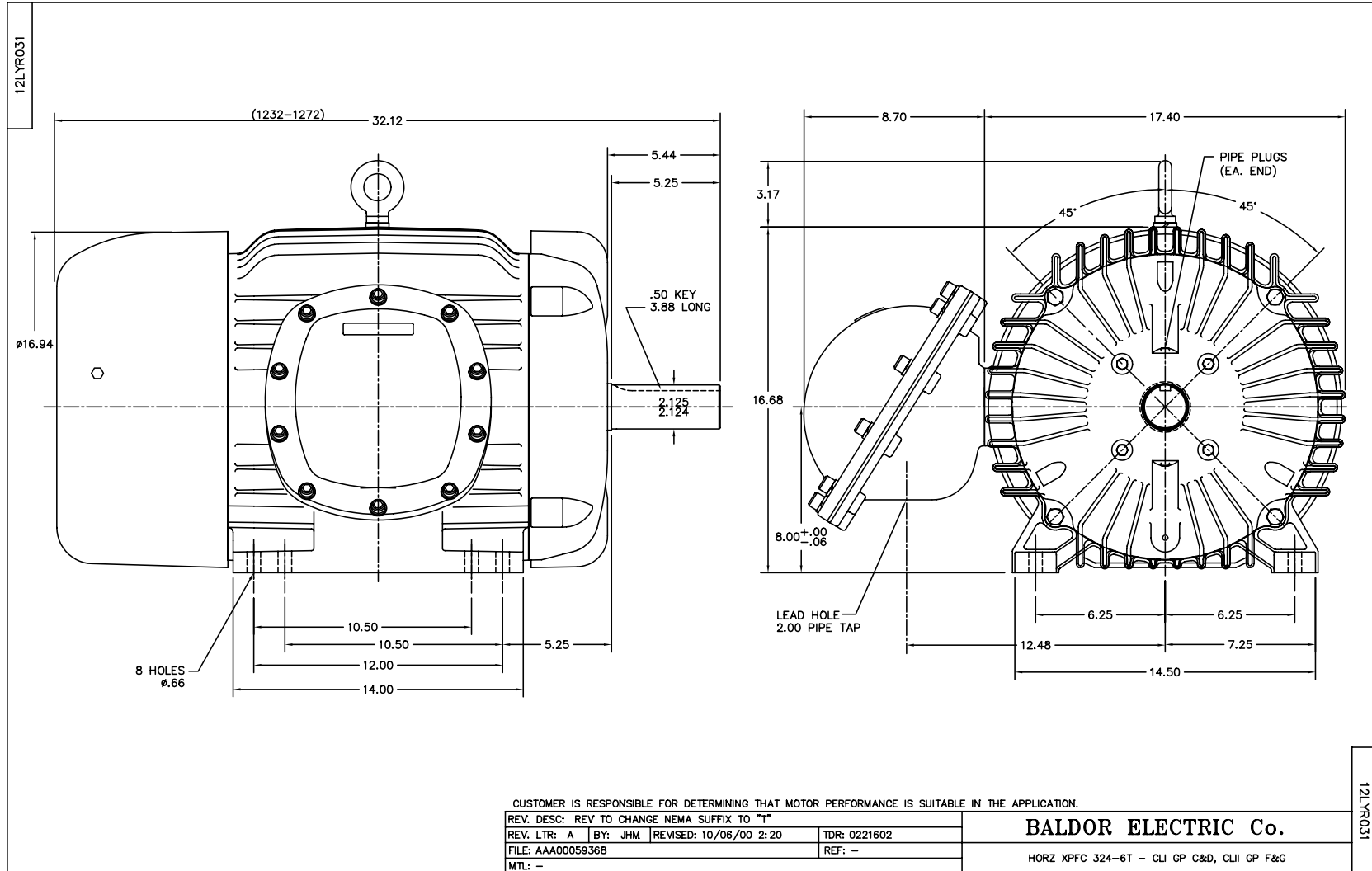
Parts List (continued)		
Part Number	Description	Quantity
HW4500A20	1/8NPT SL PIPE PLUG	2.000 EA
12CB1502A01	CONDUIT BOX LID MACH. GROUP C MTRS	1.000 EA
84XN5013J32	SOCKET HD.CAP SCR,1/2-13 X 2"LG,ALLOY ST	10.000 EA
HW1001A50	LOCKWASHER 1/2, ZINC PLT, .879 OD, .509 I	10.000 EA
MG1025G05	PAINT 789.201 (WILCO) DARK GRAY METALLIC	0.080 GA
85XU0407A04	#4-7 X 1/4 DRIVE PIN	6.000 EA
LB1081	LABEL CSA XPROOF	1.000 EA
LB5040	INSTRUCTION TAG, AC & DC	1.000 EA
09FN5001B03	EXT FAN ASS'Y W/09FN3001B03	1.000 EA
LB1119	WARNING LABEL	1.000 EA
LB1125C02	SUPER-E (STOCK CTN LABEL SUPER-E WITH FL	4.000 EA
LC0181	CONNECTION LABEL	1.000 EA
NP0978XP	UL/CSA, CLI GP-C&D,CLII GP-F&G,CC	1.000 EA
14PA1000	PACKAGING 314 GROUP COMBINED PRINT	1.000 EA
LB1357	ENERGY GUIDE LABEL (BOX LABEL)	2.000 SH

**Performance Data at 460V, 60Hz, 50.0HP (Typical performance - Not guaranteed values)**

General Characteristics							
Full Load Torque:	149.0 LB-FT			Start Configuration:	DOL		
No-Load Current:	20.3 Amps			Break-Down Torque:	446.0 LB-FT		
Line-line Res. @ 25°C.:	0.118 Ohms A Ph / 0.0 Ohms B Ph			Pull-Up Torque:	210.0 LB-FT		
Temp. Rise @ Rated Load:	64 C			Locked-Rotor Torque:	229.0 LB-FT		
Temp. Rise @ S.F. Load:				Starting Current:	392.0 Amps		
Load Characteristics							
% of Rated Load	25	50	75	100	125	150	S.F.
Power Factor:	53.0	73.0	82.0	85.0	87.0	87.0	86.0
Efficiency:	91.5	94.4	94.9	94.7	94.3	93.6	94.5
Speed:	1795.0	1790.0	1784.0	1778.0	1773.0	1765.0	1775.0
Line Amperes:	24.9	34.3	45.8	58.3	71.7	86.0	65.94

Performance Graph at 460V, 60Hz, 50.0HP Typical performance - Not guaranteed values

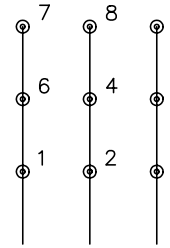




CD0180

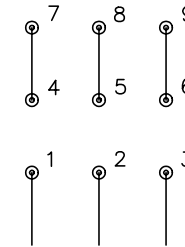


LOW VOLTAGE  
(2D)



LINE

HIGH VOLTAGE  
(1D)



LINE

NOTES:

1. INTERCHANGE ANY TWO LINE LEADS TO REVERSE ROTATION.
2. OPTIONAL THERMOSTATS ARE PROVIDED WHEN SPECIFIED.
3. ACTUAL NUMBER OF INTERNAL PARALLEL CIRCUITS MAY BE A MULTIPLE OF THOSE SHOWN ABOVE.
4. LEAD COLORS ARE OPTIONAL. LEADS MUST ALWAYS BE NUMBERED AS SHOWN.

REV. DESC: REVISE TO SHOW OPTIONAL COLORS			
REV. LTR: C	BY: JLP	REVISED: 01/21/99 2:28	TDR: 0171435
0810D0		FILE: AAA00005148	MDL: -
		MTL: -	

**BALDOR ELECTRIC Co.**

3PH, DV, 9 LEADS, DELTA CONNECTION

CD0180