

BALDOR® • RELIANCE

Product Information Packet

ELECTRIC MOTOR WHOLESAL.COM

EM7114T-C

1//.75HP,1760//1460RPM,3PH,60//50HZ,143T

Part Detail							
Revision:	A	Status:	PRD/A	Change #:		Proprietary:	No
Type:	AC	Prod. Type:	0519M	Elec. Spec:	05WGX122	CD Diagram:	
Enclosure:	XPFC	Mfg Plant:		Mech. Spec:	05E347	Layout:	
Frame:	143T	Mounting:	F1	Poles:	04	Created Date:	08-03-2010
Base:	RG	Rotation:	R	Insulation:	B	Eff. Date:	02-24-2011
Leads:	9#18	Literature:		Elec. Diagram:		Replaced By:	

Nameplate NP0978XP

NO.		TEMP CODE	T4				
SPEC.	05E347X122G1	DE BRG	6205				
CAT.NO.	EM7114T-C	ODE BRG	6203				
HP	1//.75	GREASE	POLYREX EM				
VOLTS	230/460//190/380	MOTOR WEIGHT	70 LBS				
AMPS	3/1.5//3/1.4	NEMA-NOM-EFF	85.5				
RPM	1760//1460	FL PF	71				
CYCLE	60//50	PH	3	CL	B	FRAME	143T
SER.F.	1.00	DES	B	CODE	L	CC	010A
SER.		BLANK					
RATING	40C AMB-CONT						
USABLE AT 208V	3.1						

Parts List		
Part Number	Description	Quantity
SA201058	SA 05E347X122G1	1.000 EA
RA188363	RA 05E347X122G1	1.000 EA
34FN3002B01	EXTERNAL FAN, PLASTIC, .637/.639 HUB W/	1.000 EA
HW3201A05	3/8-16 EYEBOLT	1.000 EA
HW4002A18	1"HEX STEEL PIPE NIPPLE FOR 305XP MTRS	1.000 EA
HW3021F12	SPRING PIN, .156 X 1.25	1.000 EA
11XW1032G06	10-32 X .38, TAPTITE II, HEX WSHR SLTD U	1.000 EA
HW3001B01	003SS CUP WASHER, FOR #8 SCREW	1.000 EA
35EP1715A02	FR ENDPLATE,TEFC,35M,X-PROOF MTR,GROUP"C	1.000 EA
84XN3118J20	5/16-18 X 1 1/4" SOC HD CAP SCREW	4.000 EA
HW5100A03SP	WAVY WASHER (W1543-017)	1.000 EA
05EP1700A01	EP PU EXPL PROOF 205 BRG -GROUP C MTRS	1.000 EA
84XN3118J20	5/16-18 X 1 1/4" SOC HD CAP SCREW	4.000 EA
51XB1214A16	12-14X1.00 HXWSSLD SERTYB	1.000 EA
35FH1000A02	SPL FAN COVER MODEL 35	1.000 EA
10XN2520A18	1/4-20 X 1-1/8 HEX CAP SCREW.	3.000 EA
HW1001A25	LOCKWASHER 1/4, ZINC PLT .493 OD, .255 I	3.000 EA
35CB1501A01	CONDUIT BOX LID, MACH. - GROUP "C"MTRS	1.000 EA
LB1359	LABEL, UL/CSA "XP"	1.000 EA
85XU0407S04	4X1/4 U DRIVE PIN STAINLESS	2.000 EA
RM1020A41	O-RING, -150 BUNA-N, .103 CS X 2.862 ID	1.000 EA
HW2501D13SP	KEY, 3/16 SQ X 1.375	1.000 EA
HA7000A01	KEY RETAINER 7/8" DIA SHAFT	1.000 EA
85XU0407S04	4X1/4 U DRIVE PIN STAINLESS	4.000 EA

Parts List (continued)		
Part Number	Description	Quantity
35CB1005A01	CONDUIT BOX,MACH - GROUP "C" MTRS	1.000 EA
MJ1000A75	GREASE, POLYREX EM EXXON	0.050 LB
MG1025Z20	ACTIVATOR WILKOFAST 060.32	0.010 GA
MG1025G29	PAINT 789.205 DARK GRAY METALLIC (USE W/	0.017 GA
LB1119	WARNING LABEL	1.000 EA
LB1125C02	SUPER-E (STOCK CTN LABEL SUPER-E WITH FL	1.000 EA
LC0145B01	CONNECTION LABEL	1.000 EA
LB1357	ENERGY GUIDE LABEL (BOX LABEL)	1.000 SH
NP0978XP	UL/CSA, CLI GP-C&D,CLII GP-F&G,CC	1.000 EA
36PA1001	PACKAGING GROUP	1.000 EA

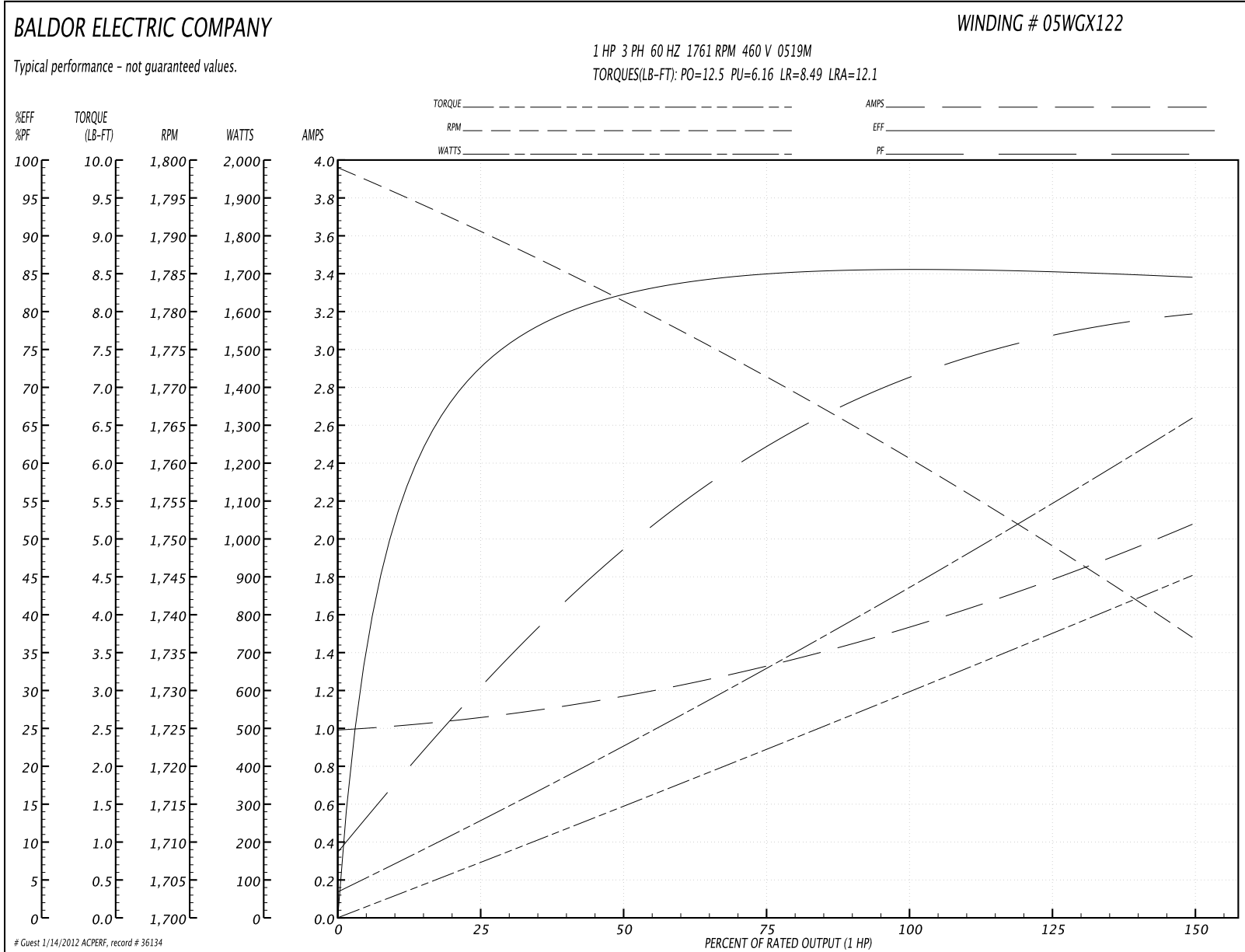
Performance Data at 460V, 60Hz, 1.0HP (Typical performance - Not guaranteed values)
General Characteristics

Full Load Torque:	2.97 LB-FT	Start Configuration:	DOL
No-Load Current:	1.0 Amps	Break-Down Torque:	12.5 LB-FT
Line-line Res. @ 25°C.:	16.3 Ohms A Ph / 0.0 Ohms B Ph	Pull-Up Torque:	6.16 LB-FT
Temp. Rise @ Rated Load:	30 C	Locked-Rotor Torque:	8.49 LB-FT
Temp. Rise @ S.F. Load:		Starting Current:	12.1 Amps

Load Characteristics

% of Rated Load	25	50	75	100	125	150	S.F.
Power Factor:	30.0	49.0	62.0	71.0	76.0	80.0	0.0
Efficiency:	72.0	81.9	84.8	85.8	85.4	84.5	0.0
Speed:	1791.0	1781.0	1772.0	1761.0	1749.0	1737.0	0.0
Line Amperes:	1.05	1.15	1.33	1.54	1.79	2.07	0.0

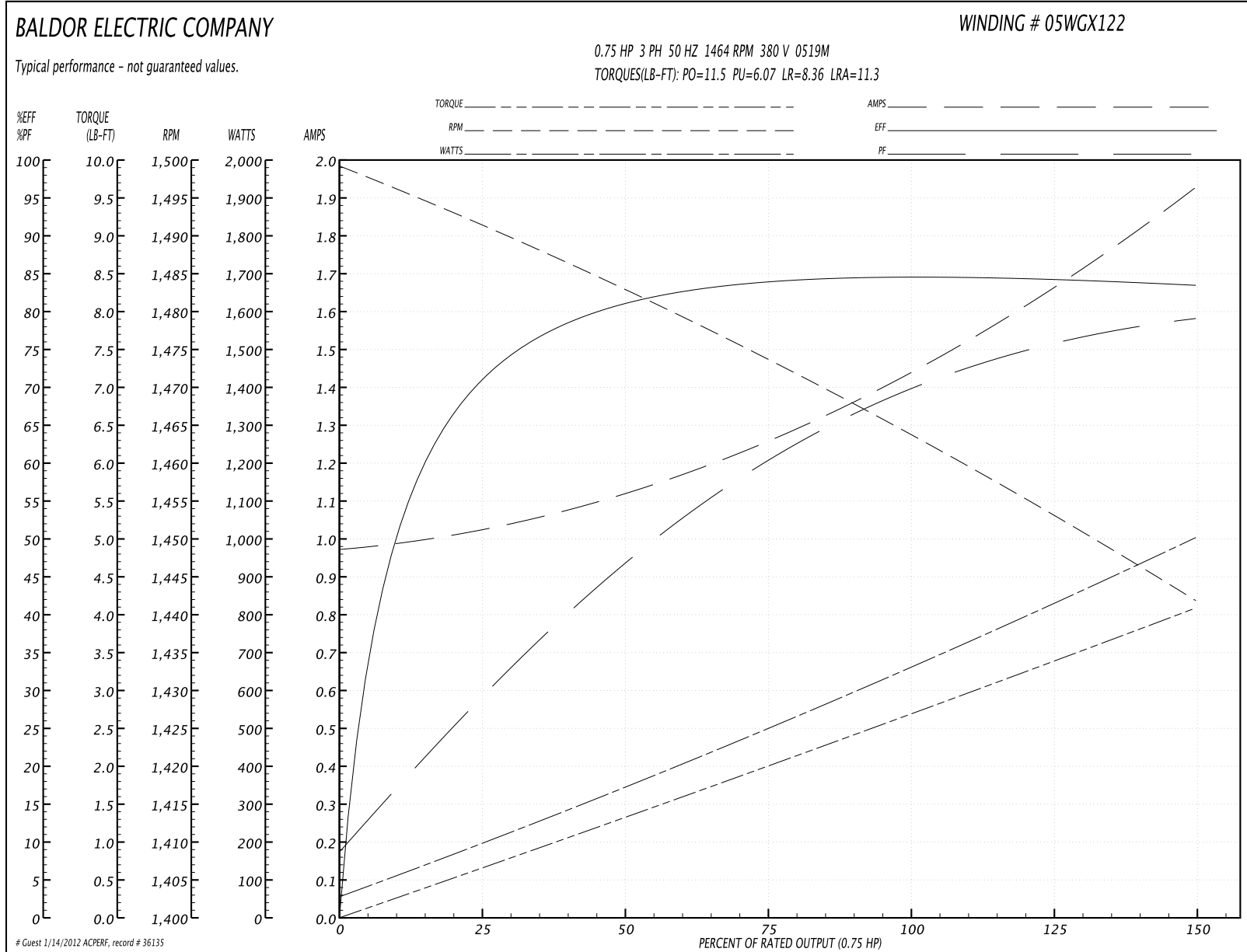
Performance Graph at 460V, 60Hz, 1.0HP Typical performance - Not guaranteed values

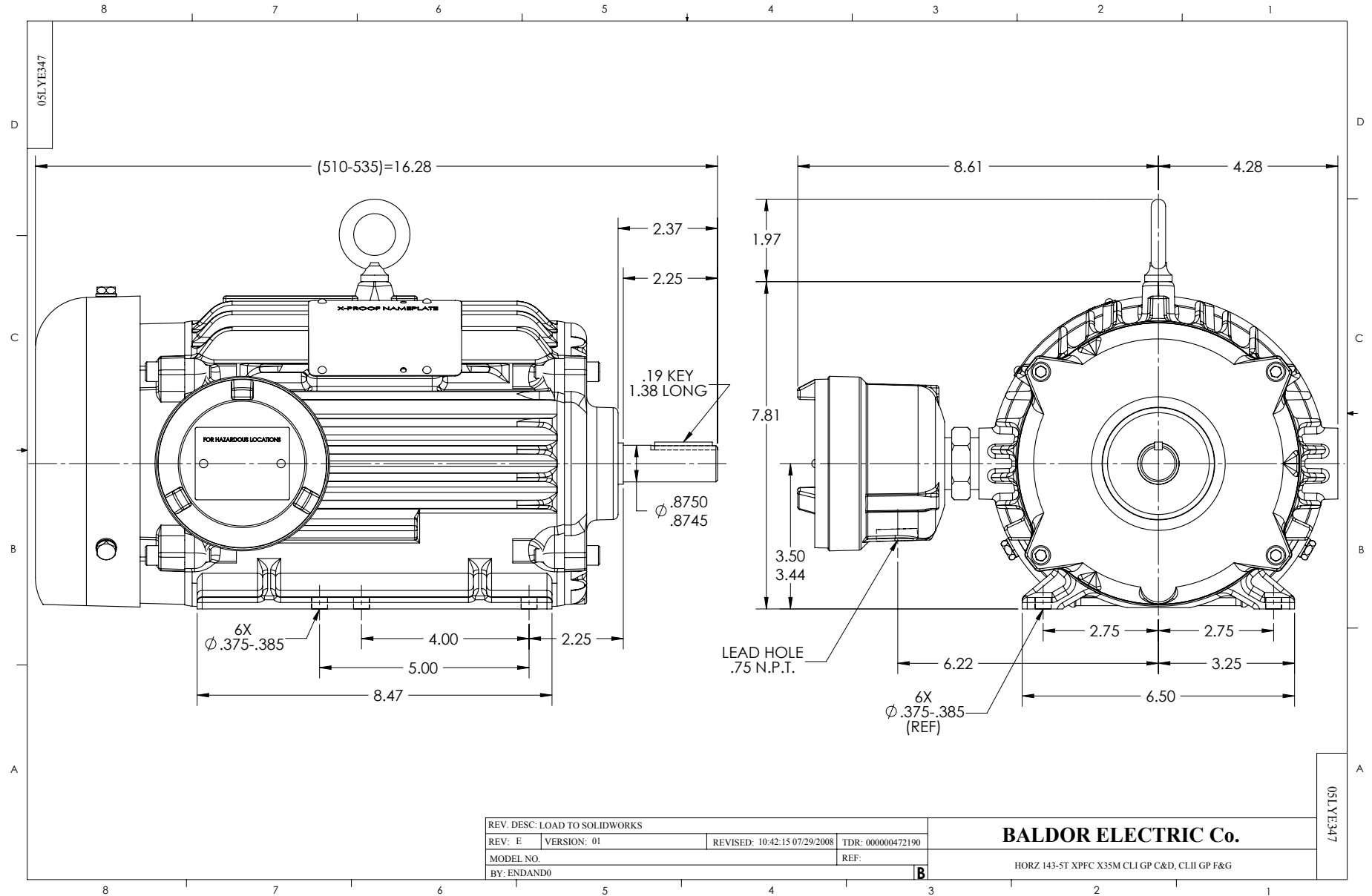


Performance Data at 380V, 50Hz, 0.75HP (Typical performance - Not guaranteed values)

General Characteristics							
Full Load Torque:	2.68 LB-FT			Start Configuration:	DOL		
No-Load Current:	0.979 Amps			Break-Down Torque:	11.5 LB-FT		
Line-line Res. @ 25°C.:	16.3 Ohms A Ph / 0.0 Ohms B Ph			Pull-Up Torque:	6.07 LB-FT		
Temp. Rise @ Rated Load:	27 C			Locked-Rotor Torque:	8.36 LB-FT		
Temp. Rise @ S.F. Load:				Starting Current:	11.3 Amps		
Load Characteristics							
% of Rated Load	25	50	75	100	125	150	S.F.
Power Factor:	29.0	47.0	60.0	69.0	75.0	80.0	0.0
Efficiency:	70.7	80.5	83.8	84.9	84.4	83.4	0.0
Speed:	1492.0	1483.0	1474.0	1464.0	1453.0	1442.0	0.0
Line Amperes:	1.02	1.1	1.26	1.44	1.67	1.92	0.0

Performance Graph at 380V, 50Hz, 0.75HP Typical performance - Not guaranteed values





CD0005

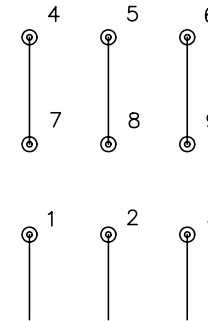


LOW VOLTAGE
(2Y)



LINE

HIGH VOLTAGE
(1Y)



LINE

NOTES:

1. INTERCHANGE ANY TWO LINE LEADS TO REVERSE ROTATION.
2. OPTIONAL THERMOSTATS ARE PROVIDED WHEN SPECIFIED.
3. ACTUAL NUMBER OF INTERNAL PARALLEL CIRCUITS MAY BE A MULTIPLE OF THOSE SHOWN ABOVE.
4. LEAD COLORS ARE OPTIONAL. LEADS MUST ALWAYS BE NUMBERED AS SHOWN.

REV. DESC: REVISE TO SHOW OPTIONAL COLORS			
REV. LTR: E	BY: JLP	REVISED: 01/19/99 10:15	TDR: 0171435
900000		FILE: AAA00005140	MDL: -
		MTL: -	

BALDOR ELECTRIC Co.

3PH, DV, 9 LEADS

CD0005