

BALDOR® • RELIANCE

Product Information Packet

ELECTRIC MOTOR WHOLESAL.COM

EM7134T-C

1.5HP, 1765RPM, 3PH, 60HZ, 145T, 0526M, XPFC, F

Part Detail							
Revision:	-	Status:	PRD/A	Change #:		Proprietary:	No
Type:	AC	Prod. Type:	0526M	Elec. Spec:	05WGX163	CD Diagram:	
Enclosure:	XPFC	Mfg Plant:		Mech. Spec:	05E347	Layout:	
Frame:	145T	Mounting:	F1	Poles:	04	Created Date:	06-01-2011
Base:	RG	Rotation:	R	Insulation:	B	Eff. Date:	06-06-2011
Leads:	9#18	Literature:		Elec. Diagram:		Replaced By:	

Nameplate NP0978XP							
NO.		TEMP CODE	T4				
SPEC.	05E347X163G1	DE BRG	6205				
CAT.NO.	EM7134T-C	ODE BRG	6203				
HP	1.5	GREASE	POLYREX EM				
VOLTS	208-230/460	MOTOR WEIGHT	172 LBS				
AMPS	4.6/2.3	NEMA-NOM-EFF	86.5				
RPM	1765	FL PF	71				
CYCLE	60	PH	3	CL	B	FRAME	145T
SER.F.	1.00	DES	B	CODE	M	CC	010A
SER.		BLANK					
RATING	40C AMB-CONT						
USABLE AT 208V							

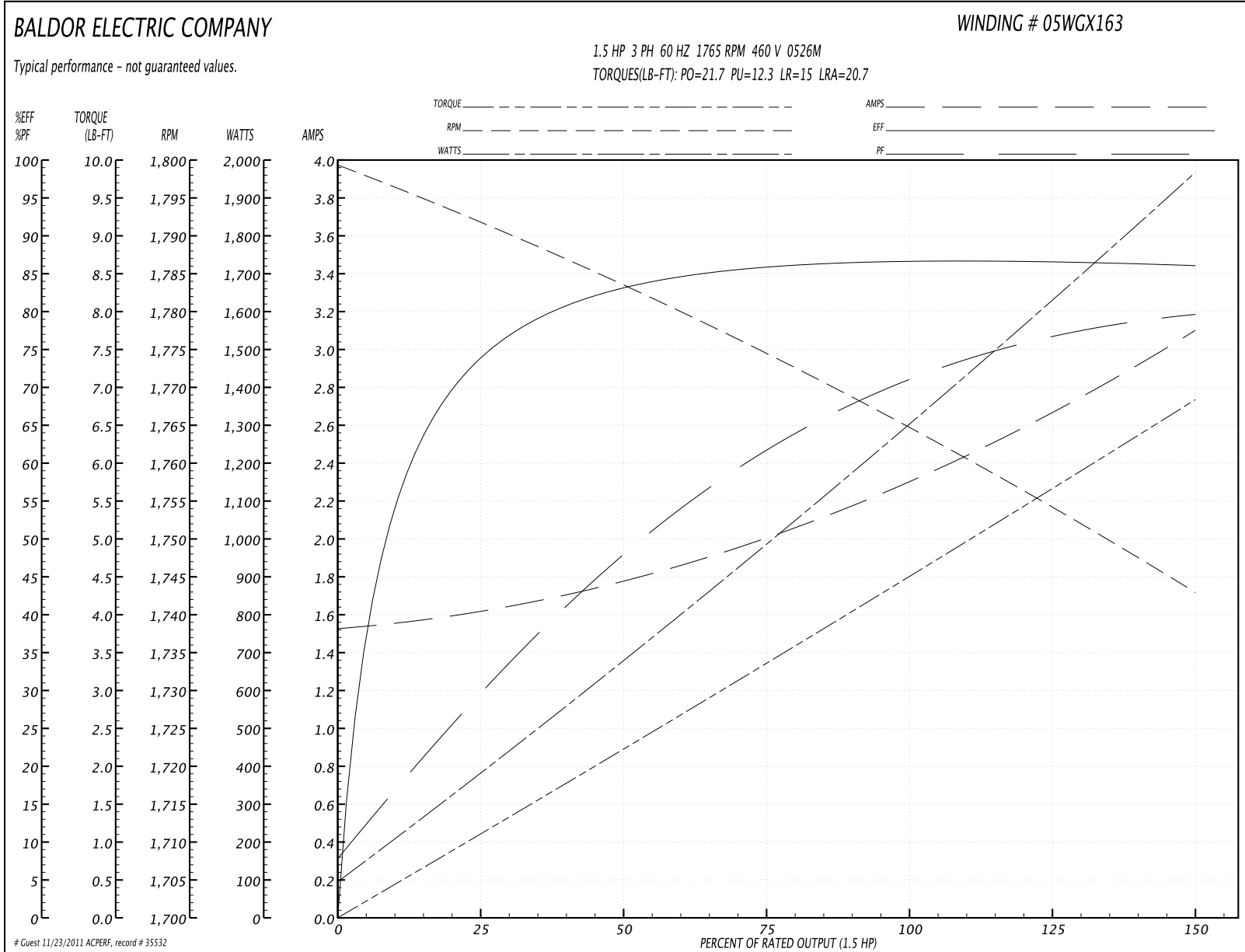
Parts List		
Part Number	Description	Quantity
SA224429	SA 05E347X163G1	1.000 EA
RA211540	RA 05E347X163G1	1.000 EA
34FN3002B01	EXTERNAL FAN, PLASTIC, .637/.639 HUB W/	1.000 EA
HW3201A05	3/8-16 EYEBOLT	1.000 EA
HW4002A18	1"HEX STEEL PIPE NIPPLE FOR 305XP MTRS	1.000 EA
HW3021F12	SPRING PIN, .156 X 1.25	1.000 EA
11XW1032G06	10-32 X .38, TAPTITE II, HEX WSHR SLTD U	1.000 EA
HW3001B01	003SS CUP WASHER, FOR #8 SCREW	1.000 EA
35EP1715A02	FR ENDPLATE,TEFC,35M,X-PROOF MTR,GROUP"C	1.000 EA
84XN3118J20	5/16-18 X 1 1/4" SOC HD CAP SCREW	4.000 EA
HW5100A03SP	WAVY WASHER (W1543-017)	1.000 EA
05EP1700A01	EP PU EXPL PROOF 205 BRG -GROUP C MTRS	1.000 EA
84XN3118J20	5/16-18 X 1 1/4" SOC HD CAP SCREW	4.000 EA
51XB1214A16	12-14X1.00 HXWSSLD SERTYB	1.000 EA
35FH1000A02	SPL FAN COVER MODEL 35	1.000 EA
10XN2520A18	1/4-20 X 1-1/8 HEX CAP SCREW.	3.000 EA
HW1001A25	LOCKWASHER 1/4, ZINC PLT .493 OD, .255 I	3.000 EA
35CB1501A01	CONDUIT BOX LID, MACH. - GROUP "C"MTRS	1.000 EA
LB1359	LABEL, UL/CSA "XP"	1.000 EA
85XU0407S04	4X1/4 U DRIVE PIN STAINLESS	2.000 EA
RM1020A41	O-RING, -150 BUNA-N, .103 CS X 2.862 ID	1.000 EA
HW2501D13SP	KEY, 3/16 SQ X 1.375	1.000 EA
HA7000A01	KEY RETAINER 7/8" DIA SHAFT	1.000 EA
85XU0407S04	4X1/4 U DRIVE PIN STAINLESS	4.000 EA

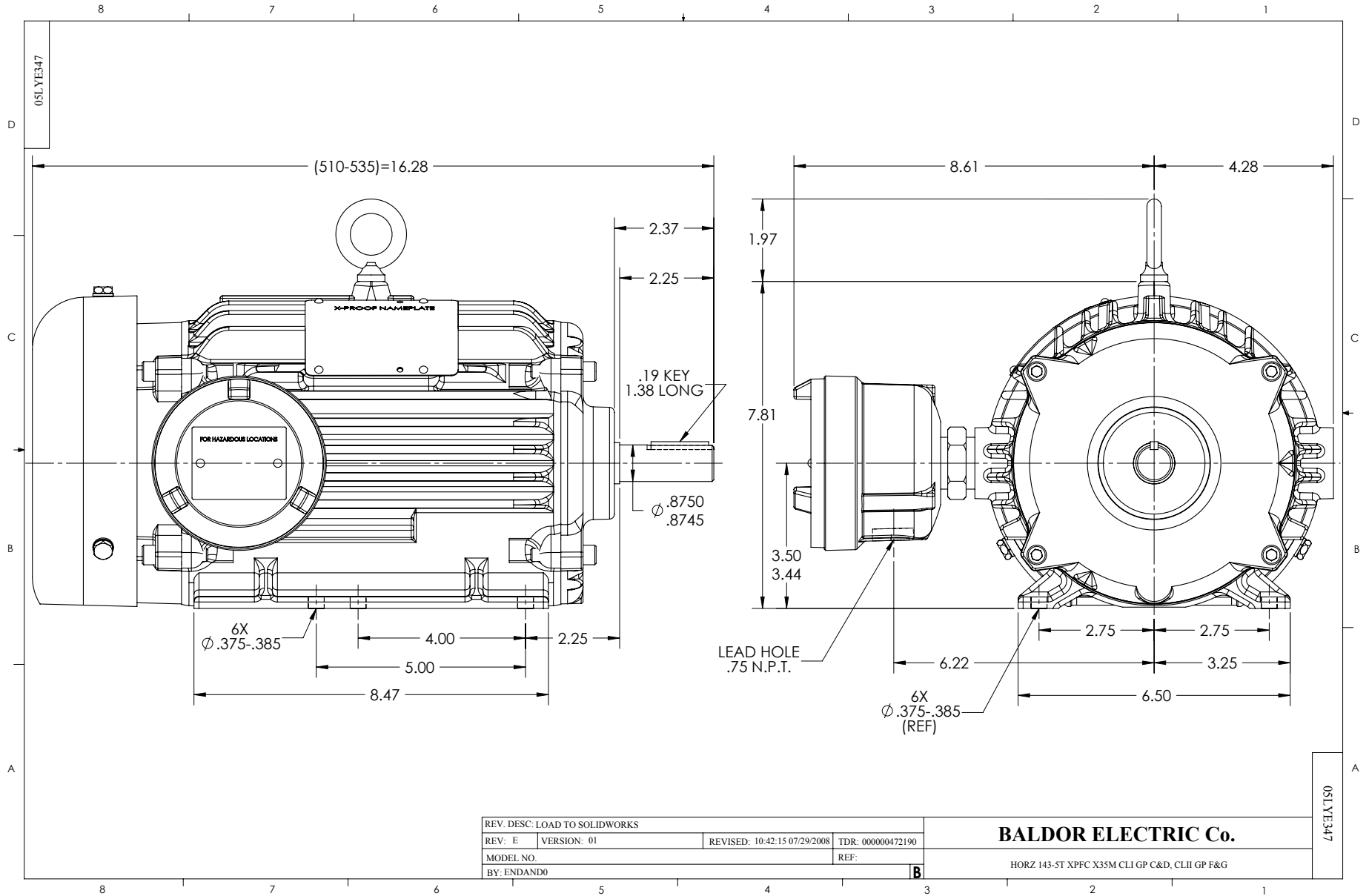
Parts List (continued)		
Part Number	Description	Quantity
35CB1005A01	CONDUIT BOX,MACH - GROUP "C" MTRS	1.000 EA
MJ1000A75	GREASE, POLYREX EM EXXON	0.050 LB
MG1025Z20	ACTIVATOR WILKOFAST 060.32	0.010 GA
MG1025G29	PAINT 789.205 DARK GRAY METALLIC (USE W/	0.017 GA
LB1119	WARNING LABEL	1.000 EA
LB1125C02	SUPER-E (STOCK CTN LABEL SUPER-E WITH FL	1.000 EA
LB1357	ENERGY GUIDE LABEL (BOX LABEL)	1.000 SH
LC0145B01	CONNECTION LABEL	1.000 EA
NP0978XP	UL/CSA, CLI GP-C&D,CLII GP-F&G,CC	1.000 EA
37PA1052	PACKAGING GROUP, 150 LB MTR 2 X 4 RUNNER	1.000 EA

Performance Data at 460V, 60Hz, 1.5HP (Typical performance - Not guaranteed values)

General Characteristics							
Full Load Torque:	4.54 LB-FT			Start Configuration:	DOL		
No-Load Current:	1.54 Amps			Break-Down Torque:	21.7 LB-FT		
Line-line Res. @ 25°C.:	9.15 Ohms A Ph / 0.0 Ohms B Ph			Pull-Up Torque:	12.3 LB-FT		
Temp. Rise @ Rated Load:	34 C			Locked-Rotor Torque:	15.0 LB-FT		
Temp. Rise @ S.F. Load:	40 C			Starting Current:	20.7 Amps		
Load Characteristics							
% of Rated Load	25	50	75	100	125	150	S.F.
Power Factor:	31.0	49.0	62.0	71.0	77.0	80.0	0.0
Efficiency:	74.5	83.1	85.9	87.0	86.6	86.0	0.0
Speed:	1792.0	1783.0	1774.0	1764.0	1754.0	1743.0	0.0
Line Amperes:	1.61	1.77	2.03	2.32	2.69	3.09	0.0

Performance Graph at 460V, 60Hz, 1.5HP Typical performance - Not guaranteed values





CD0005



LOW VOLTAGE
(2Y)



LINE

HIGH VOLTAGE
(1Y)



LINE

NOTES:

1. INTERCHANGE ANY TWO LINE LEADS TO REVERSE ROTATION.
2. OPTIONAL THERMOSTATS ARE PROVIDED WHEN SPECIFIED.
3. ACTUAL NUMBER OF INTERNAL PARALLEL CIRCUITS MAY BE A MULTIPLE OF THOSE SHOWN ABOVE.
4. LEAD COLORS ARE OPTIONAL. LEADS MUST ALWAYS BE NUMBERED AS SHOWN.

REV. DESC: REVISE TO SHOW OPTIONAL COLORS			
REV. LTR: E	BY: JLP	REVISED: 01/19/99 10:15	TDR: 0171435
900000		FILE: AAA00005140	MDL: -
		MTL: -	

BALDOR ELECTRIC Co.

3PH, DV, 9 LEADS

CD0005