

BALDOR® • **RELIANCE**

Product Information Packet

ELECTRIC MOTOR WHOLESAL.COM

EM7137T

2//1.5HP,1750//1450RPM,3PH,60//50HZ,145T

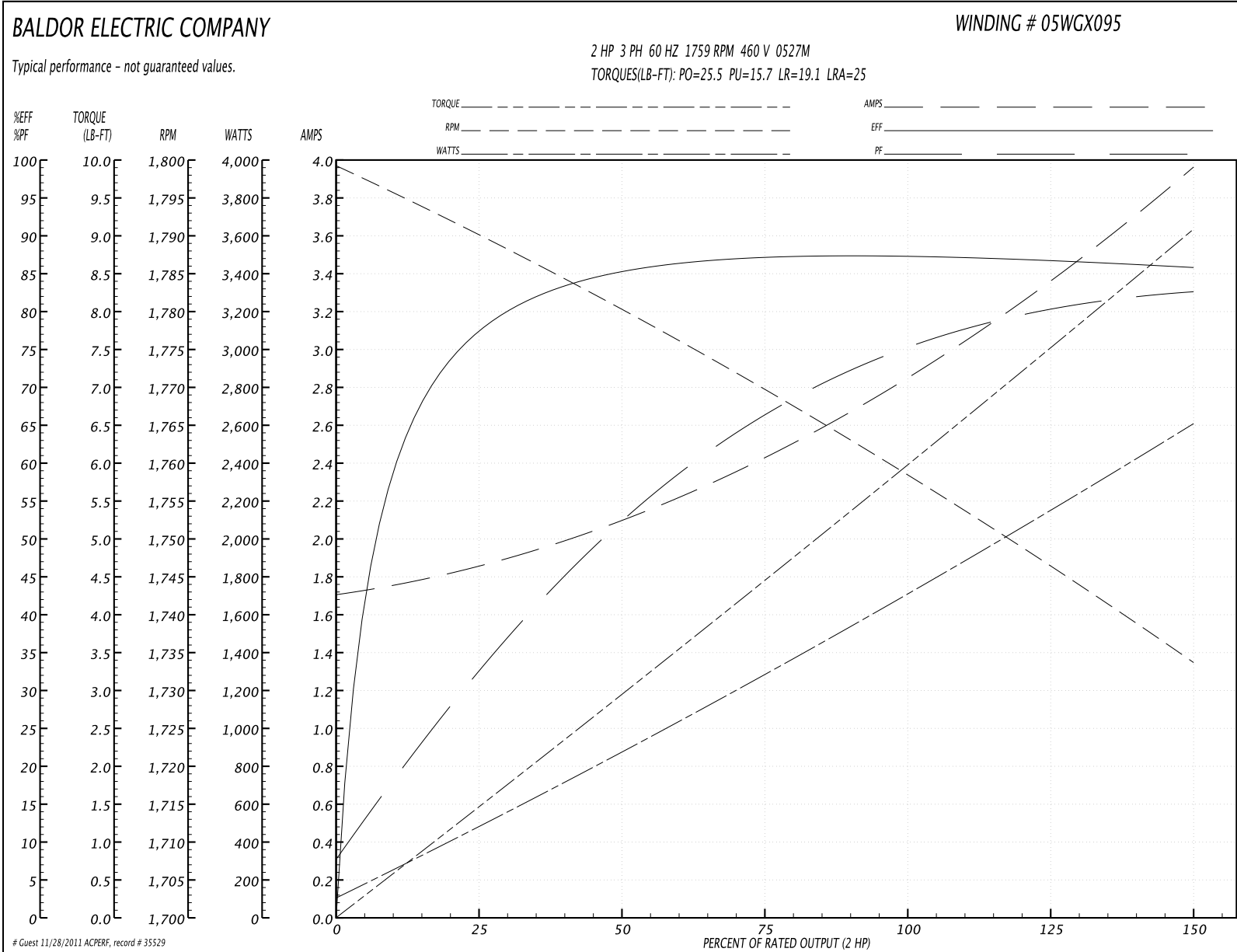
Part Detail							
Revision:	D	Status:	PRD/A	Change #:		Proprietary:	No
Type:	AC	Prod. Type:	0527M	Elec. Spec:	05WGX095	CD Diagram:	
Enclosure:	XPFC	Mfg Plant:		Mech. Spec:	05E346	Layout:	
Frame:	145T	Mounting:	F1	Poles:	04	Created Date:	10-20-2010
Base:	RG	Rotation:	R	Insulation:	B	Eff. Date:	08-20-2011
Leads:	9#18	Literature:		Elec. Diagram:		Replaced By:	
Nameplate NP1426XP							
NO.		CC	010A				
SER.							
SPEC.	05E346X095G1						
CAT.NO.	EM7137T						
HP	2//1.5	T. CODE	T3C				
VOLTS	230/460//190/380						
AMPS	5.8/2.9//5.4/2.7						
RPM	1750//1450						
HZ	60//50	PH	3	CL	B		
SER.F.	1.00	DES	B	CODE	L		
RATING	40C AMB-CONT						
FRAME	145T	NEMA-NOM-EFF	86.5	PF	75		
USABLE AT 208V							

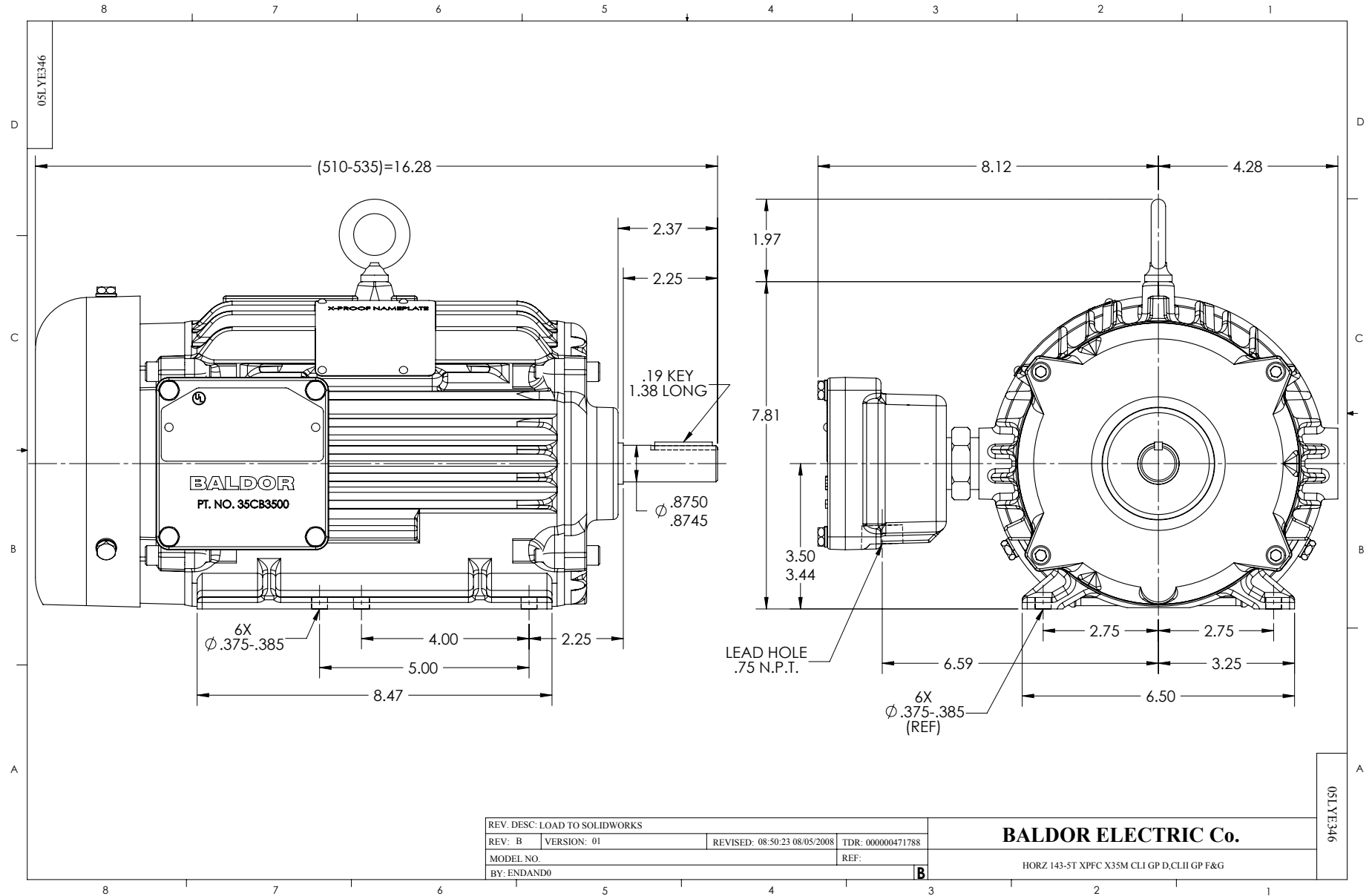
Parts List		
Part Number	Description	Quantity
SA204969	SA 05E346X095G1	1.000 EA
RA192217	RA 05E346X095G1	1.000 EA
34FN3002B01	EXTERNAL FAN, PLASTIC, .637/.639 HUB W/	1.000 EA
HW4002A18	1"HEX STEEL PIPE NIPPLE FOR 305XP MTRS	1.000 EA
HW3021F12	SPRING PIN, .156 X 1.25	1.000 EA
35CB1000A01	CONDUIT BOX NEMA 182-215T - 36X & 37X	1.000 EA
11XW1032G06	10-32 X .38, TAPTITE II, HEX WSHR SLTD U	1.000 EA
HW3001B01	003SS CUP WASHER, FOR #8 SCREW	1.000 EA
35EP1715A01	FR ENDPLATE, TEFC, 35M, X-PROOF MTR	1.000 EA
84XN3118J20	5/16-18 X 1 1/4" SOC HD CAP SCREW	4.000 EA
HW5100A03SP	WAVY WASHER (W1543-017)	1.000 EA
05EP1700A02	EP PU EXPL PROOF 205 BRG	1.000 EA
84XN3118J20	5/16-18 X 1 1/4" SOC HD CAP SCREW	4.000 EA
51XB1214A16	12-14X1.00 HXWSSLD SERTYB	1.000 EA
35FH1000A02	SPL FAN COVER MODEL 35	1.000 EA
10XN2520A18	1/4-20 X 1-1/8 HEX CAP SCREW.	3.000 EA
35CB1500A02	BOX LID FOR 35CB1000, X-PROOF CONDUIT BO	1.000 EA
51XN2520A16	SCREW, HEX WS SLT, ZN, 1/4-20 X 1.00	4.000 EA
HW2501D13SP	KEY, 3/16 SQ X 1.375	1.000 EA
HA7000A01	KEY RETAINER 7/8" DIA SHAFT	1.000 EA
85XU0407S04	4X1/4 U DRIVE PIN STAINLESS	6.000 EA
LB1115	LABEL,LIFTING DEVICE	1.000 EA
NP0018	NP- XP CONDUIT BOX DO NOT MAKE SELLABLE	1.000 EA
MJ1000A75	GREASE, POLYREX EM EXXON	0.050 LB

Parts List (continued)		
Part Number	Description	Quantity
MG1025Z20	ACTIVATOR WILKOFAS 060.32	0.010 GA
MG1025G29	PAINT 789.205 DARK GRAY METALLIC (USE W/	0.017 GA
LB1119	WARNING LABEL	1.000 EA
LC0145B01	CONNECTION LABEL	1.000 EA
LB1125C02	SUPER-E (STOCK CTN LABEL SUPER-E WITH FL	1.000 EA
LB1357	ENERGY GUIDE LABEL (BOX LABEL)	1.000 SH
NP1426XP	UL/CSA, CLI GP-D,CLII GP-F&G,CC	1.000 EA
36PA1001	PACKAGING GROUP	1.000 EA

Performance Data at 460V, 60Hz, 2.0HP (Typical performance - Not guaranteed values)							
General Characteristics							
Full Load Torque:	5.95 LB-FT			Start Configuration:	DOL		
No-Load Current:	1.73 Amps			Break-Down Torque:	25.5 LB-FT		
Line-line Res. @ 25°C.:	7.65 Ohms A Ph / 0.0 Ohms B Ph			Pull-Up Torque:	15.7 LB-FT		
Temp. Rise @ Rated Load:	47 C			Locked-Rotor Torque:	19.1 LB-FT		
Temp. Rise @ S.F. Load:				Starting Current:	25.0 Amps		
Load Characteristics							
% of Rated Load	25	50	75	100	125	150	S.F.
Power Factor:	32.0	53.0	66.0	74.0	80.0	83.0	0.0
Efficiency:	76.6	85.2	87.1	87.4	86.9	85.8	0.0
Speed:	1791.0	1780.0	1770.0	1759.0	1746.0	1734.0	0.0
Line Amperes:	1.83	2.06	2.43	2.87	3.37	3.94	0.0

Performance Graph at 460V, 60Hz, 2.0HP Typical performance - Not guaranteed values





CD0005



LOW VOLTAGE
(2Y)



LINE

HIGH VOLTAGE
(1Y)



LINE

NOTES:

1. INTERCHANGE ANY TWO LINE LEADS TO REVERSE ROTATION.
2. OPTIONAL THERMOSTATS ARE PROVIDED WHEN SPECIFIED.
3. ACTUAL NUMBER OF INTERNAL PARALLEL CIRCUITS MAY BE A MULTIPLE OF THOSE SHOWN ABOVE.
4. LEAD COLORS ARE OPTIONAL. LEADS MUST ALWAYS BE NUMBERED AS SHOWN.

REV. DESC: REVISE TO SHOW OPTIONAL COLORS			
REV. LTR: E	BY: JLP	REVISED: 01/19/99 10:15	TDR: 0171435
900000		FILE: AAA00005140	MDL: -
		MTL: -	

BALDOR ELECTRIC Co.

3PH, DV, 9 LEADS

CD0005