

BALDOR® • RELIANCE

Product Information Packet

ELECTRIC MOTOR WHOLESALE.COM

EM7144T-C

5//3HP,1750//1450RPM,3PH,60//50HZ,184T,0

Part Detail							
Revision:	-	Status:	PRD/A	Change #:		Proprietary:	No
Type:	AC	Prod. Type:	0641M	Elec. Spec:	06WGX182	CD Diagram:	
Enclosure:	XPFC	Mfg Plant:		Mech. Spec:	06H297	Layout:	
Frame:	184T	Mounting:	F1	Poles:	04	Created Date:	08-04-2010
Base:	RG	Rotation:	R	Insulation:	B	Eff. Date:	08-09-2010
Leads:	9#16	Literature:		Elec. Diagram:		Replaced By:	

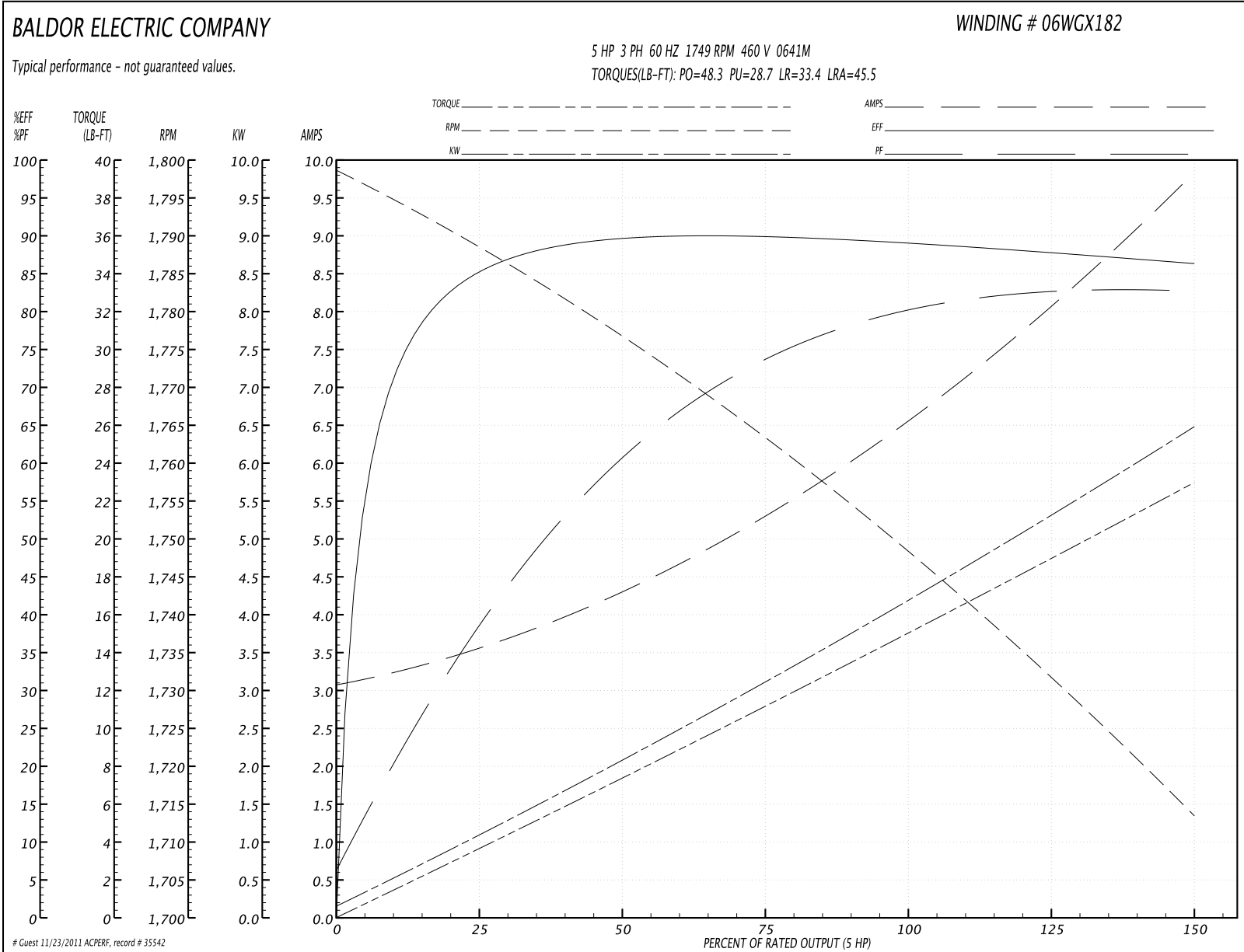
Nameplate NP1482XP							
NO.		CC				010A	
SER.							
SPEC.	06H297X182G1						
CAT.NO.	EM7144T-C						
HP	5//3	T. CODE				T4	
VOLTS	230/460//190/380						
AMPS	13.2/6//10.4/5.2						
RPM	1750//1450						
HZ	60//50	PH		3	CL		B
SER.F.	1.00	DES		B	CODE		J
RATING	40C AMB-CONT						
FRAME	184T	NEMA-NOM-EFF		89.5	PF		79
USABLE AT 208V	14						

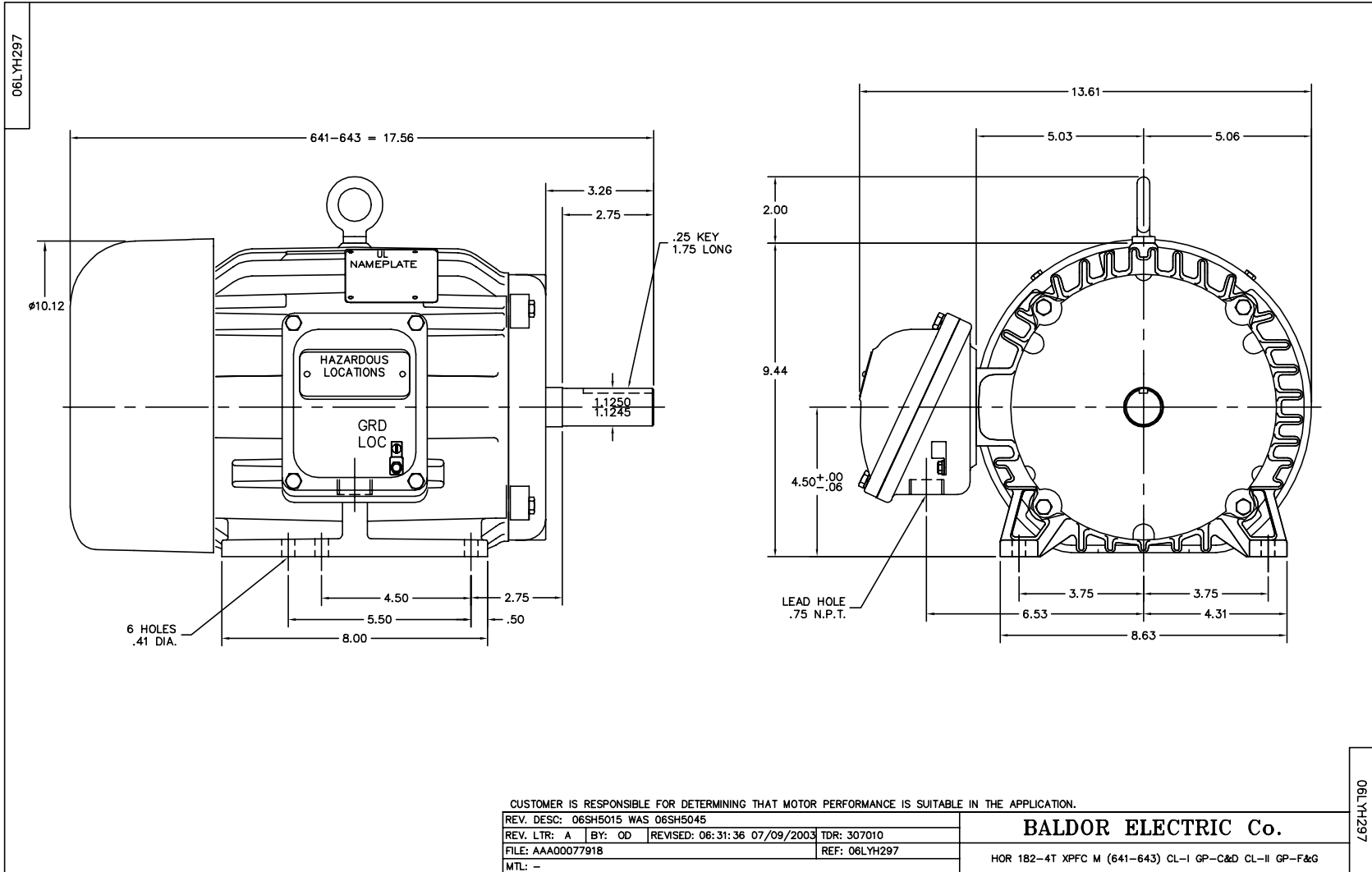
Parts List		
Part Number	Description	Quantity
SA200978	SA 06H297X182G1	1.000 EA
RA188283	RA 06H297X182G1	1.000 EA
36FN3000C01SP	EXFN, PLASTIC, 5.25 OD, .912 ID	1.000 EA
HW3201A05	3/8-16 EYEBOLT	1.000 EA
07CB1000A02	CONDUIT BOX, MODEL 306,EXP. PROOF	1.000 EA
84XN2520J12	1/4-20 X 3/4 SOC.HD CAP SCR	4.000 EA
HW1001A25	LOCKWASHER 1/4, ZINC PLT .493 OD, .255 I	4.000 EA
WD1000B17	KPA-8C BURNDY TERMINAL	1.000 EA
11XW1032G06	10-32 X .38, TAPTITE II, HEX WSHR SLTD U	1.000 EA
06EP1709A01	SPECIAL FRONT ENDPLATE X06M - XPFC	1.000 EA
HW4500A19	1/4-28X1/4 SLOTTED PLUG F/S	2.000 EA
10XN3118K20	5/16-18 X 1 1/4 GRADE 5 STEEL ZC PLATED	4.000 EA
HW1001A31	LOCKWASHER 5/16, ZINC PLT.591 OD, .319 I	4.000 EA
HW5100A05	WVY WSHR F/205 & 304 BRGS	1.000 EA
36EP1718A01	36 PU EP XPFC 206 BRG	1.000 EA
HW4500A19	1/4-28X1/4 SLOTTED PLUG F/S	2.000 EA
10XN3118K20	5/16-18 X 1 1/4 GRADE 5 STEEL ZC PLATED	4.000 EA
HW1001A31	LOCKWASHER 5/16, ZINC PLT.591 OD, .319 I	4.000 EA
51XB1214A16	12-14X1.00 HXWSSLD SERTYB	1.000 EA
06FH1003A01	FAN COVER, CAST X-PROOF--MACHINING	1.000 EA
51XN1032A14	10-32 X 0.875 HX WS SL SR	4.000 EA
07CB1502A01	CONDUIT BOX LID MACH (DUCTILE IRON)	1.000 EA
84XN2520J16	1/4-20 X 1 SOC HD CAP SCREW	4.000 EA
HW1001A25	LOCKWASHER 1/4, ZINC PLT .493 OD, .255 I	4.000 EA

Parts List (continued)		
Part Number	Description	Quantity
HW2501E16	KEY, 1/4 SQ X 1.750	1.000 EA
HA7000A02	KEY RETAINER RING, 1 1/8 DIA, 1 3/8 DIA	1.000 EA
LB1081	LABEL CSA XPROOF	1.000 EA
LB1115	LABEL,LIFTING DEVICE	1.000 EA
85XU0407S04	4X1/4 U DRIVE PIN STAINLESS	6.000 EA
MJ1000A75	GREASE, POLYREX EM EXXON	0.050 LB
MG1025G29	PAINT 789.205 DARK GRAY METALLIC (USE W/	0.028 GA
MG1025Z20	ACTIVATOR WILKOFASST 060.32	0.010 GA
LB1119	WARNING LABEL	1.000 EA
LB1125C02	SUPER-E (STOCK CTN LABEL SUPER-E WITH FL	1.000 EA
LC0145B01	CONNECTION LABEL	1.000 EA
LB1357	ENERGY GUIDE LABEL (BOX LABEL)	1.000 SH
NP1482XP	UL/CSA, CLI GP-C&D,CLII GP-F&G,CC	1.000 EA
GOPA1000	PACKAGING GROUP	1.000 EA

Performance Data at 460V, 60Hz, 5.0HP (Typical performance - Not guaranteed values)							
General Characteristics							
Full Load Torque:	15.0 LB-FT			Start Configuration:	DOL		
No-Load Current:	3.15 Amps			Break-Down Torque:	48.3 LB-FT		
Line-line Res. @ 25°C.:	2.47 Ohms A Ph / 0.0 Ohms B Ph			Pull-Up Torque:	28.7 LB-FT		
Temp. Rise @ Rated Load:	52 C			Locked-Rotor Torque:	33.4 LB-FT		
Temp. Rise @ S.F. Load:	64 C			Starting Current:	45.5 Amps		
Load Characteristics							
% of Rated Load	25	50	75	100	125	150	S.F.
Power Factor:	41.0	62.0	74.0	79.0	82.0	83.0	0.0
Efficiency:	84.7	89.6	89.6	89.2	88.2	86.1	0.0
Speed:	1788.0	1776.0	1763.0	1749.0	1732.0	1713.0	0.0
Line Amperes:	3.48	4.26	5.34	6.63	8.11	9.79	0.0

Performance Graph at 460V, 60Hz, 5.0HP Typical performance - Not guaranteed values

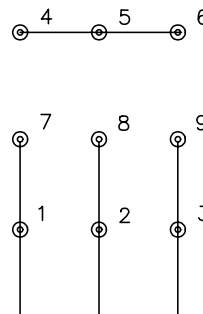




CD0005

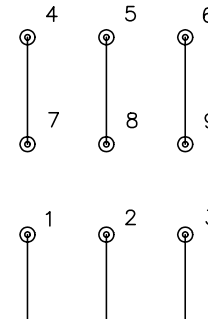


LOW VOLTAGE
(2Y)



LINE

HIGH VOLTAGE
(1Y)



LINE

NOTES:

1. INTERCHANGE ANY TWO LINE LEADS TO REVERSE ROTATION.
2. OPTIONAL THERMOSTATS ARE PROVIDED WHEN SPECIFIED.
3. ACTUAL NUMBER OF INTERNAL PARALLEL CIRCUITS MAY BE A MULTIPLE OF THOSE SHOWN ABOVE.
4. LEAD COLORS ARE OPTIONAL. LEADS MUST ALWAYS BE NUMBERED AS SHOWN.

REV. DESC: REVISE TO SHOW OPTIONAL COLORS

REV. LTR: E BY: JLP

REVISED: 01/19/99 10:15

TDR: 0171435

90000

FILE: AAA00005140

MDL: -

MTL: -

BALDOR ELECTRIC Co.

3PH, DV, 9 LEADS

CD0005