

BALDOR® • RELIANCE

Product Information Packet

ELECTRIC MOTOR WHOLESAL.COM

EM7144T

5HP/1750RPM/3PH/XPFC/NEMA 184T

Part Detail							
Revision:	-	Status:	PRD/A	Change #:		Proprietary:	No
Type:	AC	Prod. Type:	0641M	Elec. Spec:	06WGX182	CD Diagram:	
Enclosure:	XPFC	Mfg Plant:		Mech. Spec:	06J001	Layout:	
Frame:	184T	Mounting:	F1	Poles:	04	Created Date:	08-10-2010
Base:	RG	Rotation:	R	Insulation:	B	Eff. Date:	08-13-2010
Leads:	9#16	Literature:		Elec. Diagram:		Replaced By:	
Nameplate NP1426XP							
NO.				CC		010A	
SER.							
SPEC.	06J001X182G1						
CAT.NO.	EM7144T						
HP	5//3			T. CODE		T3C	
VOLTS	230/460//190/380						
AMPS	13.2/6//10.4/5.2						
RPM	1750//1450						
HZ	60//50			PH	3	CL	B
SER.F.	1.00			DES	B	CODE	J
RATING	40C AMB-CONT						
FRAME	184T			NEMA-NOM-EFF	89.5	PF	79
USABLE AT 208V	14						

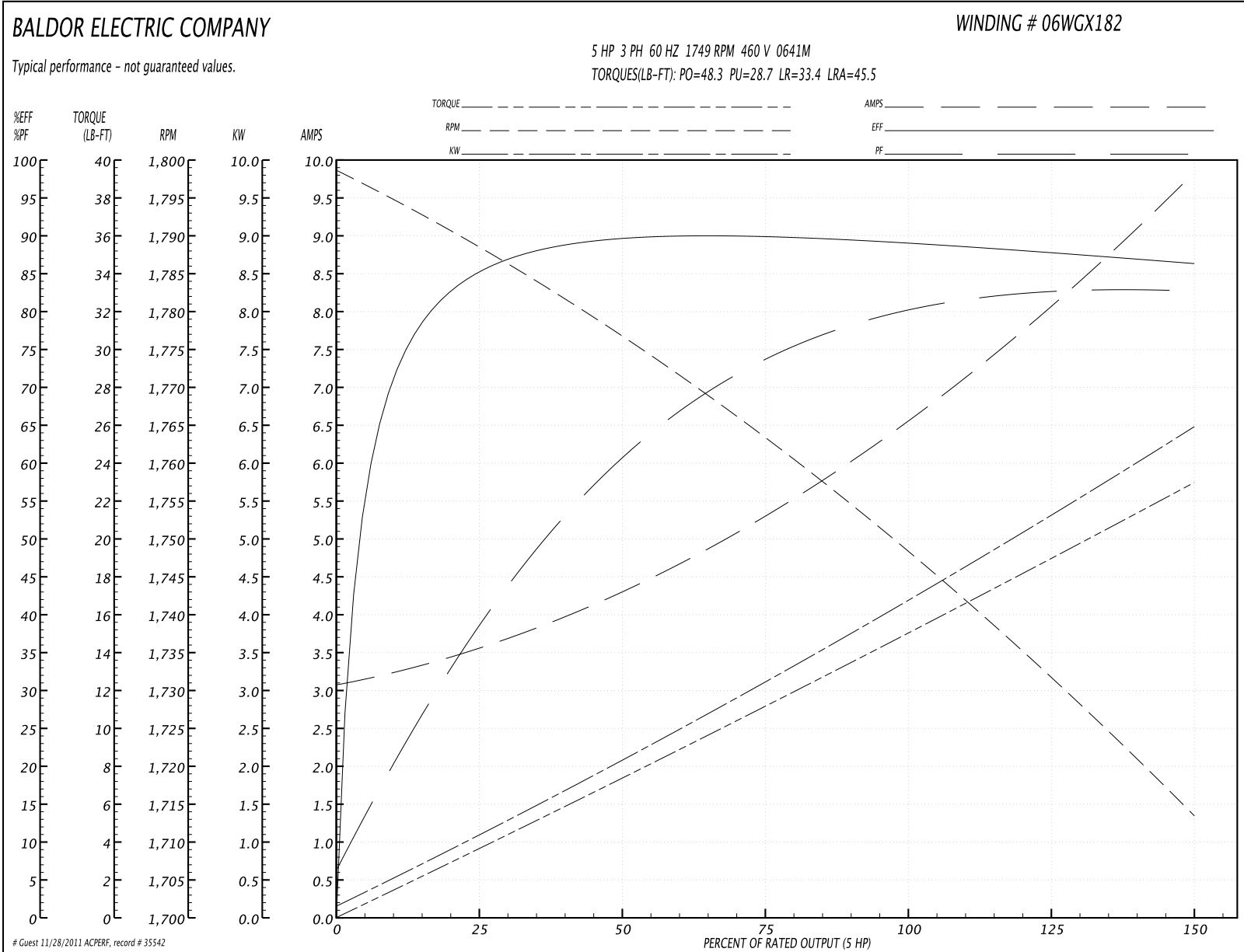
Parts List		
Part Number	Description	Quantity
SA201242	SA 06J001X182G1	1.000 EA
RA188545	RA 06J001X182G1	1.000 EA
36FN3000C01SP	EXFN, PLASTIC, 5.25 OD, .912 ID	1.000 EA
HW3201A05	3/8-16 EYEBOLT	1.000 EA
07CB1000A02	CONDUIT BOX, MODEL 306,EXP. PROOF	1.000 EA
10XN2520A12	O1/4-20X 3/4 HEX HEAD CAP	4.000 EA
HW1001A25	LOCKWASHER 1/4, ZINC PLT .493 OD, .255 I	4.000 EA
WD1000B17	KPA-8C BURNDY TERMINAL	1.000 EA
51XN1032A06	10-32 X .38 HEX SLOTTED SERRATED WASHER	1.000 EA
06EP1706A01	SPECIAL FRONT ENDPLATE X06M - TEFC	1.000 EA
HW4500A19	1/4-28X1/4 SLOTTED PLUG F/S	2.000 EA
10XN3118K20	5/16-18 X 1 1/4 GRADE 5 STEEL ZC PLATED	4.000 EA
HW1001A31	LOCKWASHER 5/16, ZINC PLT.591 OD, .319 I	4.000 EA
HW5100A05	WVY WSHR F/205 & 304 BRGS	1.000 EA
36EP1701A07	PULLEY ENDPLATE 06X 206 BRG	1.000 EA
HW4500A19	1/4-28X1/4 SLOTTED PLUG F/S	2.000 EA
10XN3118K20	5/16-18 X 1 1/4 GRADE 5 STEEL ZC PLATED	4.000 EA
HW1001A31	LOCKWASHER 5/16, ZINC PLT.591 OD, .319 I	4.000 EA
51XB1214A16	12-14X1.00 HXWSSLD SERTYB	1.000 EA
06FH1003A01	FAN COVER, CAST X-PROOF--MACHINING	1.000 EA
51XN1032A14	10-32 X 0.875 HX WS SL SR	4.000 EA
07CB1500A01	CONDUIT BOX LID MACH	1.000 EA
10XN2520A16	1/4-20 X 1 HEX HEAD CAP SCR, ZINC PLATED	4.000 EA
HW1001A25	LOCKWASHER 1/4, ZINC PLT .493 OD, .255 I	4.000 EA

Parts List (continued)		
Part Number	Description	Quantity
HW2501E16	KEY, 1/4 SQ X 1.750	1.000 EA
HA7000A02	KEY RETAINER RING, 1 1/8 DIA, 1 3/8 DIA	1.000 EA
LB1081	LABEL CSA XPROOF	1.000 EA
LB1115	LABEL,LIFTING DEVICE	1.000 EA
85XU0407S04	4X1/4 U DRIVE PIN STAINLESS	6.000 EA
MJ1000A75	GREASE, POLYREX EM EXXON	0.050 LB
MG1025N19	PAINT, 778.50 WILKO, RELIANCE ELEC GREEN	0.028 GA
LB1119	WARNING LABEL	1.000 EA
LB1125C02	SUPER-E (STOCK CTN LABEL SUPER-E WITH FL	1.000 EA
LC0145B01	CONNECTION LABEL	1.000 EA
LB1357	ENERGY GUIDE LABEL (BOX LABEL)	1.000 SH
NP1426XP	UL/CSA, CLI GP-D,CLII GP-F&G,CC	1.000 EA
37PA1052	PACKAGING GROUP, 150 LB MTR 2 X 4 RUNNER	1.000 EA

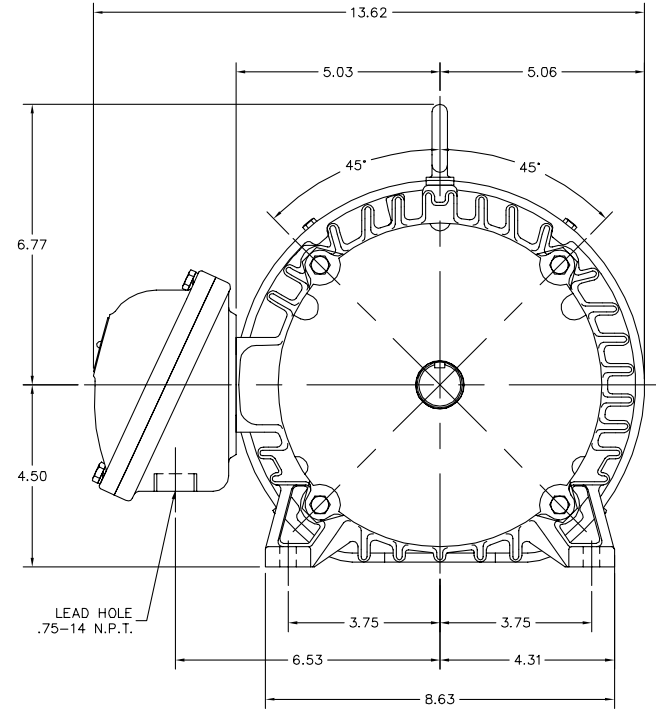
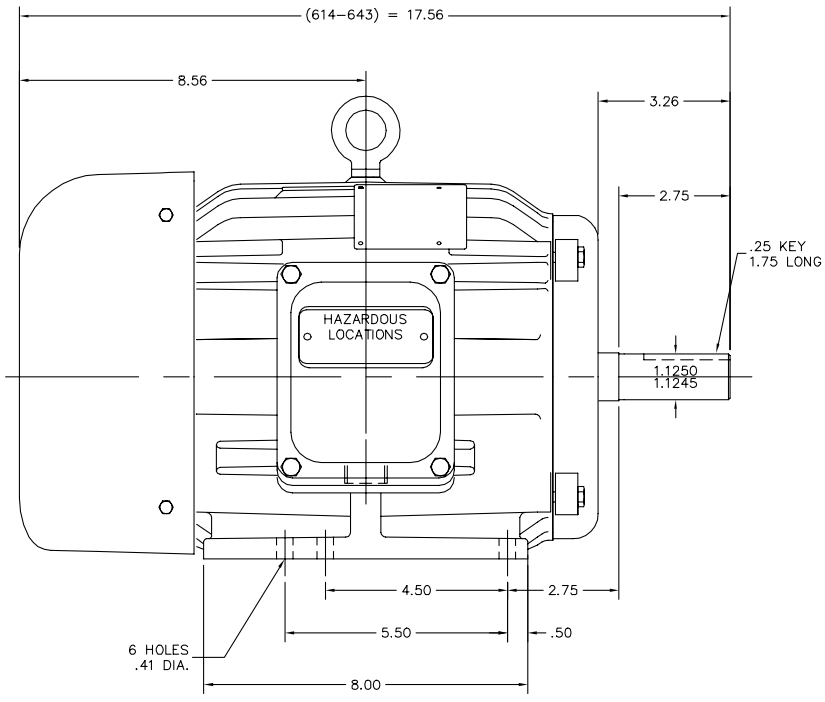
Performance Data at 460V, 60Hz, 5.0HP (Typical performance - Not guaranteed values)

General Characteristics							
Full Load Torque:	15.0 LB-FT			Start Configuration:	DOL		
No-Load Current:	3.15 Amps			Break-Down Torque:	48.3 LB-FT		
Line-line Res. @ 25°C.:	2.47 Ohms A Ph / 0.0 Ohms B Ph			Pull-Up Torque:	28.7 LB-FT		
Temp. Rise @ Rated Load:	52 C			Locked-Rotor Torque:	33.4 LB-FT		
Temp. Rise @ S.F. Load:	64 C			Starting Current:	45.5 Amps		
Load Characteristics							
% of Rated Load	25	50	75	100	125	150	S.F.
Power Factor:	41.0	62.0	74.0	79.0	82.0	83.0	0.0
Efficiency:	84.7	89.6	89.6	89.2	88.2	86.1	0.0
Speed:	1788.0	1776.0	1763.0	1749.0	1732.0	1713.0	0.0
Line Amperes:	3.48	4.26	5.34	6.63	8.11	9.79	0.0

Performance Graph at 460V, 60Hz, 5.0HP Typical performance - Not guaranteed values



06LYJ001



CUSTOMER IS RESPONSIBLE FOR DETERMINING THAT MOTOR PERFORMANCE IS SUITABLE IN THE APPLICATION.

REV. DESC: UPDATE TO INCLUDE 643 STACK		
REV. LTR: D	VERSION: 01	TDR: 000000460249
FILE: \AAA\00000\715	REVISED: 08:40:52 03/26/2008	BY: ENSTEKO
MTL: -		

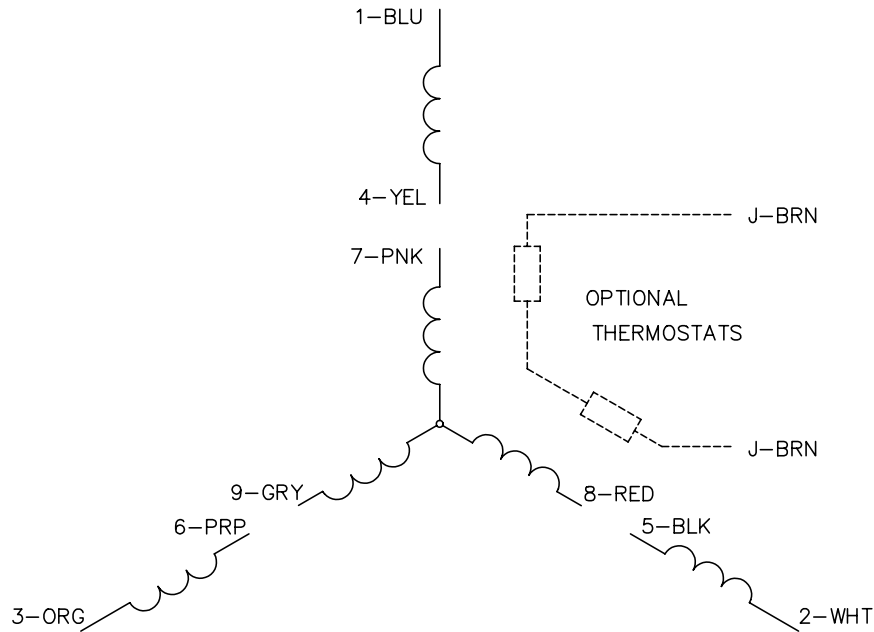
BALDOR • DODGE • RELIANCE

STD HOR 182-4T XPFC 306M CL 1 GP D, CL 2 GP F & G

SH 1 of 1

06LYJ001

CD0005

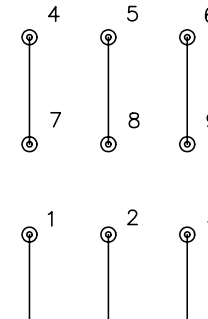


LOW VOLTAGE
(2Y)



LINE

HIGH VOLTAGE
(1Y)



LINE

NOTES:

1. INTERCHANGE ANY TWO LINE LEADS TO REVERSE ROTATION.
2. OPTIONAL THERMOSTATS ARE PROVIDED WHEN SPECIFIED.
3. ACTUAL NUMBER OF INTERNAL PARALLEL CIRCUITS MAY BE A MULTIPLE OF THOSE SHOWN ABOVE.
4. LEAD COLORS ARE OPTIONAL. LEADS MUST ALWAYS BE NUMBERED AS SHOWN.

REV. DESC: REVISE TO SHOW OPTIONAL COLORS			
REV. LTR: E	BY: JLP	REVISED: 01/19/99 10:15	TDR: 0171435
900000		FILE: AAA00005140	MDL: -
		MTL: -	

BALDOR ELECTRIC Co.

3PH, DV, 9 LEADS

CD0005